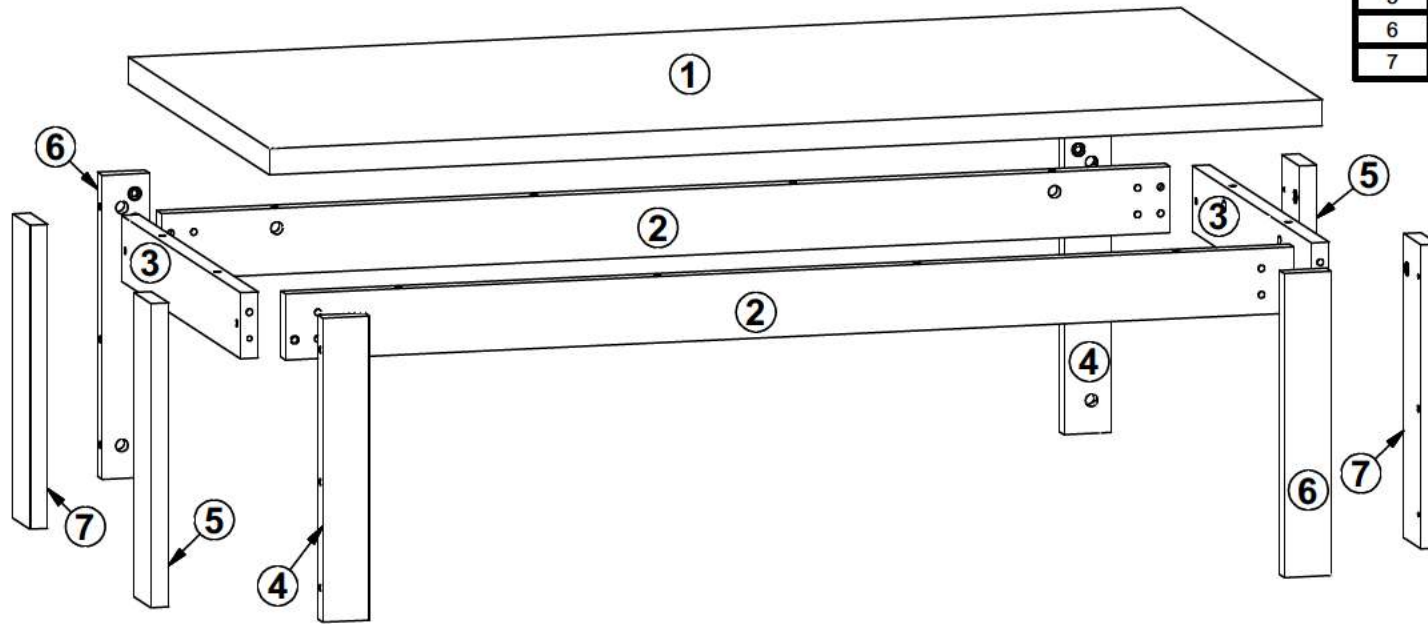
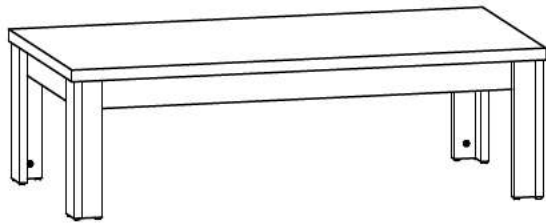
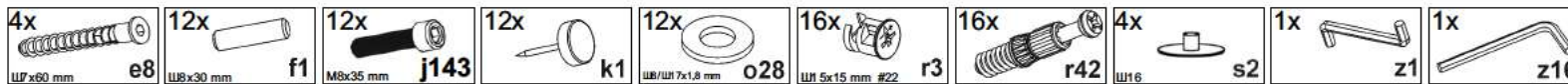
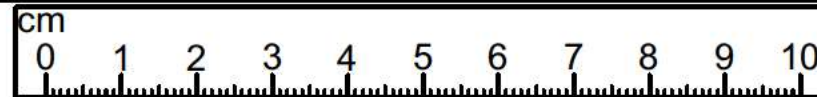


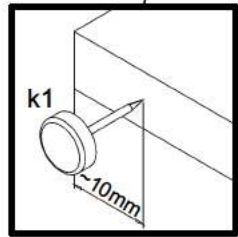
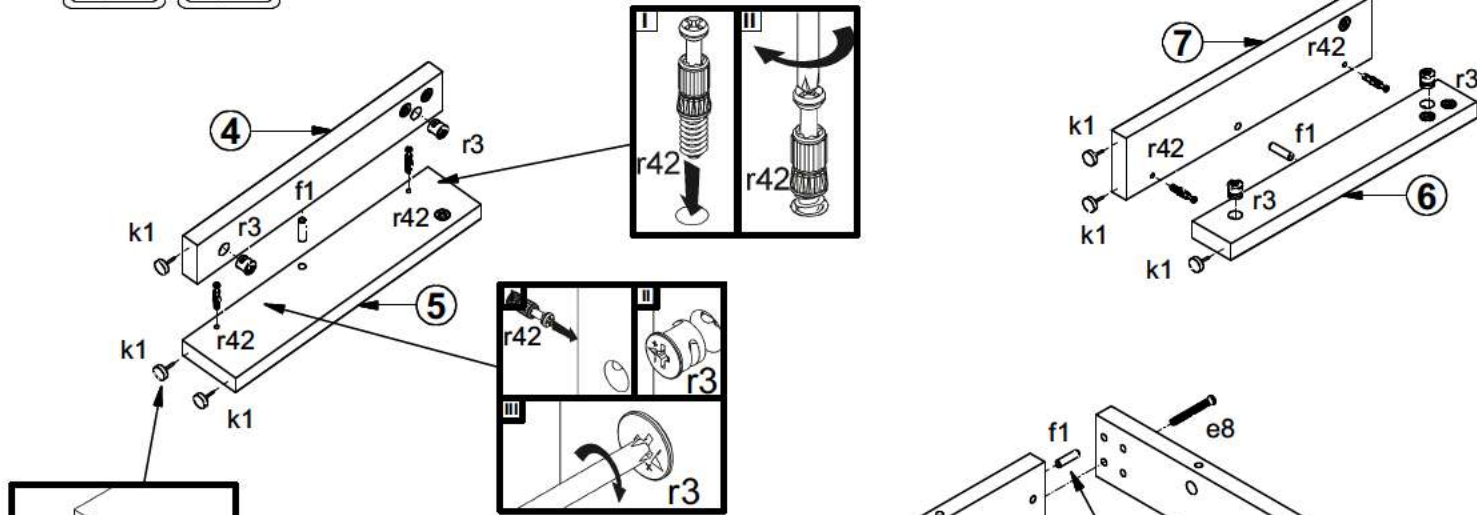
60 min



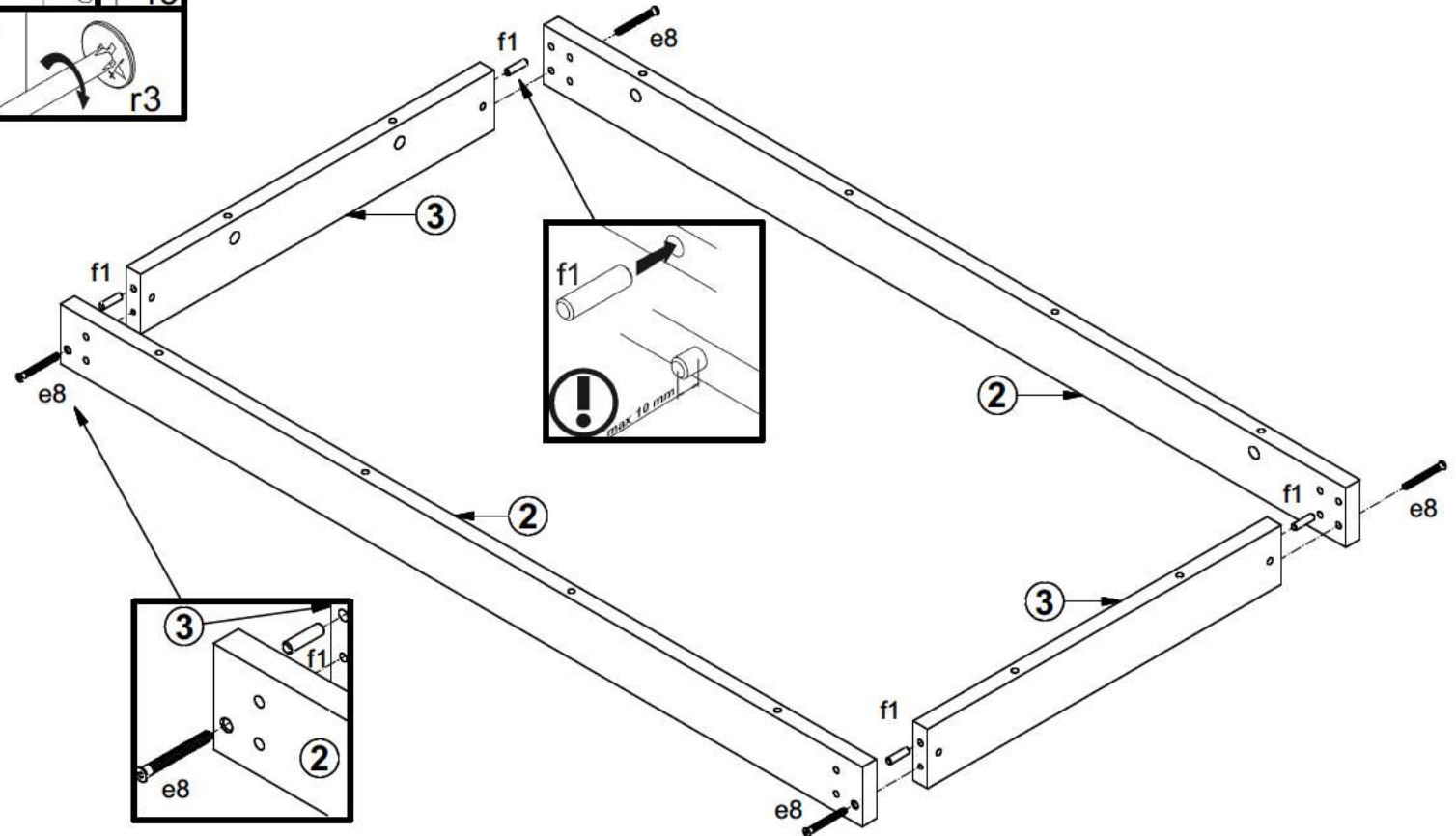
A	B	C (mm)		D
1	S214 209	1300	650	1/1
2	S214 406	1245	80	1/1
3	S214 407	549	80	1/1
4	S214 5528	368	58	1/1
5	S214 5529	368	80	1/1
6	S214 5530	368	58	1/1
7	S214 5531	368	80	1/1

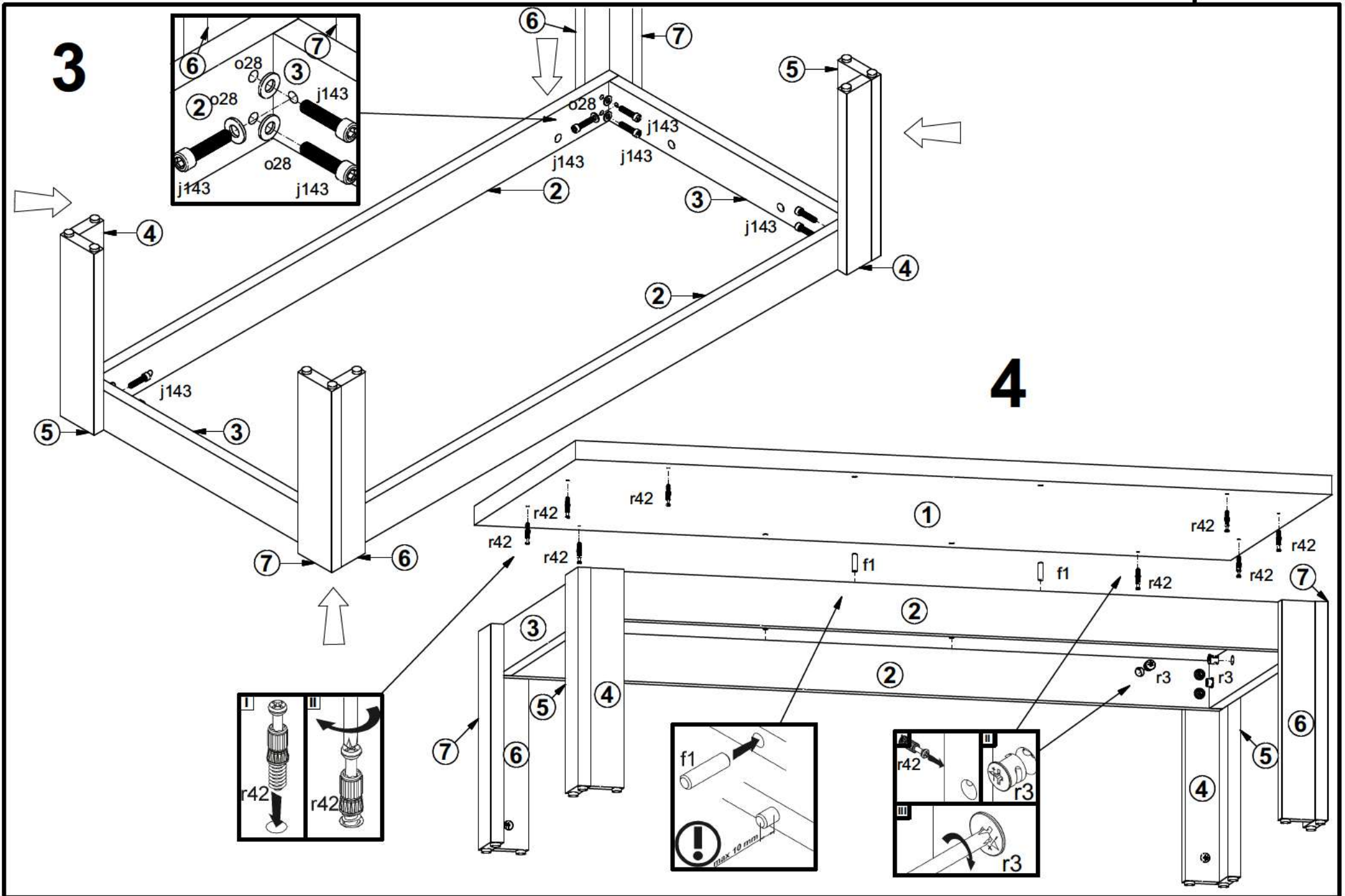


1  



2





5

