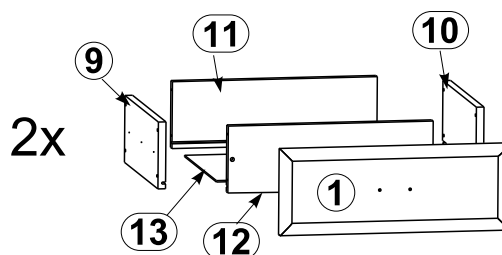
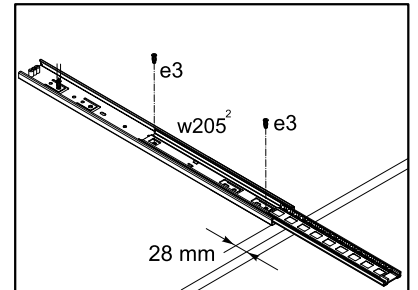
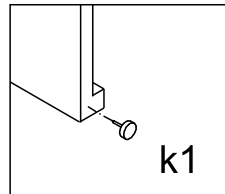
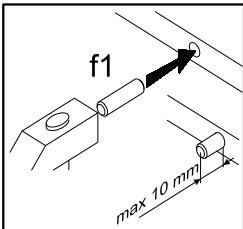
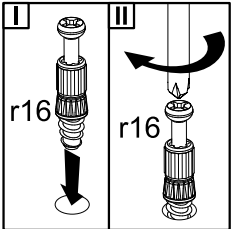
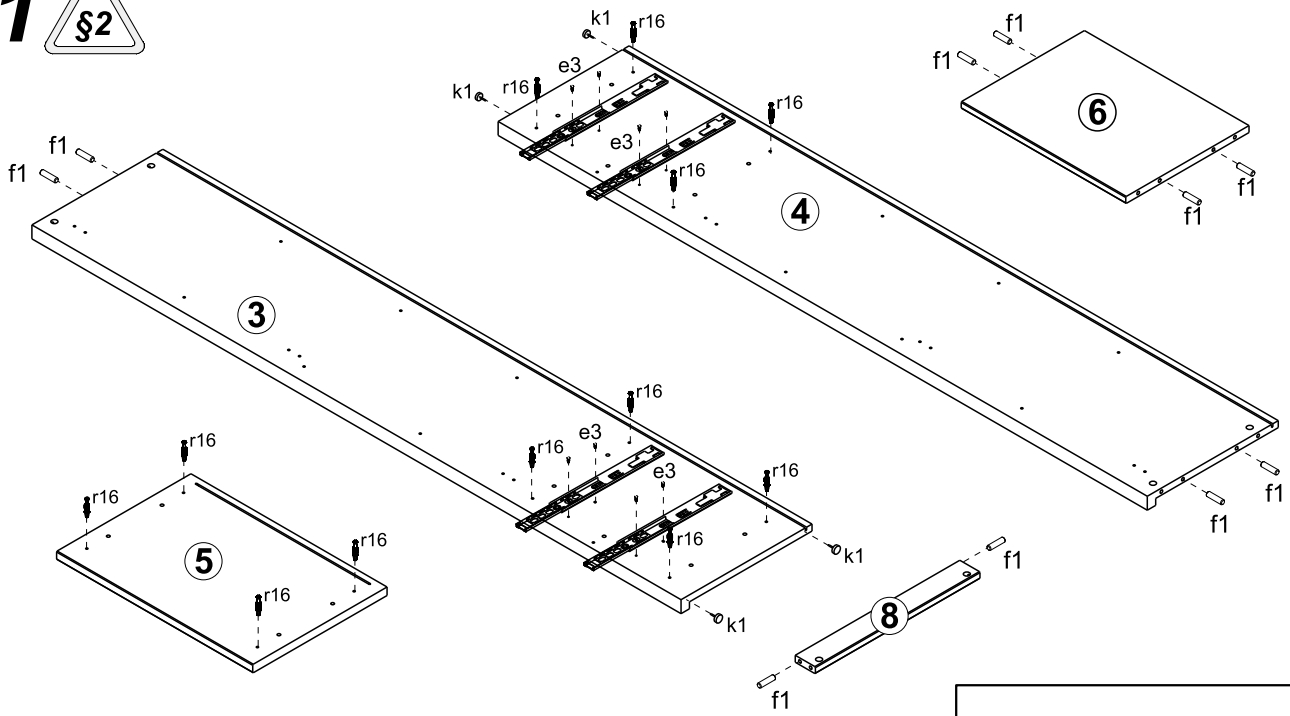


A	B	C		D
1	KN1-004	484	180	3/4
2	KN1-015	1436	484	4/4
3	KN1-123	1933	390	2/4
4	KN1-124	1933	390	2/4
5	KN1-208	584	400	1/4
6	KN1-321	490	367	1/4
7	KN1-315	490	347	2/4
8	KN1-401	490	60	1/4
9	KN1-565	300	140	1/4
10	KN1-566	300	140	1/4
11	KN1-555	432	140	2/4
12	KN1-556	432	140	2/4
13	KN1-920	447	281	1/4
14	KN1-921	1872	251	2/4
15	KN1-922	1872	251	2/4
16	LH-1849	1849	14	2/4

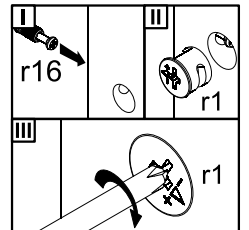
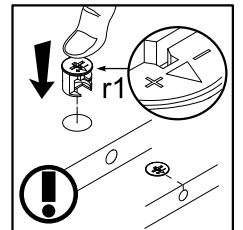
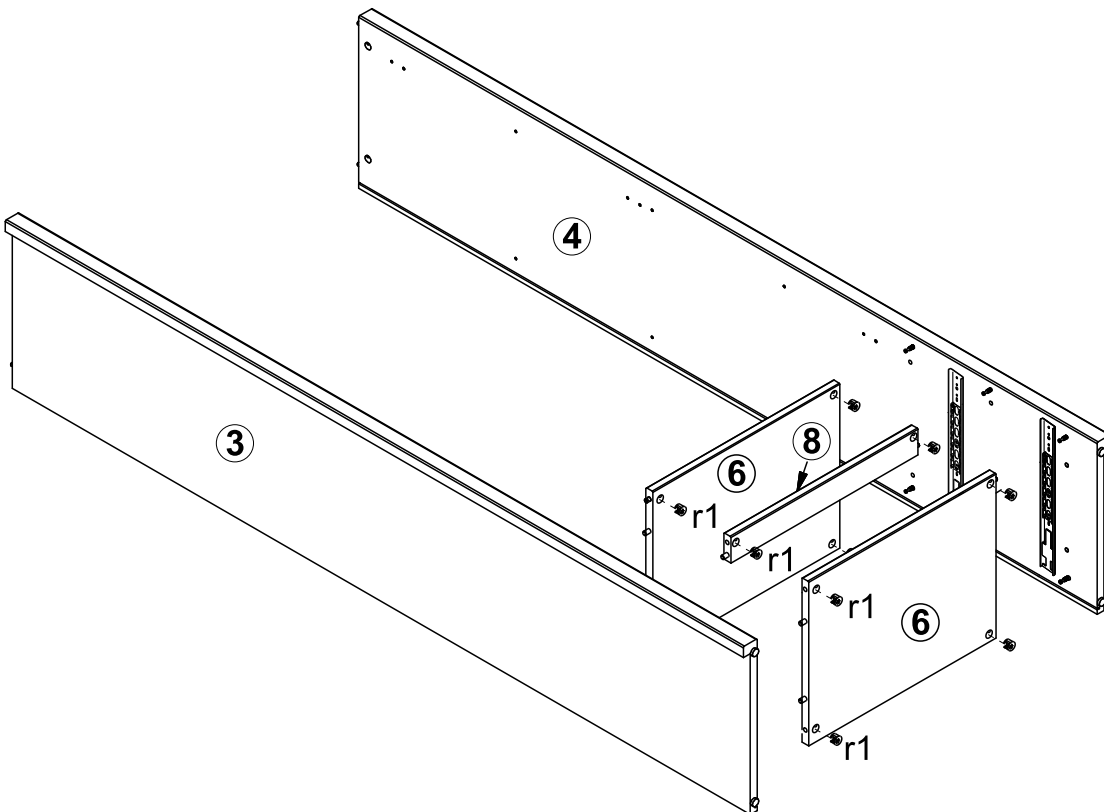


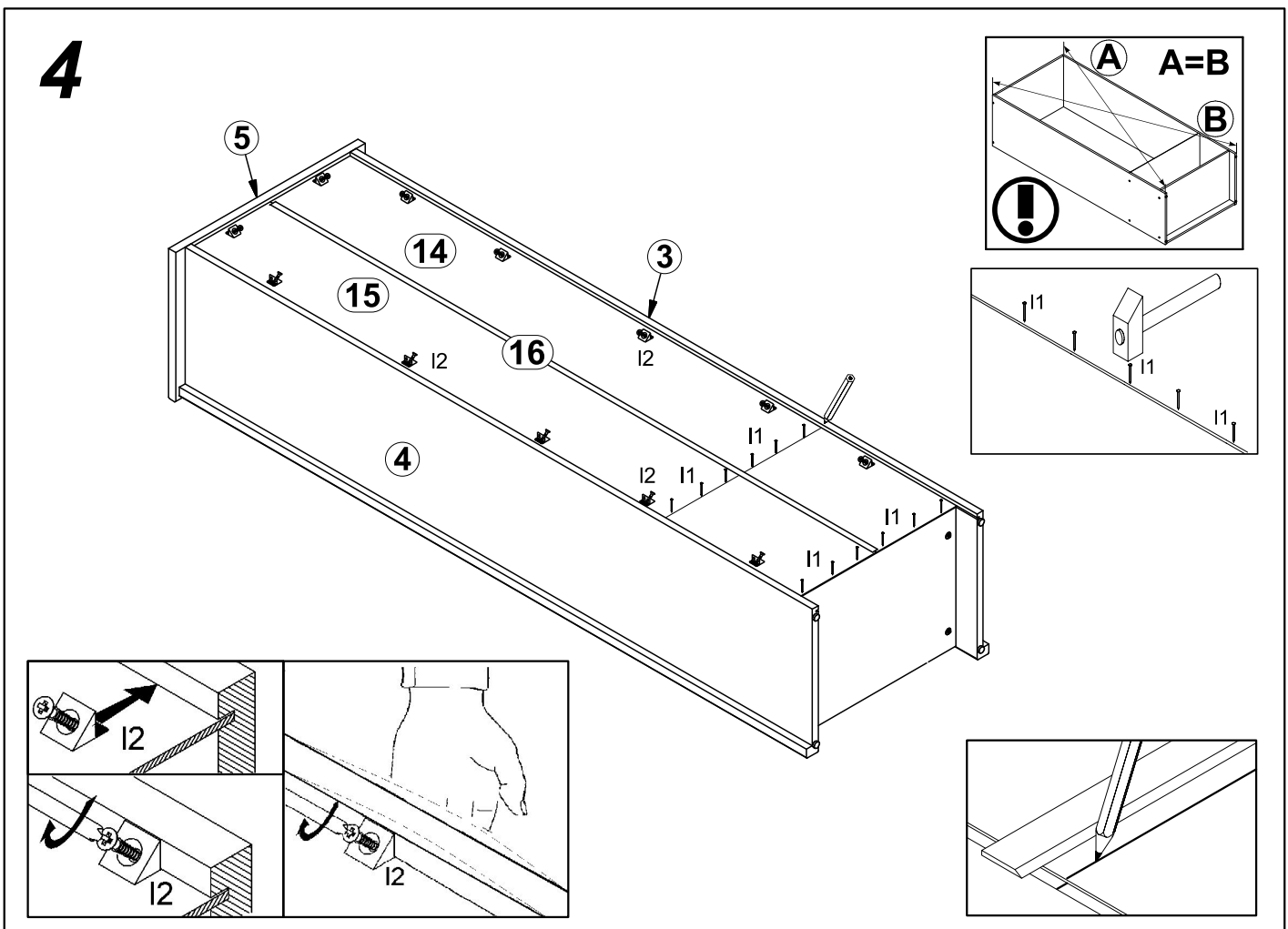
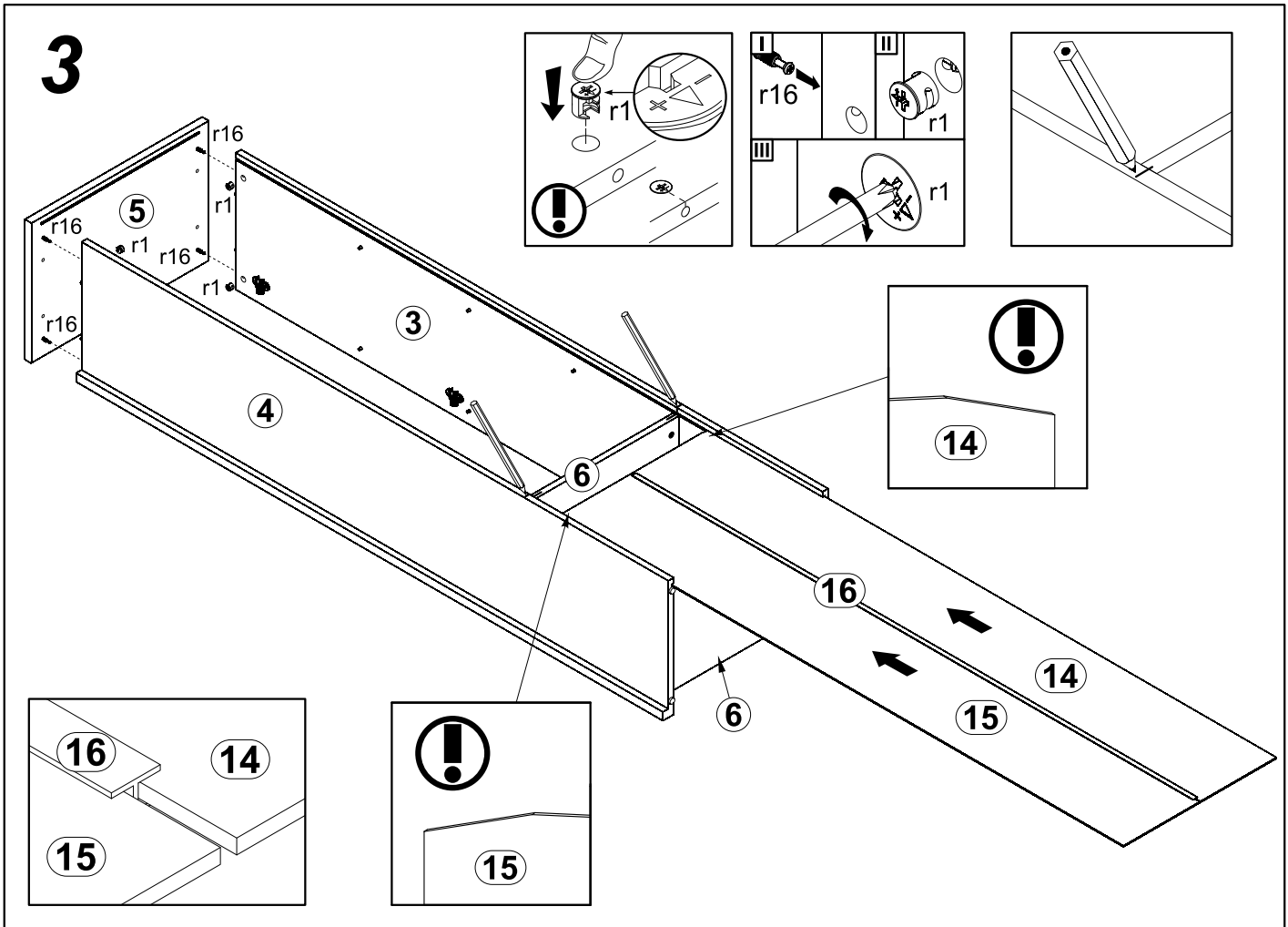
14x φ8x30 mm f1	4x k1	12x l2	14x r16	14x φ15x12mm #16 r1	16x φ5x50 mm e32	1x n2611	2x φ6,5/φ10x5,2mm o27
8x φ6x13 mm e3	8x φ3,5x12 mm p140	4x φ16 s2	1x φ3,5x16 mm p38	4x φ7x28 mm e22	4x M4x14 mm j29	10x l1	2x M4x10 mm j106
2x a43	1x a206	2x b19	1x D2 b59	12x φ,5x16mm d1	3x c434	2x φ5/φ10x1,4mm o26	6x φ3,5x15 mm p51
4x w205 ¹ 300 mm	4x w205 ² 300 mm	1x z1	6x φ5 s4				

1

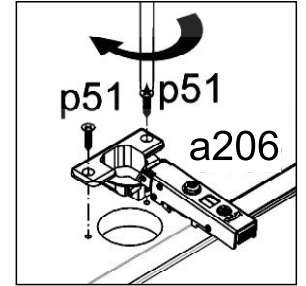
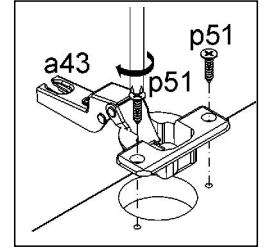
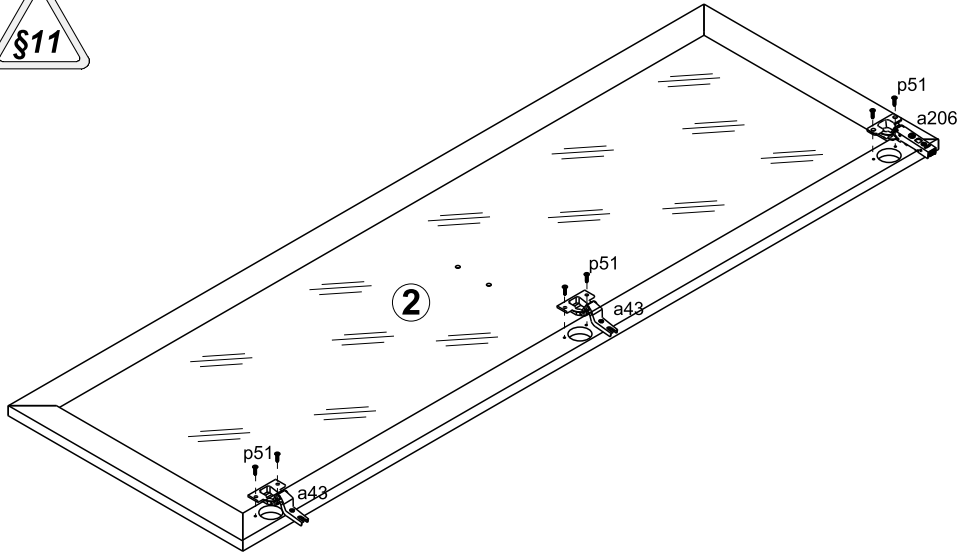


2





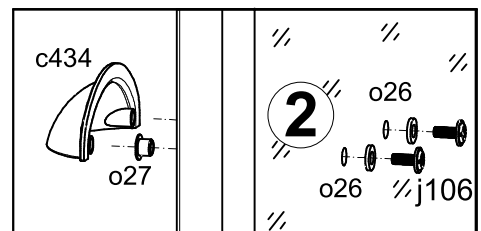
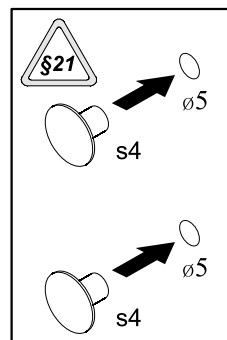
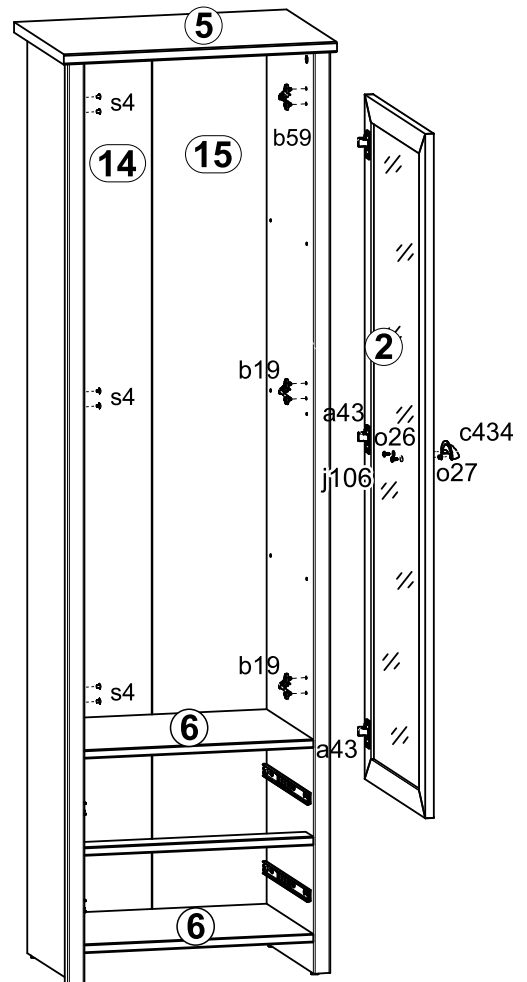
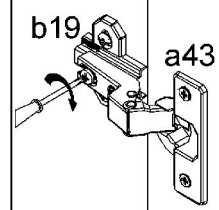
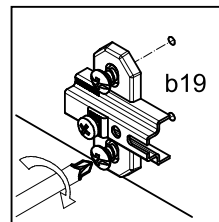
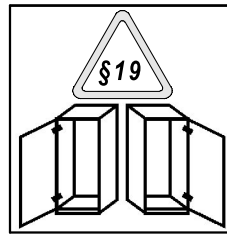
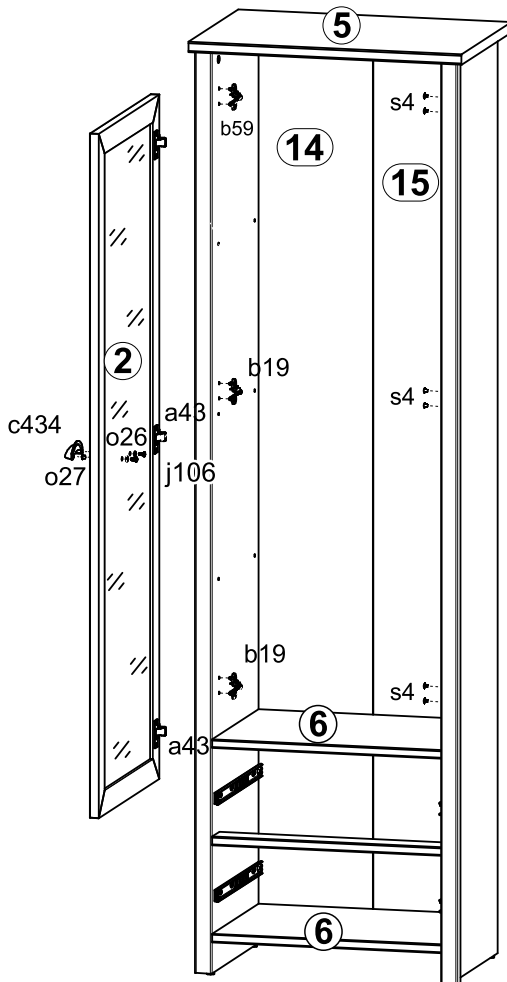
5



6

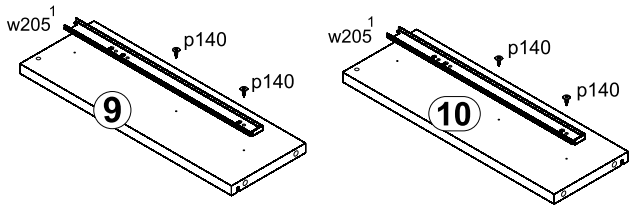
L

R

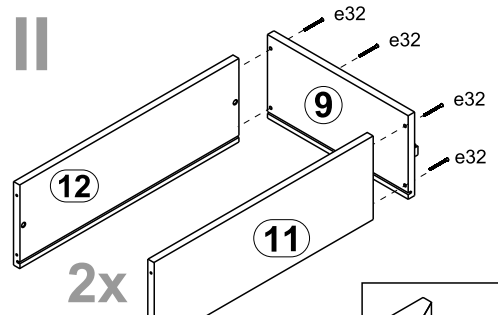


7

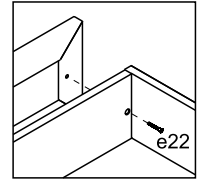
2x



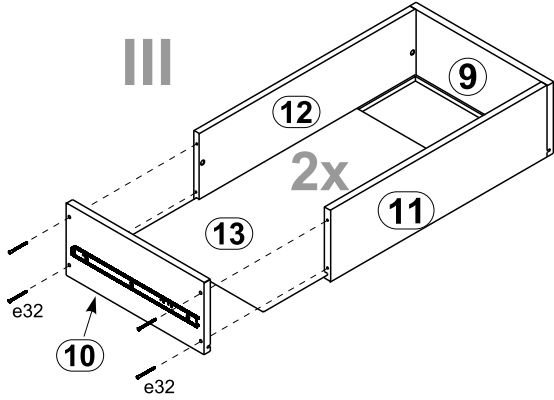
II



2x

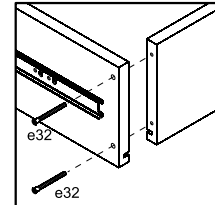
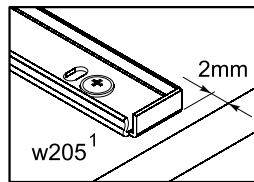
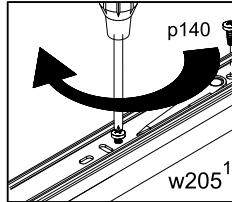
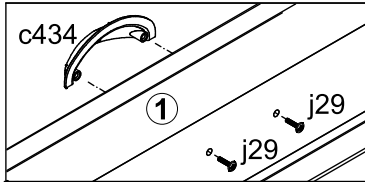
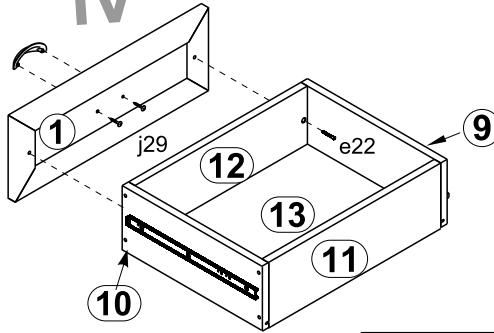


III



2x

IV



8

