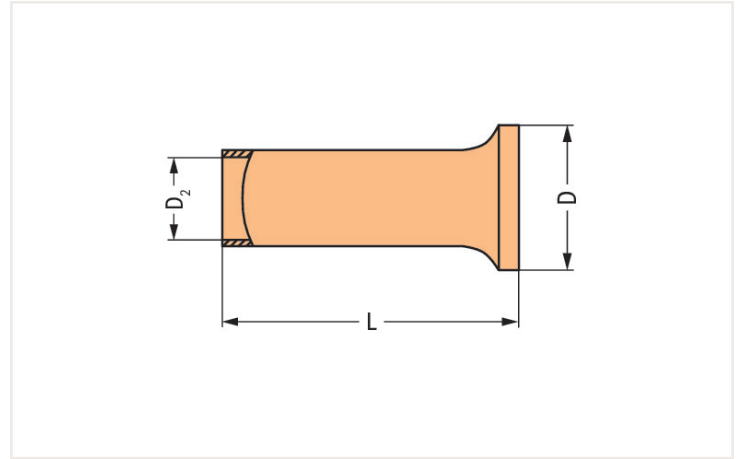


Data sheet | Item number: 216-143

Ferrule; Sleeve for 1 mm² / AWG 18; uninsulated; electro-tin plated; electrolytic copper; gastight crimped; acc. to DIN 46228, Part 1/08.92

<https://www.wago.com/216-143>



Dimensions in mm

Technical data

Main product function	Ferrule
Sleeve cross-section (AWG)	18 AWG
Sleeve for	1 mm ²

Connection data

Strip length	10 mm / 0.39 inches
--------------	---------------------

Physical data

Length	10 mm
Diameter	2.5 mm
Diameter 2	1.4 mm

Material data

Fire load	0 MJ
Weight	0.1 g

Downloads

Environmental Product Compliance



Compliance Search

Environmental Product
Compliance 216-143

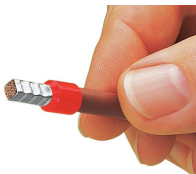


Documentation

Bid Text

216-143	19.02.2019	xml 2.87 KB	
216-143	13.06.2017	doc 23.00 KB	

Installation notes



A perfect gas-tight crimp – both electrical-ly and mechanically reliable