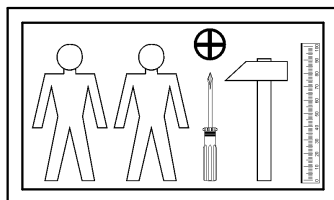
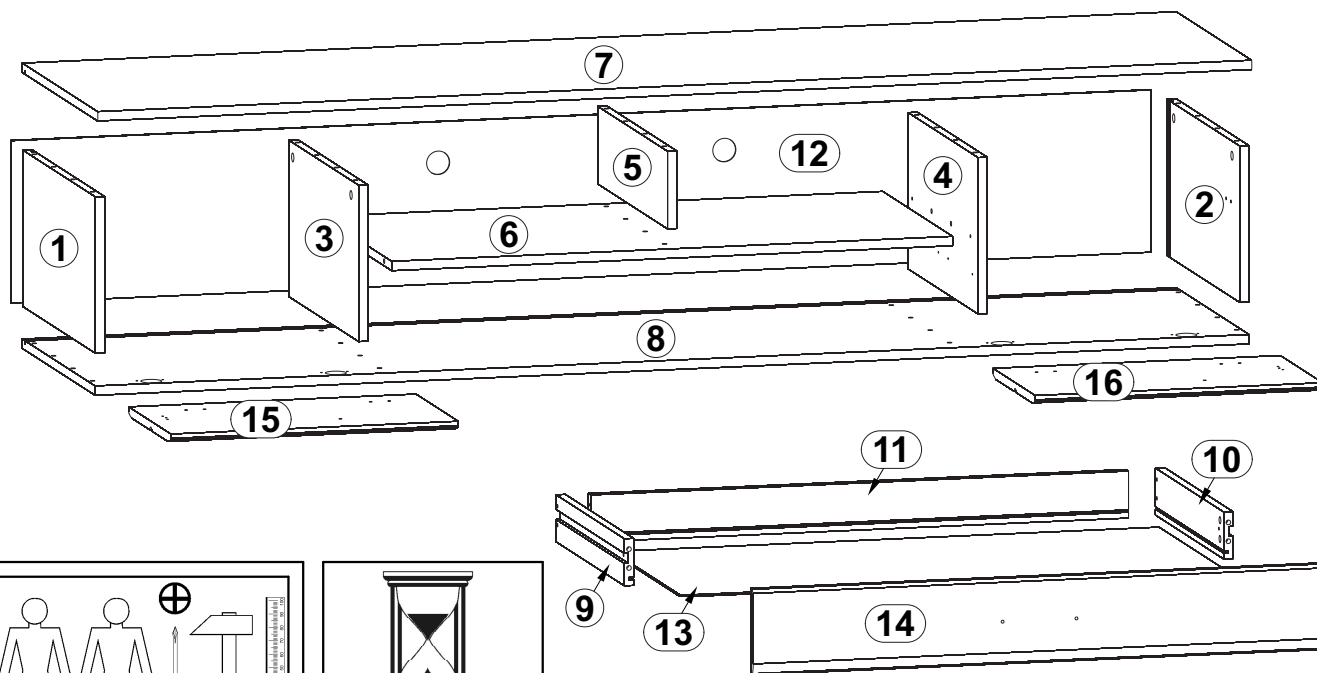
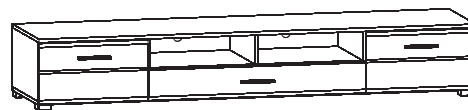


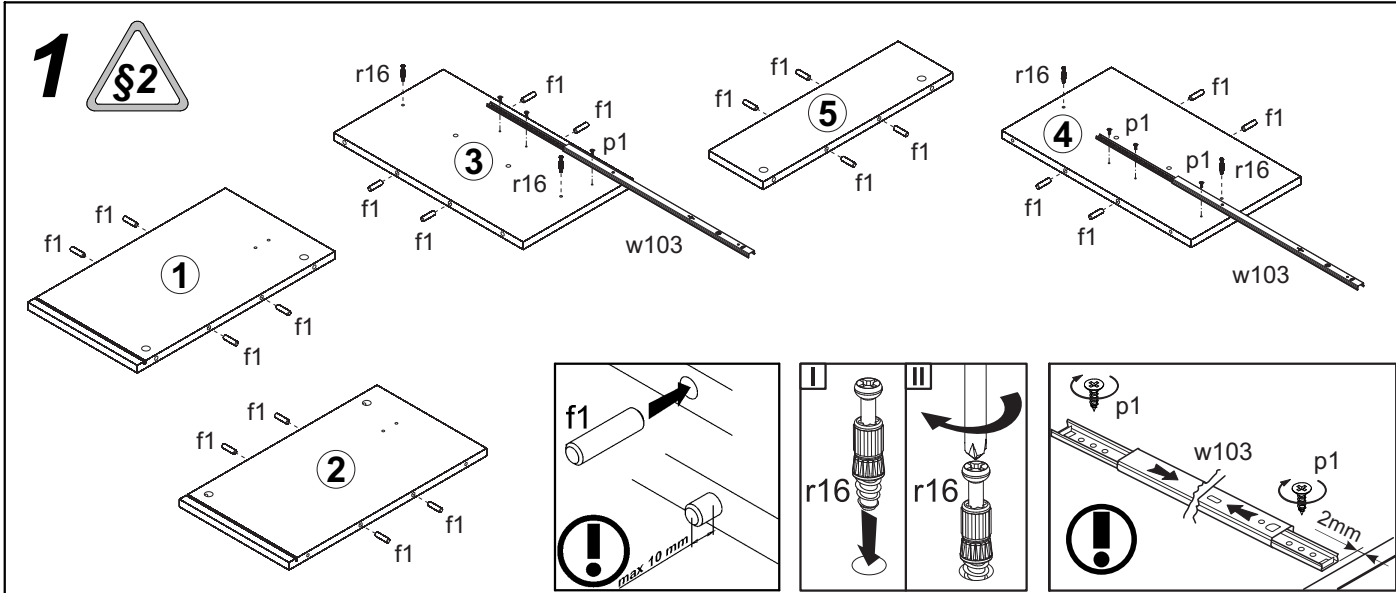
# ВУШЕР

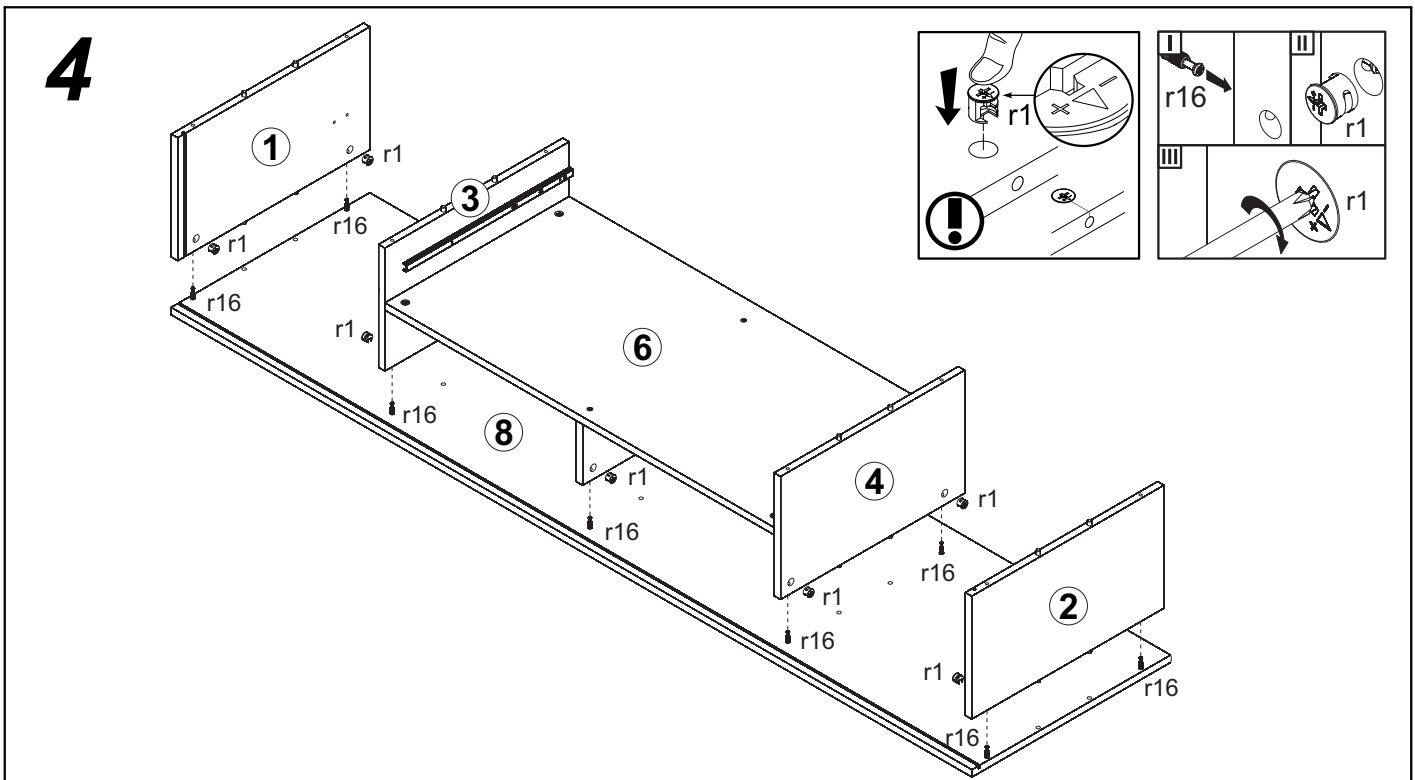
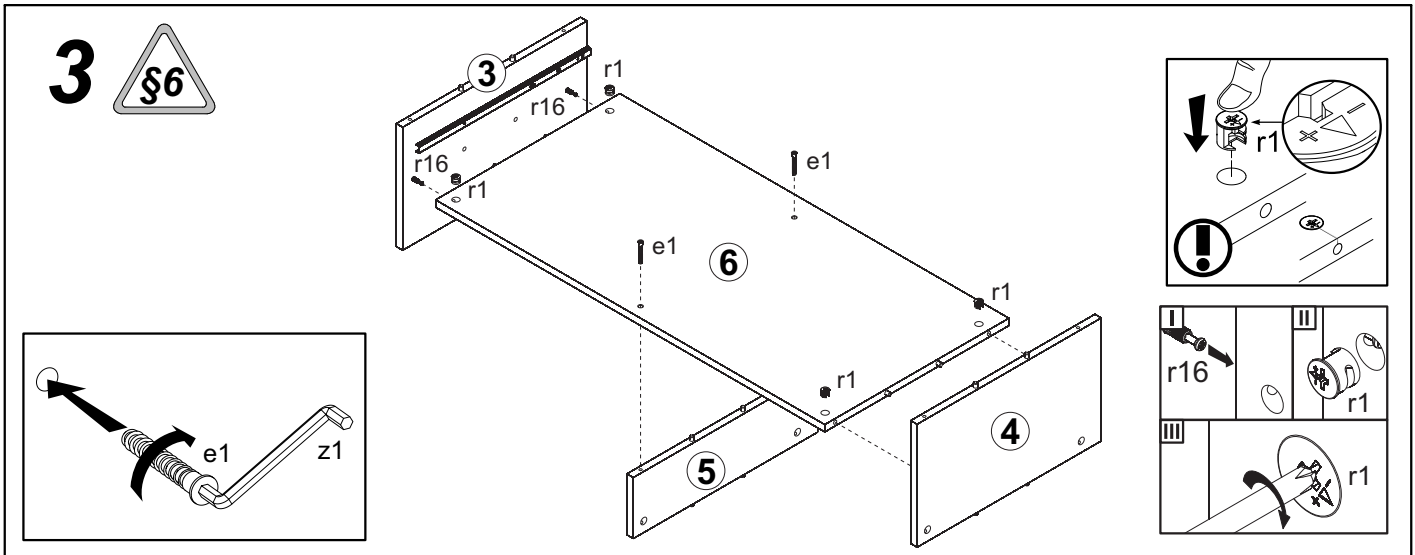
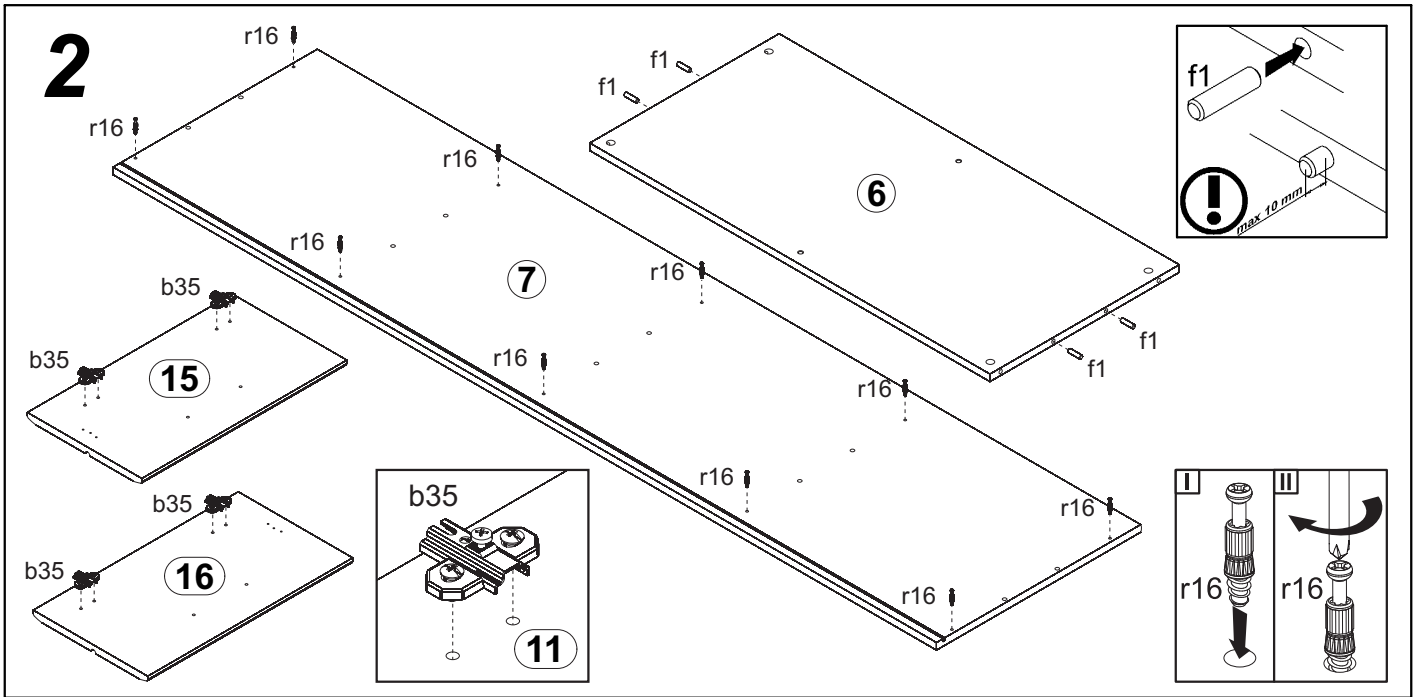
Тумба\_RTV2D1S

A	B	C	D	A	B	C	D		
1	S154-120	266	480	2/2	9	S154-501	450	80	2/2
2	S154-123	266	480	2/2	10	S154-502	450	80	2/2
3	S154-122	266	460	2/2	11	S154-520	932	80	2/2
4	S154-124	266	460	2/2	12	S154-920	1976	276	1/2
5	S154-125	132	460	2/2	13	S154-923	947	448	2/2
6	S154-312	972	460	2/2	14	S154-025	992	146	1/2
7	S154-218	2000	498	1/2	15	S154-026	498	278	1/2
8	S154-217	2000	480	1/2	16	S154-027	498	278	1/2

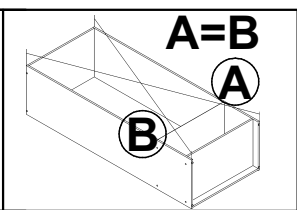
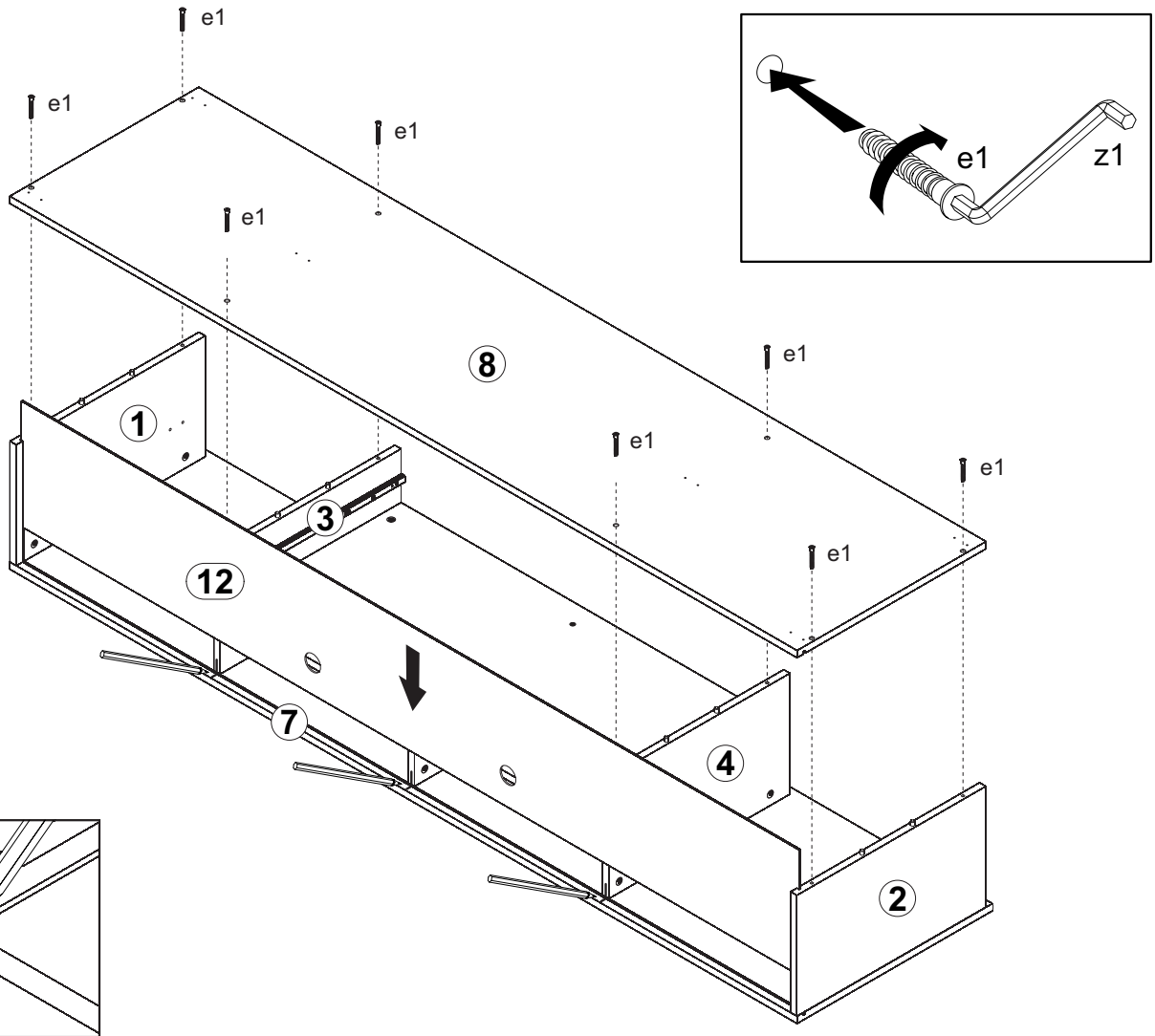


4x K16 a43	4x D3 b35	3x c253 <sup>3</sup>	10x φ7x50 mm e1	4x φ6,3x13 mm e5	4x φ5x50 mm e32	24x φ8x30 mm f1	2x M4x12 mm j3	6x k55
18x l1	18x l2	2x L-236 m3	12x φ3,5x13 mm p1	12x φ4x35 mm p6	6x φ4x30 mm p9	2x φ3,5x16 mm p25	8x φ3,5x15 mm p51	14x φ15x12mm #16 r1
4x φ12x10,5mm #12 r15	18x 20/9 r16	10x φ16 s2	1x 433 mm t37	2x 450 mm w103	1x z1			

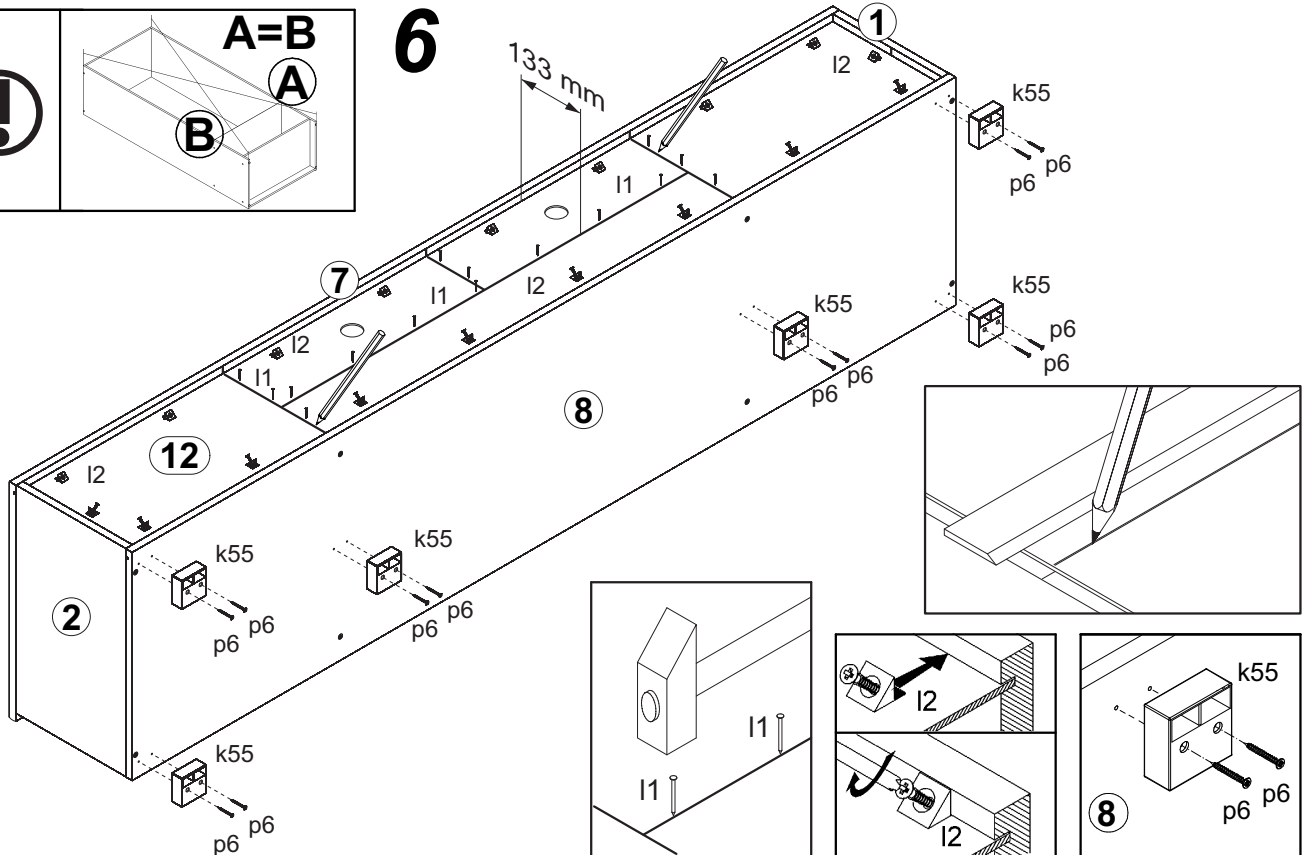




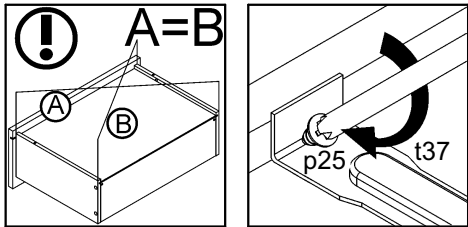
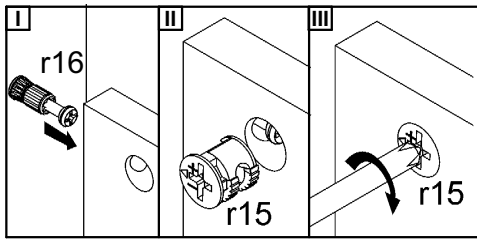
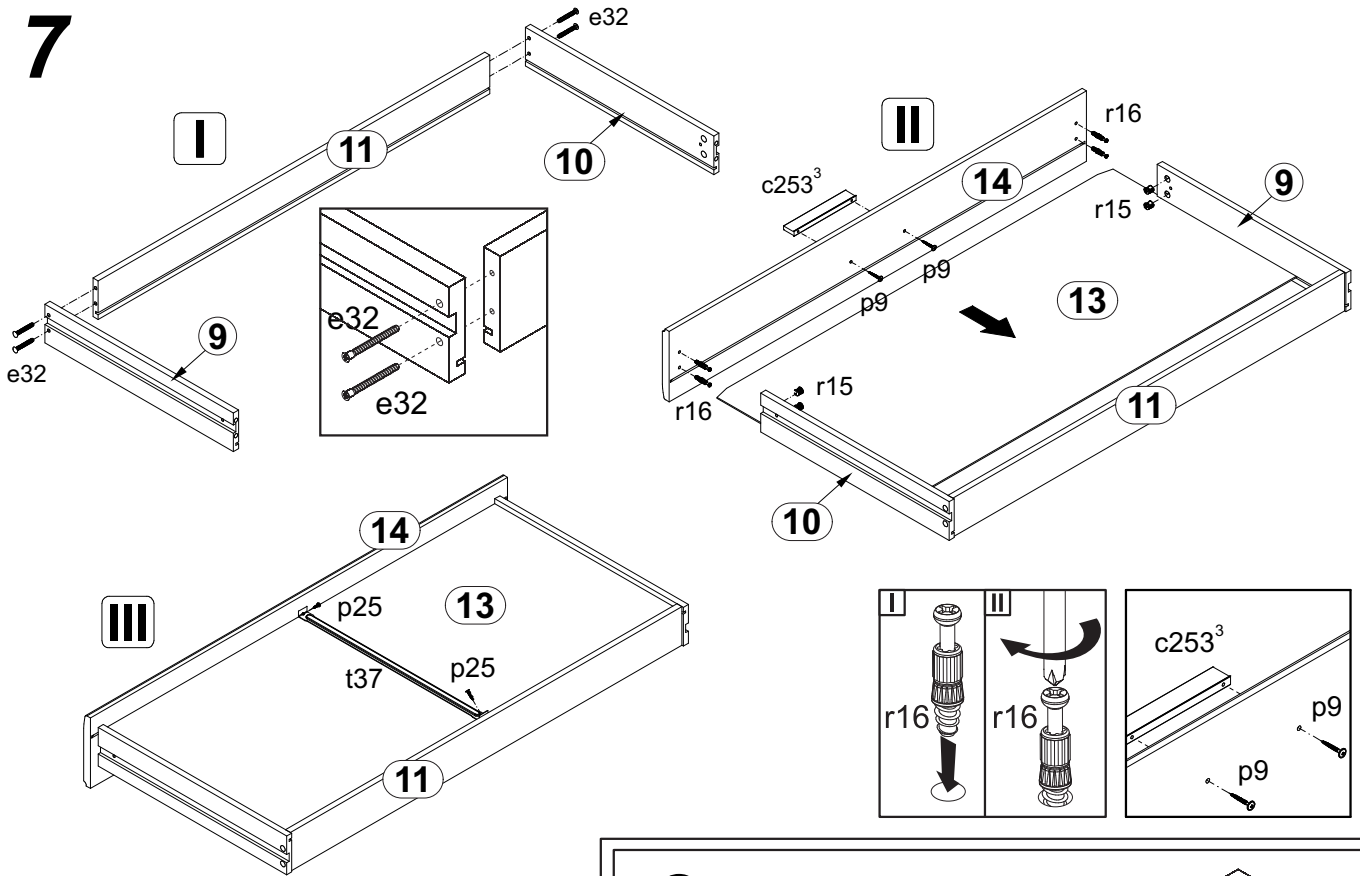
# 5



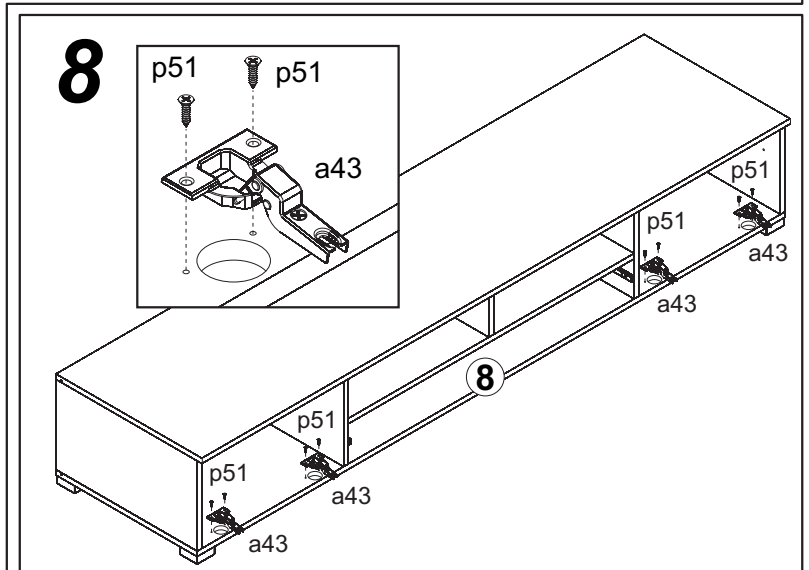
# 6



# 7



# 8



# 9

