

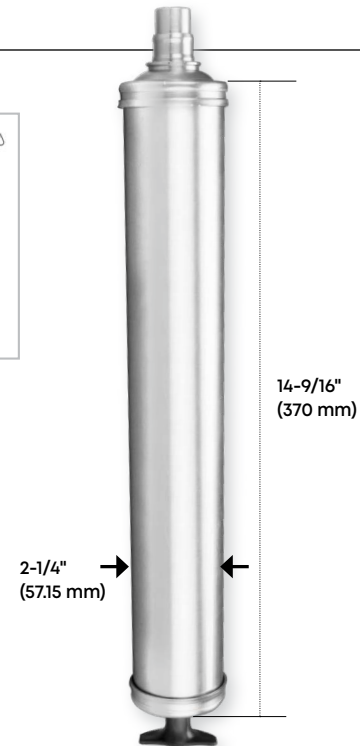
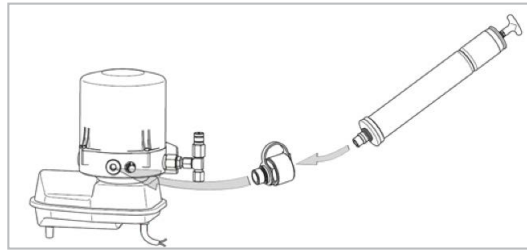
Quick Grease Filler Gun

SG-GR

Filler gun for quick filling of high viscosity grease in cylinders of Central Lubrication System

Simple method for filling grease reservoirs, reduces the chance of contamination

Manufactured from high quality zinc plated steel



ORDERING INFORMATION

CAT NR.	ORD NR.	CARTRIDGE CAPACITY		BULK CAPACITY
		(OZ.)	(GMS)	(CM ³)
SG/GR/400T	45261	14	400	700