

HARVIA CILINDRO

HPC900400M

The Harvia Cilindro Black Steel (PC 70 & PC 90) heaters contain a massive amount of stones that provide soft yet strong heat. The Pillar design distributes heat evenly thanks to the large stone surface. The heaters impressive look is highlighted by stylish black steel color that provides a modern touch for your sauna.

Advantages

- Contains a massive amount of stones that provides soft yet strong heat
- Stylish black steel color provides a modern touch for your sauna
- Fits into various types of sauna interiors and installations
- Heater is minimalistic and discreet when embedded in the sauna bench
- With integrated timer and thermostat



Features

Main material : Steel

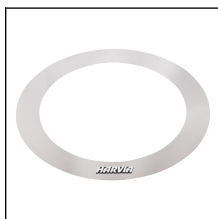
H x W x D : 930.0 x 320.0 x 320.0 mm

Net weight (kg) : 10.0

Installation location : Floor

ID	GTIN	Output (kW)	Sauna room size min - max m3
HPC900400M	6417659026475	9 kW	8.0-14.0

Related products



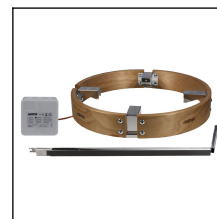
HPC1



HPC2



HPC3



HPC3L



HPC2L

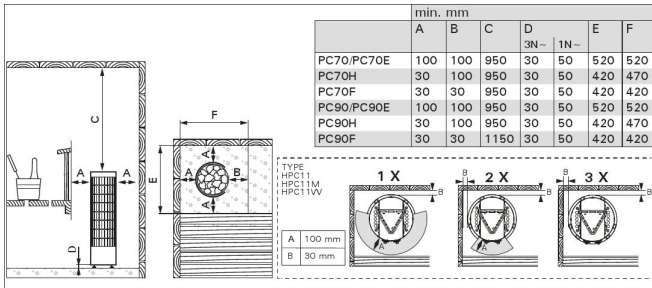
Spare parts

Product	ID	Pcs
Heating element 3000W/230V	ZSE-259	3
Thermostat knob	ZST-220	1
Timer knob	ZST-230	1
Adjustable leg	ZSA-440	
Upper triangle support Cilindro	ZSC-135	
Support plate for heating elements	ZSC-140	
	ZSC-2	
Support plate top, Cilindro	SPZSC-135	
Support plate middle	SPZSC-140	
Heating element 3000W 230V	SPZSE-259	3
Knob thermostat KIP/M/PC/QR/FG, black	SPZST-220	
Knob timer 4+8 KIP/M/PC/QR/FG, black, black	SPZST-230	

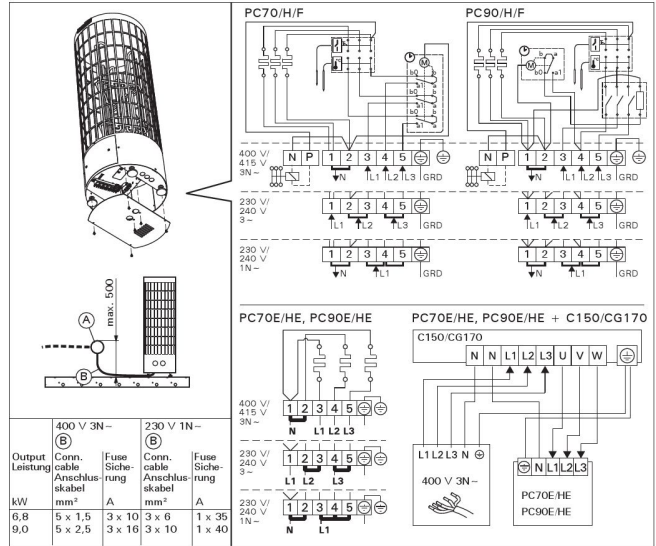
Technical details

Technical data	Type / attribute	HPC900400M
	Color	Black Steel
	Power output	9 kW
	Stone sizes	Ø5–10 cm
	Stone amount (kg)	80
Dimensions	Product width	320
	Product height	930
	Product depth (mm)	320
	Net weight (kg)	10
	Gross weight	11.4
	Package width	330
	Package height	975
	Package depth	330
Safety and installation dimensions	Safety distance front (non-combustible materials)	100
	Safety distance front (combustible materials)	100
	Safety distance right side (combustible materials)	100
	Safety distance right side non-combustible materials	100
	Safety distance left side (combustible materials)	100
	Safety distance left side non-combustible materials	100
	Safety distance side (non-combustible materials)	100
	safety distance to the side wall (combustible materials)	100
	Safety distance behind (non-combustible materials)	100
	Safety distance behind (combustible materials)	100
	Safety distance (Ceiling)	950
	Room min. height(depends on connections and therefore from output, star/delta)	1900
	Installation opening height	1900
Installation opening width	560	
Installation opening depth	520	

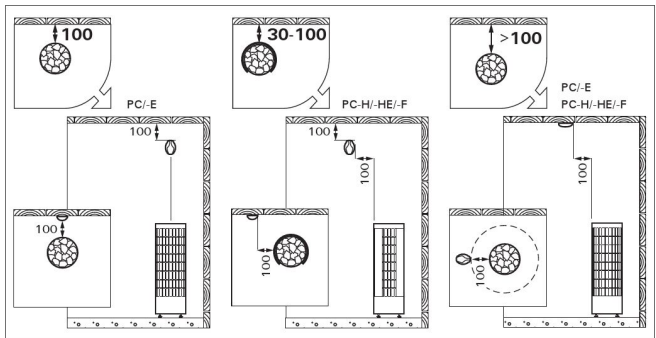
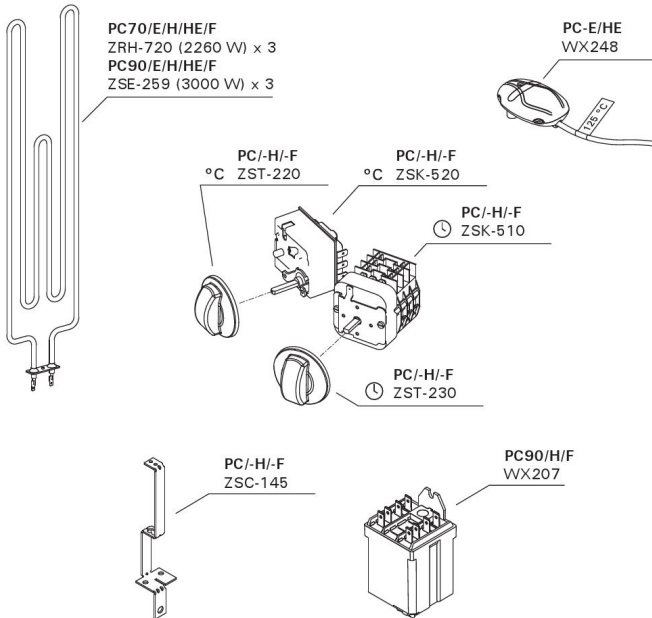
Technical images



Safety distances (all dimensions in millimeters)



Electrical connections



Installing the sensor (all dimensions in millimeters)

We recommend to use only the manufacturer's spare parts.