

HARVIA CILINDRO

HPC9004MXE

Harvia Cilindro pillar heaters are stylish electric heaters ideal for many needs. The size and massive stone quantity of the heater are optimised to provide a smooth, yet powerful sauna bath in saunas of all sizes – from small family saunas to large public ones.



Features

Main material : Steel

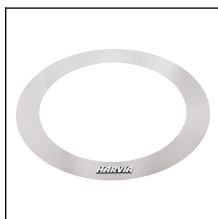
H x W x D : 930.0 x 320.0 x 320.0 mm

Net weight (kg) : 9.5

Installation location : Floor

ID	GTIN	Output (kW)	Sauna room size min - max m3
HPC9004MXE	6417659026482	9 kW	8.0-14.0

Related products



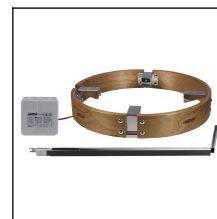
HPC1



HPC2



HPC3



HPC3L



HPC2L

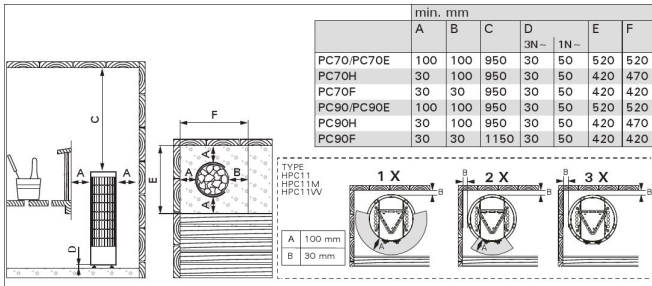
Spare parts

Product	ID	Pcs
Sensor with reset button 125 degr.	WX248	1
Data cable 5 m RJ16 black	WX311	1
Data cable extension 10 m	WX313	1
Control panel for CX170, CX110	WX380	1
On/off electric switch	ZSK-684	1
Support plate for heating elements	ZSC-140	1
Circuit board XE	WX683	1
Control panel Xenio Wifi	WX694	1
Heating element 3000W/230V	ZSE-259	3

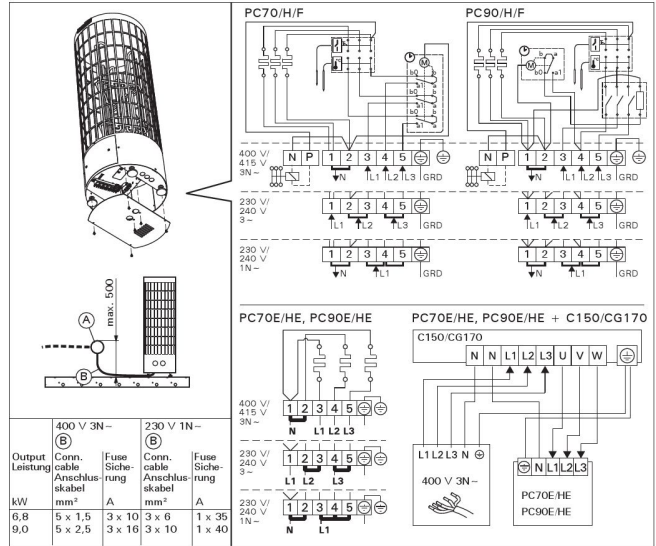
Technical details

Technical data	Type / attribute	HPC9004MXE
	Color	Black Steel
	Power output	9 kW
	Stone sizes	Ø5–10 cm
	Stone amount (kg)	90
Dimensions	Product width	320
	Product height	930
	Product depth (mm)	320
	Net weight (kg)	9.5
	Gross weight	10.9
	Package width	330
	Package height	975
	Package depth	330
Safety and installation dimensions	Safety distance front (non-combustible materials)	100
	Safety distance side (non-combustible materials)	100
	Safety distance behind (non-combustible materials)	100
	Safety distance (Ceiling)	950
	Room min. height(depends on connections and therefore from output, star/delta)	1900

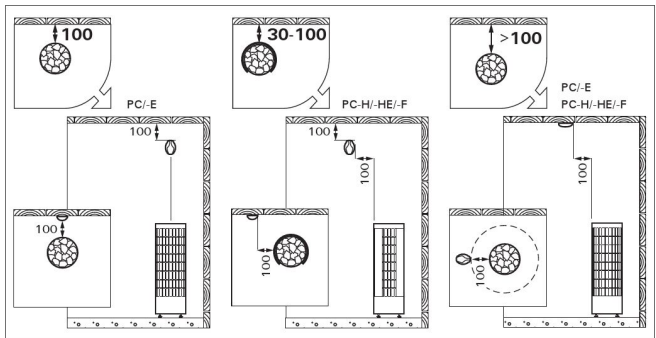
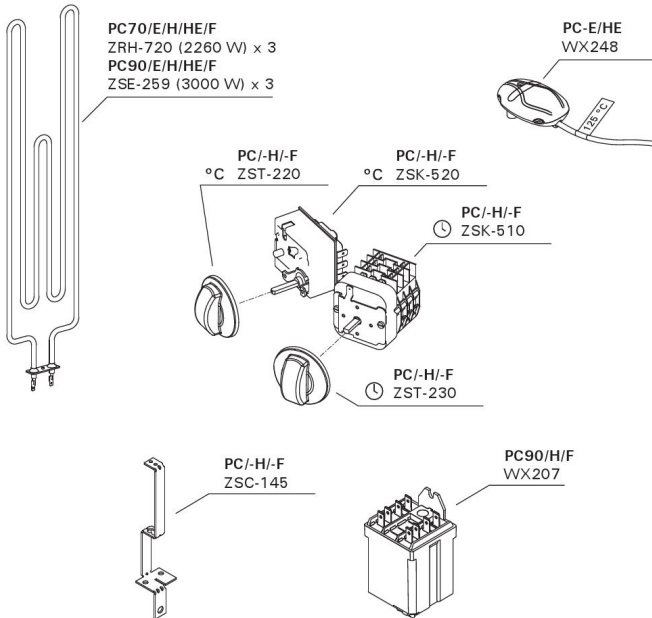
Technical images



Safety distances (all dimensions in millimeters)



Electrical connections



Installing the sensor (all dimensions in millimeters)

We recommend to use only the manufacturer's spare parts.