

DUBLIN BRISTOL

Instruction Book



LACUNZA®

Lacunza congratulates you on your choice.
Certified under ISO 9001, Lacunza guarantees the quality of its appliances and undertakes to meet the needs of its customers.

Confident of the know-how afforded by more than 50 years' experience, Lacunza uses advanced technologies in the design and manufacture of its entire range of appliances. This document will help you install and use your appliance in optimum conditions for your comfort and safety.

CONTENTS

1. PRESENTATION OF THE APPLIANCE	3
1.1. General characteristics.....	3
2. INSTRUCTIONS FOR THE INSTALLER.....	6
2.1. Warning to installers.....	6
2.2. Room for installation.....	6
2.2.1. Ventilation of the room.....	6
2.2.2. Location of the appliance in the room.....	7
2.3. Installation of the appliance.....	7
2.3.1. Floor.....	7
2.3.2. Safety distances.....	7
2.3.3. Checks before lighting for the first time.....	7
2.3.4. Instructions for moving the stove.....	7
2.3.5. Height adjustment and levelling the appliance.....	7
2.3.6. Connection to the flue.....	8
2.3.6.1. Connecting to the top.....	8
2.3.6.2. Connecting to the back.....	8
2.3.7. Preparing the outside air connection.....	9
2.4. Chimney flue.....	10
2.4.1. Type of flue.....	10
2.4.2. Chimney crown.....	11
3. INSTRUCTIONS OF USE	12
3.1. Fuel.....	12
3.2. Description of the parts of the appliance	13
3.2.1. Operating components.....	13
3.3. Lighting.....	14
3.4. Safety.....	14
3.5. Loading fuel	14
3.6. Operation	14
3.7. Removing ash.....	15
3.8. Removable internal parts. Baffle plate. Vermiculite plates.....	16
3.8.1. Removable internal parts.....	16
3.8.2. Remove the inner vermiculite plates and the baffle plate in this order	17



4. MAINTENANCE AND IMPORTANT ADVICE.....	19
4.1. Maintenance of the appliance.....	19
4.1.1. Firebox	19
4.1.2. Inside the appliance	19
4.1.3. Flue socket	19
4.1.4. Painted sheet-steel-cast-iron parts.....	19
4.1.5. Firebox glass.....	19
4.1.6. Air intake registers	19
4.2. Maintenance of the chimney flue.....	19
4.3. Important advice.....	20
5. TROUBLESHOOTING.....	21
6. BASIC BREAKDOWNS	22
7. PRODUCT RECYCLING.....	24
8. DECLARATION OF PERFORMANCE	25
9. CE MARK.....	29

1. PRESENTATION OF THE APPLIANCE

For optimum operation of the appliance, we advise you to read this manual carefully before switching on the appliance for the first time. In case of problems or concerns, we urge you to contact your dealer, who will cooperate with you.

In order to improve the product, the manufacturer reserves the right to make changes without notice by updating this document.

This appliance is designed to burn wood in absolutely safe conditions.

WARNING: Faulty installation may have serious consequences.

Installation and all necessary regular maintenance operations must be performed by an authorized installer in full accordance with the specifications set out in the legislation applicable in each country and this instruction book.

1.1. General characteristics

	Unit	Dublin	Bristol	
Operating appliance	-	Intermittent	Intermittent	
Appliance classification	-	Type CM	Type CM	
Preferred fuel	-	Wood logs (Humidity<25%)	Wood logs (Humidity<25%)	
Indirect heating functionality	-	NO	NO	
Values at Nominal Output	Nominal output to atmosphere (Direct) (P_{nom})	kW	9	9
	Efficiency at P_{nom} (η_{nom})	%	78	78
	CO emission at 13% O ₂ at P_{nom} (CO_{nom})	mg/m ³	375	375
	NO _x emission at 13% O ₂ at P_{nom} ($NO_{x, nom}$)	mg/m ³	124	124
	OGC emission at 13% O ₂ at P_{nom} (OGC_{nom})	mg/m ³	20	20
	PM emission at 13% O ₂ at P_{nom} (PM_{nom})	mg/m ³	14	14
	Optimum flue draught at P_{nom} (p_{nom})	Pa	12	12
	Gas temperature of flue at P_{nom} (T_{nom})	°C	314	314
	Gas temperature on the flue socket flange at P_{nom}	°C	377	377
	Log load frequency at P_{nom}	h	1	1
	Gas mass flow at P_{nom}	g/s	7.6	7.6
	Wood consumption (beech) at P_{nom}	kg/h	2.7	2.7
Chimney temperature class	-	T400	T400	
Dimensions of the firebox				
Width	mm	540	540	
Depth	mm	210	210	
Useful height	mm	280	280	
Maximum length of the logs	cm	50	50	
Volume heated (45W/m ³) at P_{nom}	m ³	200	200	
Capacity of the ashpit	L	2.5	2.5	
Weight	kg	145	145	
Flue socket diameter (d_{out})	mm	150	150	
Type of heat output/room temperature control		Single stage heat output, no room temperature control		

Energy efficiency class	-	A	A
Energy efficiency index (EEI)	-	103	103
Seasonal Energy Efficiency of space heating (η_s)	%	68	68

Note: The values indicated in the above table are based on tests performed in accordance with UNE-EN 13240 with logs with no more than 18% humidity and pressure conditions as indicated in each case.

Warning: this appliance is designed and prepared to work with the types of fuel, degree of humidity of the fuel, fuel loads, fuel load frequencies, flue draught and system of installation indicated in this Instruction Book. Failure to respect these conditions may lead to problems with the appliance (deterioration, shorter useful life, etc.) which are not covered by the Lacunza warranty.

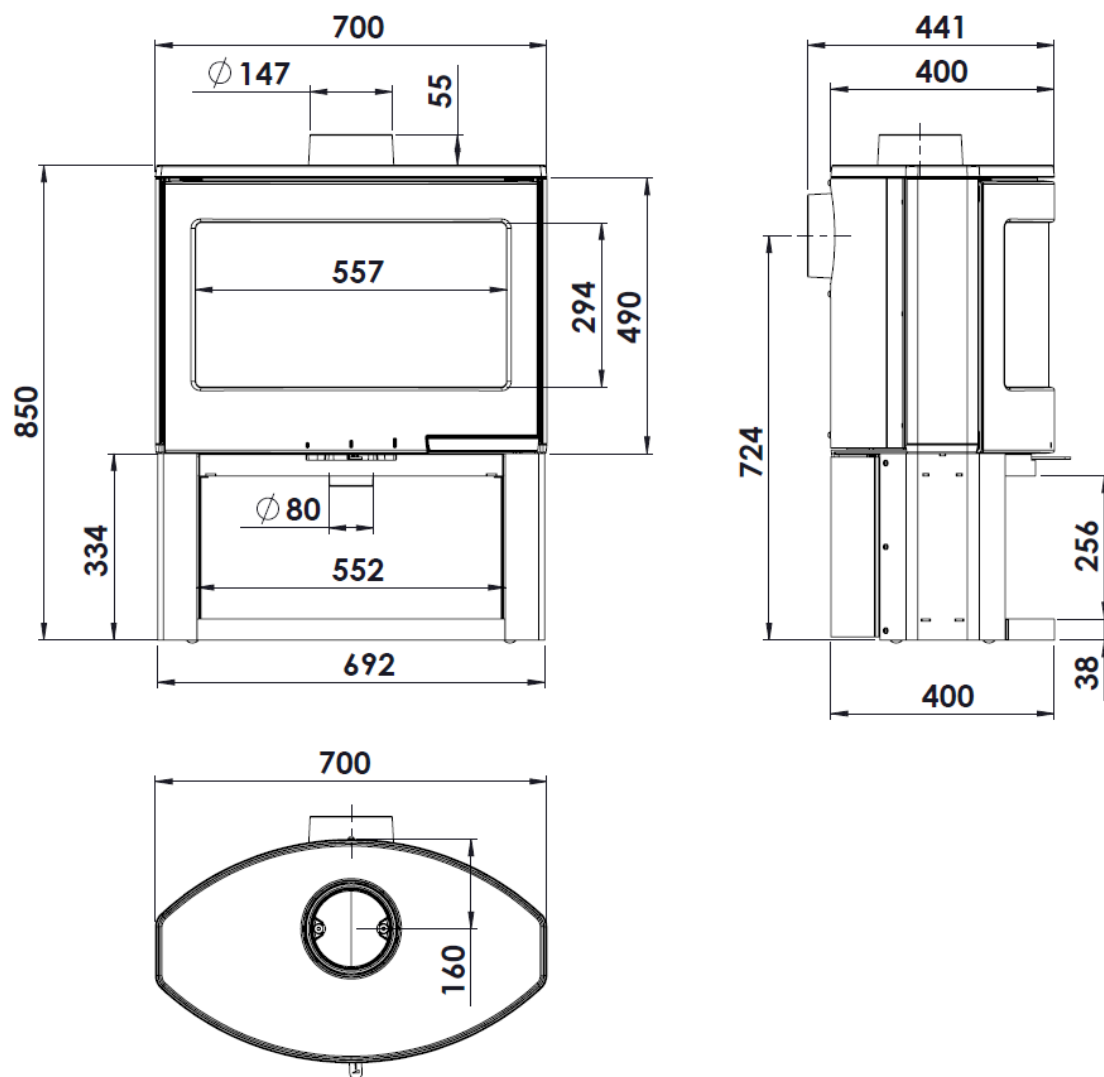


Figure No.1 - Dimensions of the Dublin / Bristol appliance in mm

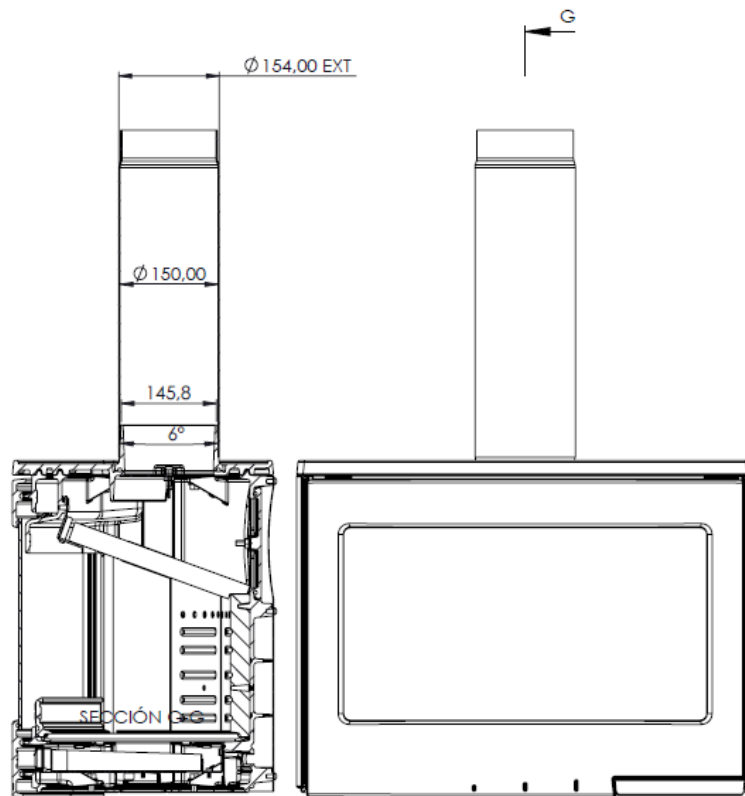


Figure No.2 - Connection to the flue without supplied adaptor

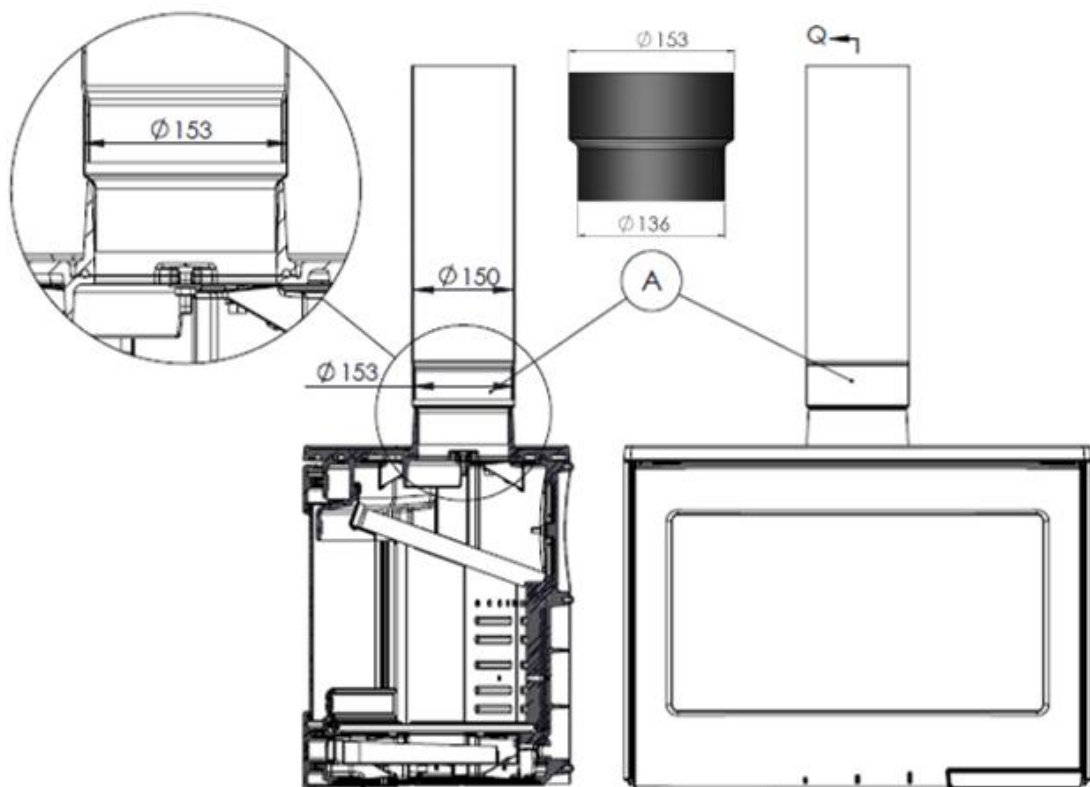


Figure No.3 - Connection to the flue with the supplied adaptor (A)

2. INSTRUCTIONS FOR THE INSTALLER

2.1. Warning to installers

All local and national regulations, including all those referring to national and European standards, must be observed when installing the appliance.

Installation of the appliance must be performed by an authorised installer.

An incorrectly installed appliance may lead to serious incidents (fires, creation of harmful gases, deterioration of nearby fixtures, etc.).

Lacunza's liability is limited to the supply of the material and does not include installation of the appliance.

2.2. Room for installation

2.2.1. Ventilation of the room

The appliance needs to consume oxygen (air) in order to work properly. Ensure a suitable air supply in the room in which the appliance is fitted. This quantity of oxygen is additional to the oxygen that we need in order to breathe (air renewal).

In order to ensure the high quality of the air you breathe and to avoid potential accidents resulting from high concentrations of the gases produced by combustion (mainly carbon dioxide and carbon monoxide), it is absolutely crucial to ensure the suitable renewal of the air in the room in which the appliance is fitted.

the room must always have at least two permanent grilles or openings to the exterior in order to renew the air (one for intake and the other for extraction).

For the installation of its appliances, Lacunza recommends an additional section for these openings. One of these two grilles must be situated high up in the room (at less than 30 cm from the ceiling)

and the other one low down (at less than 30 cm from the floor). Both grilles must open outdoors in order to renew the air in the room with fresh air.

The air inlet grilles must be positioned so that they cannot be blocked or closed accidentally.

The minimum section that each of these grilles must have depends on the nominal output of the appliance in accordance with the following table:

Output of the appliance (kW)	Minimum additional section of each of the grilles (cm ²)
$P \leq 10\text{kW}$	70
$10 < P \leq 15$	90
$15 < P \leq 20$	120
$20 < P \leq 25$	150
$25 < P \leq 30$	180
$30 < P \leq 35$	210
$P > 35$	240

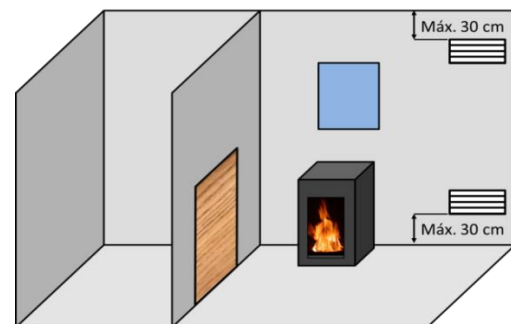


Figure No.4 - Guideline indications for ventilation grilles

In the case of appliances on which it is possible to pipe combustion air in from outdoors (appliances type BE, BF, CA, CM y CC), the specifications described in the Table above are not necessary.

The appliance must always be used with the door closed.

In rooms equipped with Controlled Mechanical Ventilation, the system

extracts and renews the ambient air; in such cases, the room is at slightly low pressure and it is necessary to install a non-closable outside-air inlet with a section of at least 90 cm².

2.2.2. Location of the appliance in the room

Choose a location in the room which favours good hot-air distribution by convection and radiation.

2.3. Installation of the appliance

2.3.1. Floor

Make sure that the base can withstand the total constructed weight of the appliance and its casing.

The apparatus should not be placed on combustible material.

2.3.2. Safety distances

Be sure to respect the appliance installation distances from **combustible materials**. Looking at the appliance head-on:

	Distance to combustible materials (mm)
From the right-hand side	550
From the left-hand side	550
From the rear	600
From the front	1400

Bear in mind that it may even be necessary to protect non-combustible material in order to prevent breakage, deformation, etc., as a result of overheating if the non-combustible material is not designed to withstand high temperatures.

2.3.3. Checks before lighting for the first time

- Make sure that the glass is not broken or damaged.
- Make sure that the flueway is not obstructed with packing or loose parts.
- Check the deflectors are correctly positioned.
- Make sure that the airtight joints on the flue circuit are in perfect condition.
- Make sure that the doors close properly.
- Make sure that all moving parts are fitted in place.

2.3.4. Instructions for moving the stove

1. Unpack the stove by removing the protective packaging.

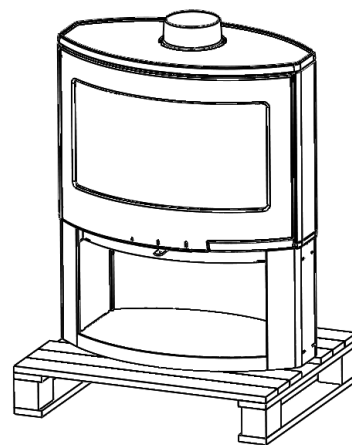


Figure No.5 - Stove following removal of the protective packaging

2. Move the stove to the desired installation site. The back part of the stove should be positioned at least 15mm from the wall.

2.3.5. Height adjustment and levelling the appliance

The appliance must be perfectly level, horizontally and vertically, both at the front and on the sides (use a spirit level).

2.3.6. Connection to the flue

The appliance must be connected to the chimney flue using special piping designed to resist the products of combustion (e.g. stainless steel, enamelled steel, etc.).

To connect the flue to the socket flange, insert the piping inside the flange and seal the joint with fire sealant or fire cement to make it completely airtight.

The installer must ensure that the pipe connected to the appliance is well secured and there is no chance of it coming free from its housing (e.g. as a result of dilatation due to temperature, etc.).

On this appliance, the flue socket can be fitted either **on top** or **at the rear** of the appliance.

2.3.6.1. Connecting to the top

As standard, the appliance is delivered with the connection collar fitted for a connection at the top, see following figure.

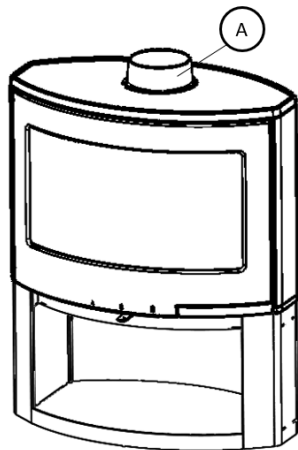


Figure No.6 - Figure of the connection collar fitted for a connection at the top

2.3.6.2. Connecting to the back

For a connection to the rear, the position of the connection collar needs to be changed. The connection collar is attached with 2 M6 nuts (key 11). Proceed as follows:

Disassembly of the rear bottom cover and the top connection collar:

1. First remove the vermiculite baffles plates of the combustion chamber (see section 3.8).
2. Remove the cover (10) from the back wall by removing the nuts (6) and the clamping brackets (7).
3. Remove the cover (10) and the seal (9). Check that the sealing tape on the contact surface is not damaged. Replace the sealing tape if it is damaged.
4. Disassemble the connecting collar (2) by undoing the bolts (1).
5. Remove the connection collar (2), the seal (3) and the materials supplied (1,4,5). Check that the sealing tape on the contact surface is not damaged. Replace the sealing tape if it is damaged.

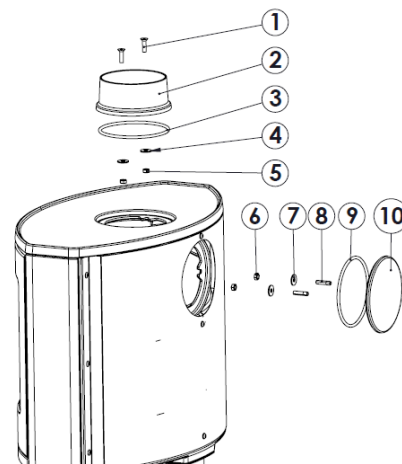


Figure No.7 - Disassembly of the rear bottom cover and the top connection collar

Assembly of the cover at the top and the connection collar at the rear.

1. Assemble the cover (1) and the seal (2) with the materials supplied (3,4,5).
2. Fit the connecting collar (9), the seal (12) on the back wall with the attachment materials (6,7,8).

3. Replace the vermiculite baffle inside the combustion chamber.

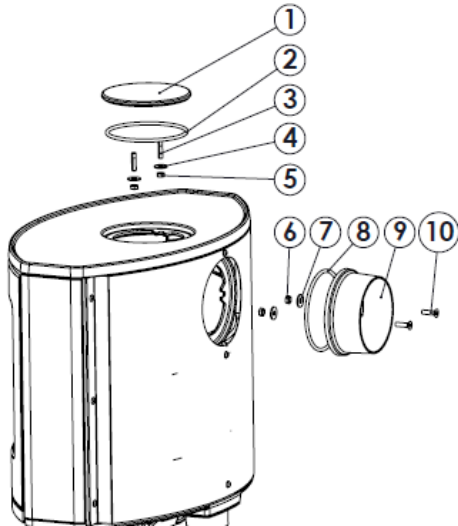


Figure No.8 - Assembly of the cover at the top and the connection collar at the rear

2.3.7. Preparing the outside air connection

On this model, it is possible to pipe air to the appliance for combustion straight from outdoors. We recommend that, if possible, air be drawn from outdoors for combustion via a non-closable pipe with a diameter of 80mm leading to the nozzle on the bottom-front of the appliance.

If the tube is straight, it can have a maximum of 12 meters in length. If you use accessories like elbows, you must subtract the total length (12 meters) 1 meter for each accessory used.

This is the best option because it means that draughts are not created in and oxygen is not consumed from the room in which the appliance is fitted. A further advantage is that there is no danger of downdraught which may hinder the correct updraught of the appliance when an extractor or mechanical ventilation appliance is used in the same room as the central-heating appliance or in another one alongside it.

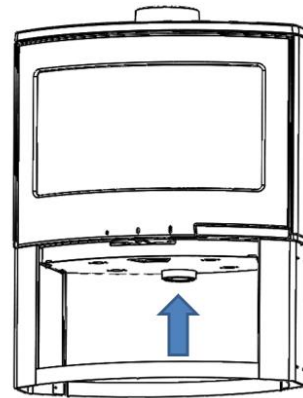


Figure No.9 - Air intake for the combustion chamber

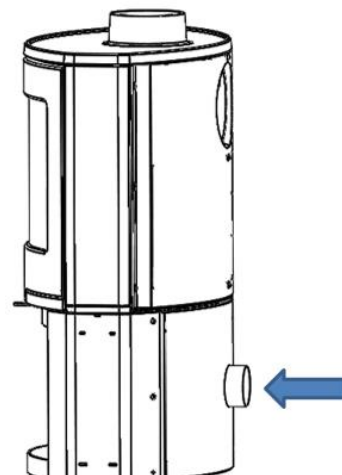
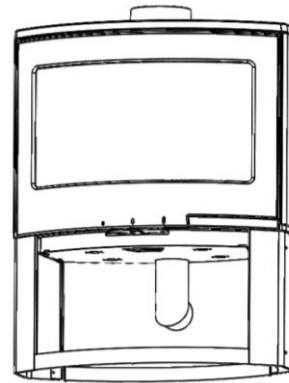


Figure No.10 - OPTION 1, outside air connection

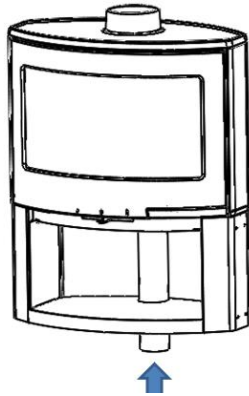


Figure No.11 - OPTION 2, outside air connection

If this is not possible, ensure that the appliance receives air for combustion.

Outside air connection via the wall

1. Make an opening in the wall (see the measurements of the appliance on the section 1.1 to see the exact position of the hole).
2. Close the air connection hermetically to the wall.

2.4. Chimney flue

The chimney flue must comply with present standards on the installation of chimneys.

In rooms equipped with Controlled Mechanical Ventilation, the ventilation outlet must never be connected to the flue.

The appliance must always have its own chimney flue, never sharing a chimney flue with another appliance.

2.4.1. Type of flue

The flue must be made of special material designed to resist the products of combustion (e.g. stainless steel, enamelled steel, etc.).

Non-central-heating appliances (without back boiler) require an insulated, double-sleeve flue only on those sections that run outdoors or through cold areas.

Single piping can be used inside the building, the heat of the gases serving to heat rooms, insulating only those sections where excess temperature may cause damage.

If the chimney is constructed, then it is necessary to pipe and insulate it to ensure correct updraught.

The diameter of the pipe must be the same as the diameter of the flue socket on the appliance over its entire length in order to ensure correct operation.

The flue must prevent the entry of rainwater.

The flue must be clean and airtight over its entire length.

The flue must be at least 6m tall and the chimney cap must not hinder the free release of gases.

If the flue tends to suffer from downdraught, then it is necessary to fit an effective anti-downdraught cowl, a static cowl or a smoke extraction fan, or reshape the chimney.

Never make 90° bends, due to the great loss of draught they cause, and reduce 45° bends down to an absolute minimum. Each 45° bend is equivalent to a 0.5m reduction in flue length. Horizontal flue sections should not be installed because they cut updraught a great deal.

The appliance is designed to operate under controlled draught conditions. The appliance must operate at a chimney draught of between 12Pa and 15Pa. To ensure this draught, an automatic draught moderator must be installed in the flue. Uncontrolled draught operation can lead to quick damage of the appliance, which will not be covered by the warranty.

The flue must not rest its weight on the appliance, as this could damage the worktop.

Bear in mind that high temperatures may be reached in the flue, meaning that

it is essential that insulation be enhanced in sections in which combustible material is present (wooden beams, furniture, etc.). It may even be necessary to protect non-combustible material in order to prevent breakage, deformation, etc., as a result of overheating if the material is not designed to withstand high temperatures.

It must be possible to clean the entire flue, no sections being left inaccessible for cleaning purposes.

2.4.2. Chimney crown

The upper end of the chimney must clear the roof, the roof ridge or any obstacle located on the roof by at least 1m.

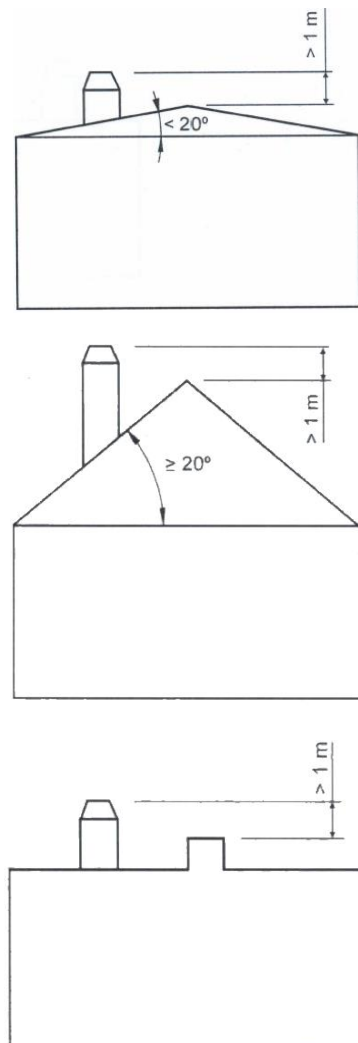


Figure No.12 - Distances between chimney crown and roof ridge

The chimney crown must clear the highest point of any neighbouring building or obstacle located within a 10m radius of the chimney outlet by more than 1m.

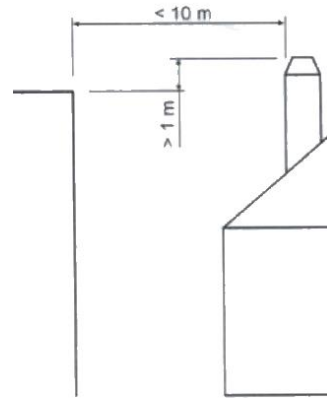


Figure No.13 - Distances between the chimney crown and objects within a 10m radius

The chimney crown must clear any neighbouring building or obstacle located within a radius of 10m to 20m from the chimney outlet.

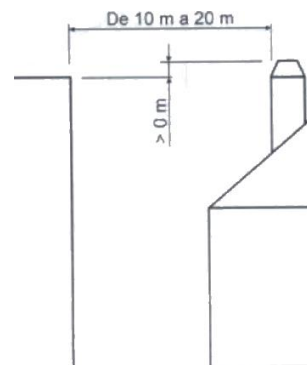


Figure No.14 - Distances between the chimney crown and objects within a radius of between 10 and 20m

3. INSTRUCTIONS OF USE

The manufacturer accepts no liability whatsoever for damage caused to parts as a result of the improper use of non-recommended fuels, modifications made to the appliance or how it is installed. **Only use original replacement parts.**

All local and national regulations, including those referring to national and European standards, must be observed when using the appliance.

Heat is diffused by radiation and convection via the front and exterior of the appliance.

3.1. Fuel

This appliance must not be used as an incinerator. Do not use non-recommended fuels.

- Use dry logs (max. 16% humidity), cut at least 2 years ago, clean of resin and stored in a sheltered, ventilated place.
- Use hard woods with high calorie values and good ember production.
- Large logs should be cut to useable lengths before being stored. The logs should have a maximum diameter of 150mm.
- Finely-chopped wood produces greater heat output, but also burns more quickly.

Optimum fuels:

- Beech.

Other fuels:

- Oak, chestnut, ash, maple, birch, elm, etc.
- Pine and eucalyptus logs are low density and produce very long flames, and may cause the parts of the appliance to wear out more quickly than normal.

- Resinous wood may mean that the appliance and the flue need to be cleaned more often.

Non-permitted fuels:

- All types of coal and liquid fuel.
- “Green wood”. Green or damp wood reduces the performance of the appliance and leads to soot and tar build-up on the inner walls of the flue, obstructing it.
- “Recovered wood”. The burning of treated woods (railway sleepers, telegraph posts, plywood, fibreboard, pallets, etc.) quickly blocks the system (soot and tar build-up), harms the environment (pollution, smells) and may lead to deformation of the firebox due to overheating.
- All materials which are not wood (plastic, spray cans, etc.).
- Never use gasoline, gasoline-type lamp fuel, paraffin, charcoal lighter fluid, ethyl alcohol or similar liquids to ignite or rekindle a fire in the equipment. Keep all such liquids away from the equipment while it is in use.

Green and reprocessed wood may cause chimney fires.

The graph below shows how the humidity of firewood affects its heat output:

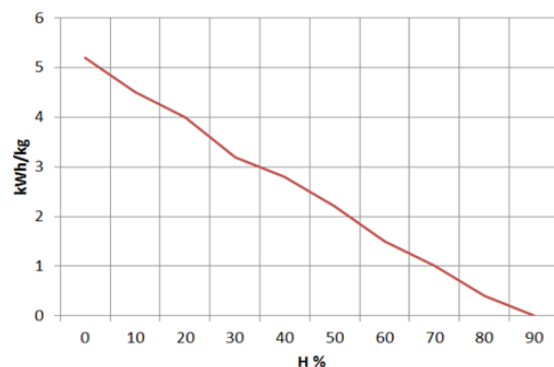


Figure No.15 - Relationship between firewood humidity and heat output.

3.2. Description of the parts of the appliance

3.2.1. Operating components

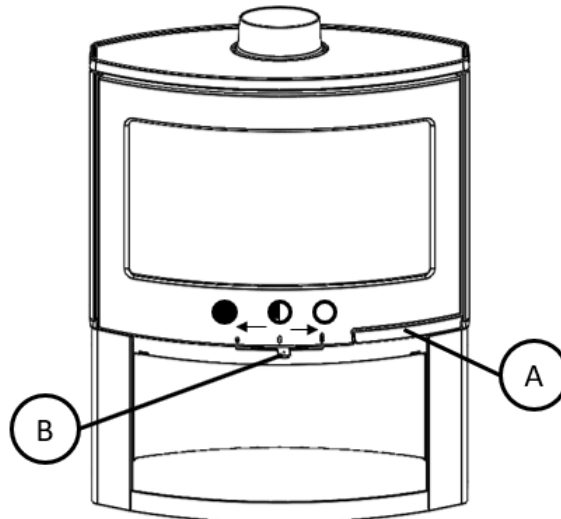
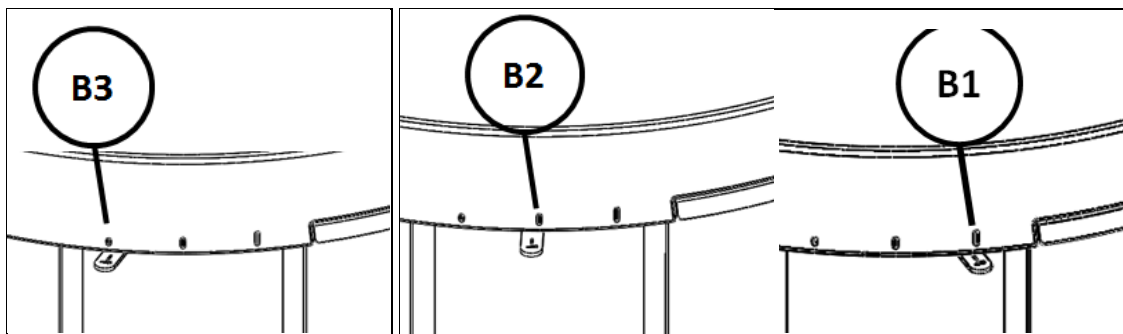


Figure No.16 - Operating components on the appliance

- **A:** Firebox door handle
- **B:** Combustion air intake regulation
 - **B1** open (move towards the right)
 - Primary air intake open (when lighting the stove)
 - Secondary air intake open (glass wash)
 - Post-combustion air intake open.
 - **B2**
 - Primary air intake close
 - Secondary air intake semi-open (glass wash)
 - Post-combustion air intake open.
 - **B2** close (move towards the left)
 - Primary air intake close
 - Secondary air intake close
 - Post-combustion air intake semi-open



3.3. Lighting

Use of the appliance in warm weather (warm days, early hours of the afternoon on sunny days) may lead to lighting and updraught problems.

Certain weather conditions, such as fog, ice, humidity entering the flue, etc., may hinder sufficient updraught in the flue and lead to suffocation.

Proceed as follows in order to light the appliance satisfactorily:

- Open the firebox door(s) and open all the firebox air-intake inlets to the full.
- Place paper or a firelighter and some wood chips in the firebox.
- Light the paper or firelighter.
- Leave the door slightly ajar, the width of two or three fingers, for about 15 minutes until the glass warms up.
- The first time the appliance is lit, the fire should be gentle to allow the parts of the appliance to dilate and dry.

Important: The first time it is lit up, the appliance may give off smoke and strange smells. This is not a cause for concern. Open an outdoor window to ventilate the room during the first few hours of operation.

If you notice water around the appliance, this is produced by the condensation of the moisture in the wood on lighting the fire. This condensation will no longer appear when the appliance has been lit three or four times and has adapted to its flue. If it does not disappear, then check the flue draught (length and diameter of the flue, flue insulation, airtightness) and the humidity of the wood used.

3.4. Safety

It is allowed to store combustible materials beneath the appliance.

3.5. Loading fuel

In order to load firewood, open the firebox door gently, preventing the sudden entry of air to the firebox so that smoke does not enter the room that the appliance is installed in.

Perform this operation with the glove to prevent burns to the hands.

The maximum height of the load shall be approximately one third of the height of the firebox.

The minimum interval between loads for nominal heat output is 60 minutes.

Always load with the nominal amount (see table in section 1.1).

For minimum burning (e.g. at night), use thicker logs.

When the firebox is loaded, close the door.

Be careful when placing logs in the firebox on appliances with vermiculite interiors. Vermiculite is a fragile material and may crack if knocked. The use of wood with non-recommended humidity levels will quickly damage the vermiculite parts.

3.6. Operation

The appliance should be operated with the door.

For safety reasons, never close all the appliance's combustion-air intakes.

Primary-air intake

By opening this inlet, air enters the firebox via the firebox grille.

Secondary-air intake

By opening this inlet, air enters the firebox via the top of the firebox door.

IMPORTANT: Keeping the secondary-air intake open helps keep the door glass cleaner for longer.

Double-combustion air intake

By opening this inlet, air enters the combustion flame, making for more efficient and less polluting combustion because post-combustion takes place, burning the particles which were not burned in the first combustion. This increases the performance of the appliance and reduces emissions.

Controlling combustion air

The appliance has one air slide that regulates both the primary air and the secondary air inlet. If the air slide is in position B1 (See previous images section 3.2.1), the primary and the secondary air inlets are open. As the air slide is further closed, the primary air inlet and then the secondary air inlet is closed. If the air slide is completely closed in position B3, a small air vent remains open to allow for post-combustion under the baffle plate.

IMPORTANT: The appliance is exposed to extreme changes in temperature and may, as a result, make noises when in operation. These noises are a natural result of expansion/contraction of the parts which make up the appliance. Do not be alarmed by noises of this kind.

In order to obtain maximum output, open all the air intakes to the firebox and in order to obtain minimum output, tend towards closing them. For normal use, we recommend you close the Primary Intake and leave the Secondary Intake 40% open.

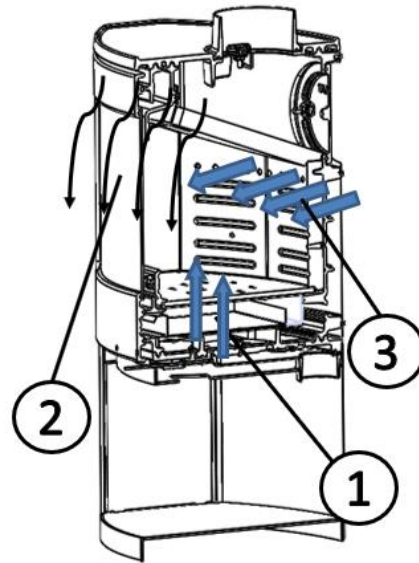


Figure No.17 - Combustion air intakes

- 1- The primary air inlet regulates the air under the grate
- 2- The secondary air inlet regulates the air for the glass (air wash)
- 3- The back wall has permanent vents below the baffle plate that allow for post-combustion.

3.7. Removing ash

Following sustained use of the appliance, it is necessary to remove the ash from the firebox. Remove the ashpit box when cold or using something to prevent yourself from getting burned (glove).

Never throw hot embers into the rubbish.

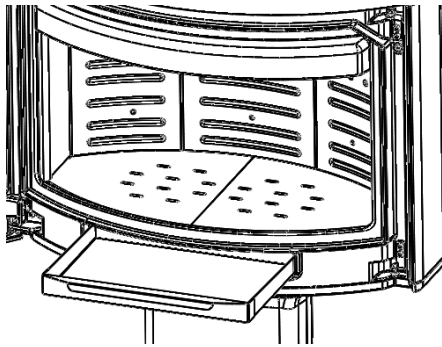
Access the ashpit by opening the door on the appliance.

Warning! It is very important to put the ashpit back in its housing at the bottom of the firebox after emptying it of ashes and before lighting the fire again! Do this by following the extraction process in reverse order.

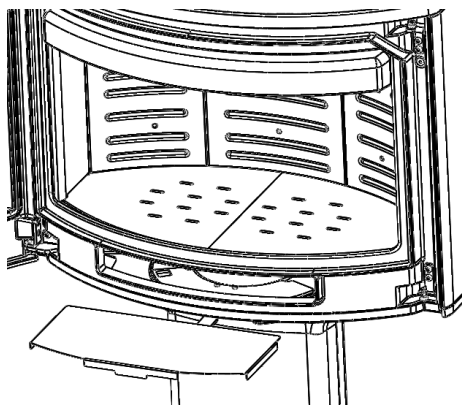
Clean the ashes from the primary register area

This area will require regular cleaning, to ensure an adequate air-flow and a correct movement of the primary register.

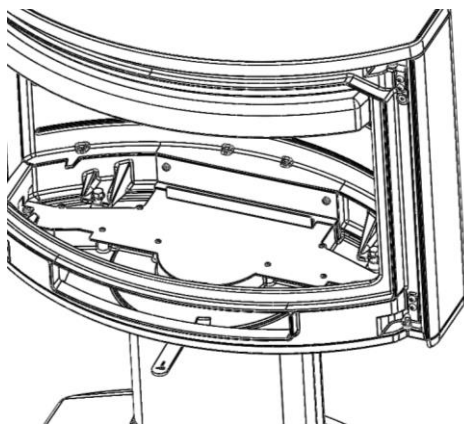
To access this area, follow the sequence below for removing pieces:



1 - Using the glove supplied, remove the ash pan and empty it.



2- Remove the ash pan support

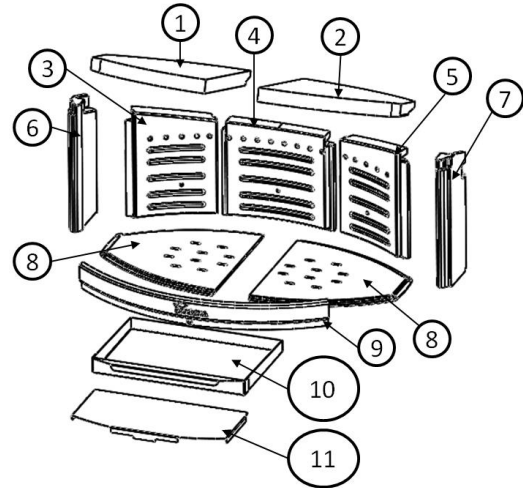


3- Disassembly the fire box (see section 3.8.2)

Figure No.18 - Disassembly of pieces for cleaning access

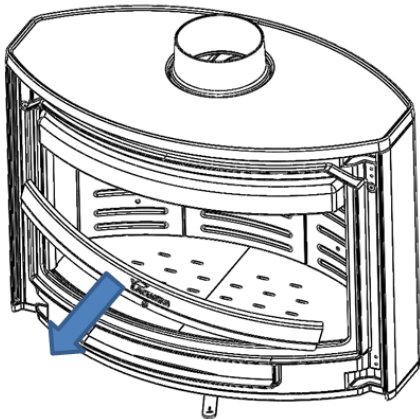
3.8. Removable internal parts. Baffle plate. Vermiculite plates.

3.8.1. Removable internal parts.

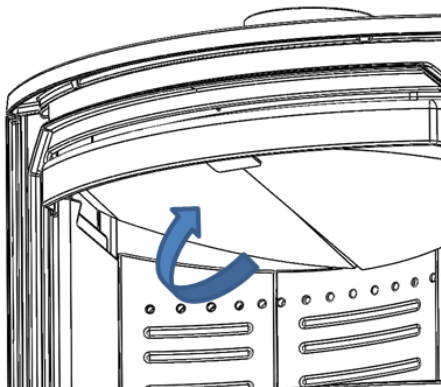


- 1- Baffle plate left
- 2- Baffle plate right
- 3- Left-hand rear inner plate
- 4- Centre rear inner plate
- 5- Right rear inner plate
- 6- Left-hand inner plate
- 7- Right-hand inner plate
- 8- Fire box grill left-right
- 9- Fire basket
- 10- Ash pan
- 11- Ash pan support

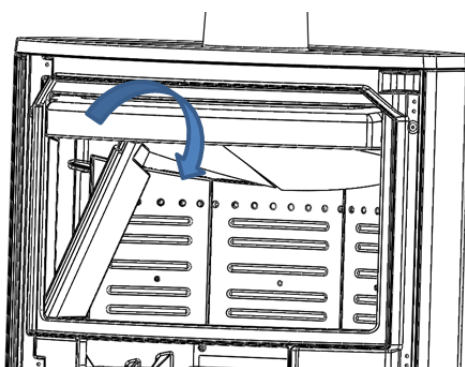
3.8.2. Remove the inner vermiculite plates and the baffle plate in this order



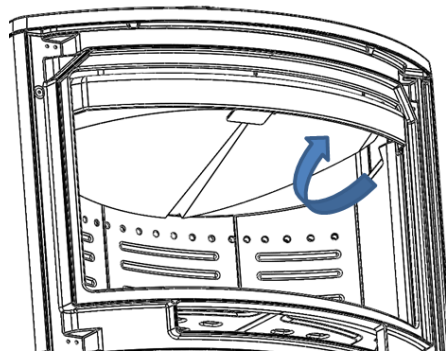
a- Remove the fire basket (9)



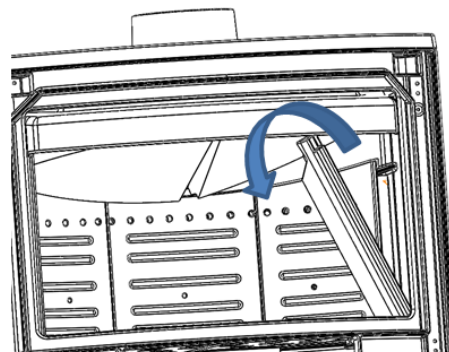
b- Lift slightly the left deflector (1) like in the figure.



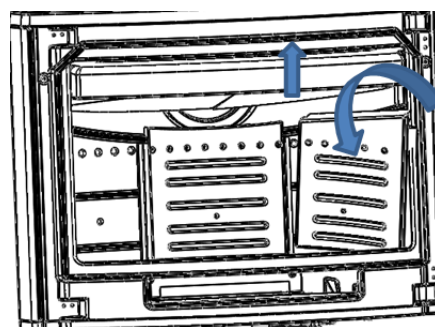
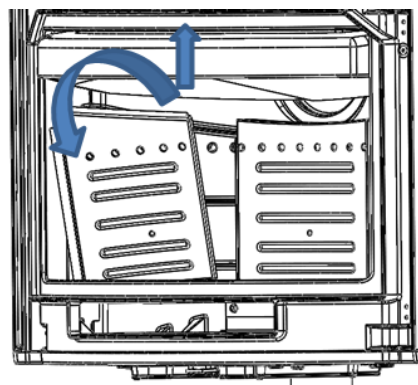
c- Remove the inner plate (6)

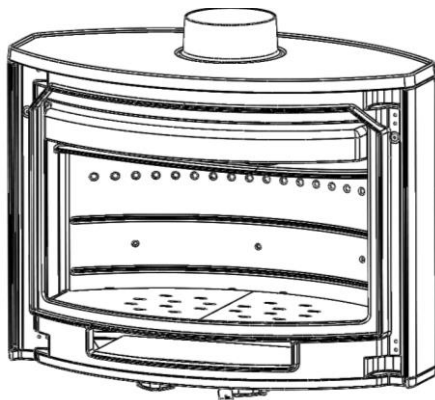
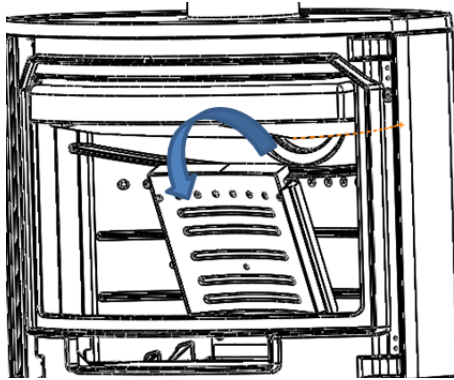


d- Lift the right deflector slightly like in the figure.

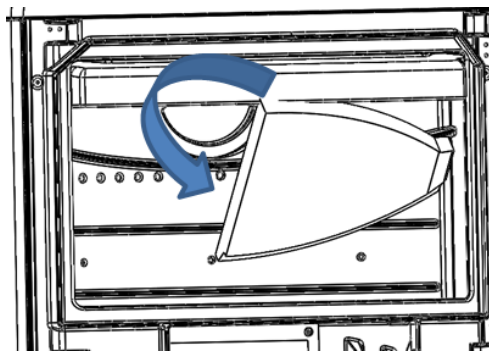
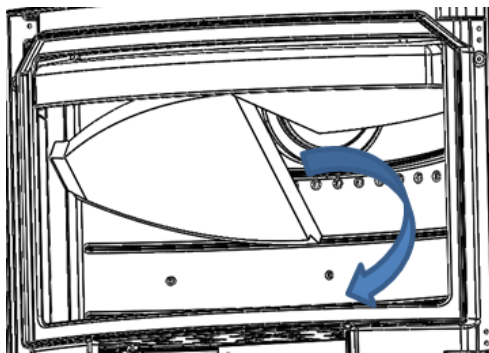


e- Remove the right-hand inner plate (7)





f- Remove the inner plates (3), (4) and (5) raising previously the deflectors on its back.



g- Remove the 2 deflectors (1) and (2)

4. MAINTENANCE AND IMPORTANT ADVICE

4.1. Maintenance of the appliance

The appliance, the flue connector piping and the flue must be cleaned regularly, particularly following long periods without use.

4.1.1. Firebox

Clean the firebox area of ash, etc.

4.1.2. Inside the appliance

The inside of the firebox can also be accessed from the bottom by extracting-pushing up the cast-iron grille and removing the ashpit. Clean the area of ash through the hollow left after removal (use a vacuum cleaner if necessary). The cast-iron base can also be extracted if necessary.

Clean the firebox area of ash. Clean the deflectors, where soot may build up.

4.1.3. Flue socket

The flue socket area must be kept clean at all times for the appliance to work properly.

It must be cleaned as often as required. How often it is cleaned depends on how much the appliance is used and the type of fuel employed.

4.1.4. Painted sheet-steel-cast-iron parts.

These parts should be cleaned with a brush or dry cloth. Do not dampen the parts: the steel could rust and the paint could blister and chip. Be particularly careful when cleaning the glass: the liquids used must not dampen the painted steel.

4.1.5. Firebox glass

To keep the glass as clean as possible for as long as possible, the secondary air register should be kept open. However,

over the hours of use, the glass may become dirty. To clean it, we will use specific degreasing products or dry cleaning products for this task.

The cleaning should be carried out with the glass cold and taking care not to apply the glass cleaner directly on the glass as, if it comes into contact with the door's closing cord, it may deteriorate. Put the cleaning product on the cloth.

Note: If we use the appliance in draught conditions higher than 15Pa or burn more wood (per hour) than those indicated in table 1.1, we will subject the appliance to working conditions higher than those designed for it. This can lead to aggressive fouling of the glass (white halo), which cannot be cleaned by the traditional method.

Caution, the vitro ceramic glass is prepared to support 700°C. Never let burning woods or combustion flame beating against the glass for prolonged periods of time. In this case, the glass would be submit to temperatures above 750°C, this could change the internal structure of the glass and make it opaque (irreversible phenomenon).

4.1.6. Air intake registers

In the air intake for combustion registers, remains of ash, sawdust, cleaning fluids, etc. may accumulate, which restrict or hinder its movement. In these cases, they should be released and cleaned.

4.2. Maintenance of the chimney flue

VERY IMPORTANT: In order to avoid incidents (chimney fires, etc.), it is necessary to perform maintenance and cleaning operations on a regular basis; if the appliance is used often, then the chimney and the flue connector piping must be swept several times a year.



In the event of fire in the chimney, close the flue draught, close doors and windows, remove embers from the firebox, block the connection hole with damp cloths and call the fire brigade.

4.3. Important advice

Lacunza recommends that only Lacunza-authorized replacement parts be used.

Lacunza accepts no liability for any modification to the product which it has not authorized.






This appliance is a heat-producing appliance and contact may lead to burns.

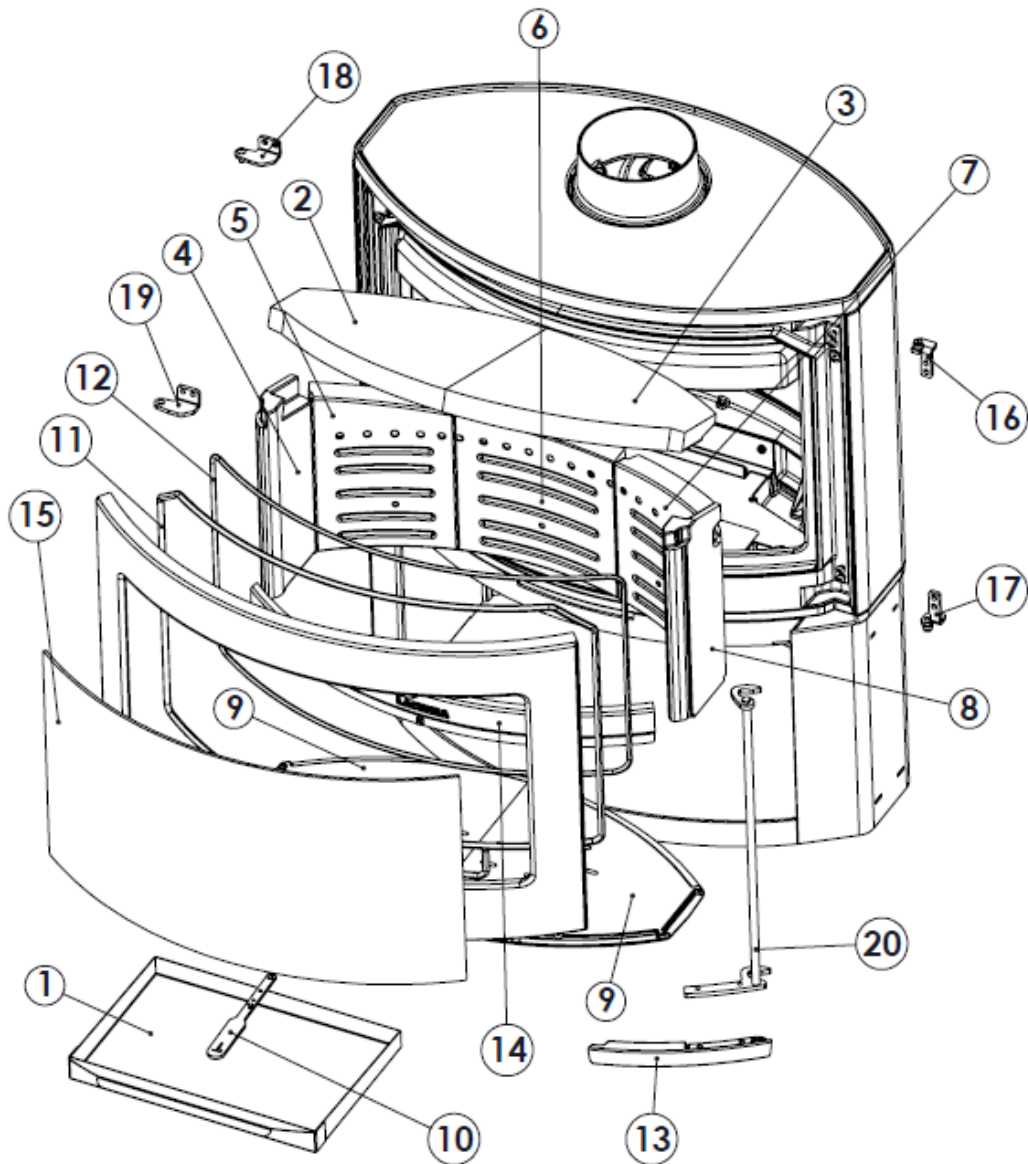
This appliance may remain HOT for a period of time after it has gone out. MAKE SURE THAT SMALL CHILDREN DO NOT GO NEAR IT.

5. TROUBLESHOOTING



This symbol means that a qualified professional should be called to perform the operation.

Problem	Probable causes		Solution
The fire does not light properly The fire does not stay alight	Green or damp wood		Use hard woods, cut at least 2 years ago and stored in a sheltered, ventilated place
	The logs are too large		Use crumpled paper or firelighters and dry wood chips to light the fire. Use split logs to keep the fire going
	Poor-quality wood		Use hard woods which produce heat and embers (chestnut, ash, maple, birch, elm, beech, etc.)
	Insufficient primary air		Open the primary- and secondary-air intakes completely, or even open the door slightly. Open the outdoor-air inlet grille
	Insufficient updraught		Check that the draught is not blocked. De-soot if necessary. Check that the flue is in perfect condition (airtight, insulated, dry, etc.)
The fire flames up too much	Excessive primary air		Close the primary- and secondary-air intakes partially or totally
	Excessive updraught		Install a draught damper
Smoke given off on lighting	Poor-quality wood		Do not continually burn chips, carpentry scraps (plywood, pallets, etc.)
	Cold flue		Heat up the flue by burning a piece of paper in the firebox.
Smoke during burning	The room is at low pressure		In rooms with Controlled Mechanical Ventilation, leave an outdoor window ajar until the fire is fully alight.
	Too little wood loaded		Load as recommended. Loads notably smaller than those recommended lead to low smoke temperature and downdraught.
	Insufficient updraught		Check the condition of the flue and insulation. Check that the piping is not blocked. Clean mechanically if necessary
	Wind enters the flue		Install an anti-downdraught system (Cowl) at the top of the chimney
Does not warm up enough	The room is at low pressure		In rooms with Controlled Mechanical Ventilation, there must be an outdoor-air inlet
	Poor-quality wood		Only use the recommended fuel
Water condenses (after the appliance has been lit more than 3 or 4 times)	Too little wood loaded		Load as recommended. Loads notably smaller than those recommended lead to low smoke temperature and condensation.
	Green or damp wood		Use hard woods, cut at least 2 years ago and stored in a sheltered, ventilated place.
	Condition of the flue		Lengthen the flue (5-6 metres minimum). Insulate the flue properly. Check the airtightness of the flue/appliance.

6. BASIC BREAKDOWNS


Nº	CÓDIGO	DENOMINACION	CANTIDAD
1	5028900001	Cenicero Tarbes	1
2	5028900002	Deflector vermiculita IZQ Tarbes	1
3	5028900003	Deflector vermiculita DCHO Tarbes	1
4	5028900004	Lateral vermiculita IZQ Tarbes	1
5	5028900005	Trasera vermiculita IZQ Tarbes	1
6	5028900006	Trasera vermiculita CEN Tarbes	1
7	5028900007	Trasera vermiculita DCHA Tarbes	1
8	5028900008	Lateral vermiculita DCHO Tarbes	1
9	5028900009	Parrilla hogar Tarbes	2
10	5028900010	Mando registros aire combustión	1
11	500900000010	Cordon cierre puerta Ø8mm Tarbes	2,5m
12	500900000008	Cordon cristal puerta Ø6mm Tarbes	1,9m
13	5028900011	Manilla puerta hogar Tarbes	1
14	5028900012	Separador hogar Tarbes	1
15	5028900013	Cristal puerta hogar Tarbes	1
16	5028900014	Cjto. bisagra frente SUP DCHO Tarbes	1
17	5028900015	Cjto. bisagra frente INF DCHO Tarbes	1
18	5028900016	Bisagra frente SUP IZQ Tarbes	1
19	5028900017	Bisagra frente INF IZQ Tarbes	1
20	5028900018	Cjto. varilla eje soldado Tarbes	1

7. PRODUCT RECYCLING

The recycling of the appliance is the exclusive responsibility of the owner, who must act in compliance with the laws in force in his country regarding safety, respect and protection of the environment. At the end of its useful life, the product must not be disposed of with urban waste.

It can be delivered to the specific selective collection centers set up by the municipalities, or to retailers who offer this service. The selective disposal of the product avoids possible negative consequences for the environment and for health and makes it possible to recover the materials of which it is composed, thus obtaining significant savings in terms of energy and resources.

It can be disassembled (the parts are assembled with screws or rivets) and the components can be deposited in their corresponding recycling channels. The components of the appliance are: steel, cast iron, glass, insulating materials, electrical material, etc.

8. DECLARATION OF PERFORMANCE



ES-S-035

DECLARACIÓN DE PRESTACIONES Conforme al R. E. Productos Construcción (UE) N° 305/2011

DÉCLARATION DE PERFORMANCE Selon le Règlement (UE) N° 305/2011

DICHIARAZIONE DI PRESTAZIONE In base al Regolamento (UE) N° 305/2011

DECLARATION OF PERFORMANCE According to Regulation (UE) N° 305/2011

DECLARAÇÃO DE PRESTAÇÕES Em base com o Regulamento (UE) N° 305/2011

- Nombre y/o código de identificación única del producto:
Nom-code d'identification unique du produit
Nome-codice identificativo unico del prodotto
Unique identifier nome-code for product
Nome-código de identificação único do produto
 - Marca, marque, marca, mark, marca: **Lacunza**
 - Tipo, type, tipo, type, tipo: **Estufa, Poêle, Stufa, Stove, Aquecedor**
 - Modelo, modèle, modello, model, modelo: **DUBLIN**
- Uso o usos previstos del producto: Estufa de carga manual, para quemar combustibles sólidos (indicado en instrucciones), cuya función es calentar el espacio en el que está instalada.
Utilisation prévue du produit: Poêle qui se charge manuellement, conçu pour brûler des combustibles solides (indiqués dans le Manuel d'Instructions), dont la fonction est de chauffer l'espace où il est installé.
Usi previsti del prodotto: Stufa a carico manuale, per bruciare combustibili solidi (indicati nelle istruzioni), la cui funzione è riscaldare lo spazio in cui è installato.
Entended uses of the product: Stove to be loaded by hand and designed to burn solid fuels (indicated in instructions), whose function is to heat the space in which it is installed.
Utilização prevista do produto: Aquecedor de carga manual, para queimar combustíveis sólidos (indicado nas instruções), cuja função é aquecer o espaço no qual está instalado.
- Nombre y dirección del fabricante: **LACUNZA KALOR GROUP S.A.L.**
Nom et adresse du fabricant: **Pol. Ind. Ibarrea 5A 31800 Alsasua (Navarra) (España)**
Nome e indirizzo del fabbricante: **Téléfono: (0034) 948563511**
Name and adress of the manufacturer: **Fax: (0034) 948563505**
Nome e endereço do fabricante: **Email: comercial@lacunza.net**
- Sistema de evaluación y verificación de la constancia de las prestaciones: **3**
Système d'évaluation et contrôle de la constante de performance: **3**
Sistema di valutazione e verifica della costanza della prestazione: **3**
Assessment and verification system for constancy of performance: **3**
Sistema de avaliação e verificação da regularidade do desempenho: **3**
- Organismo Notificado, Laboratoire notifié, Laboratorio notificato, Laboratory notified, Laboratório notificado:
RRF N° NB1625 Rhein-Ruhr Feuerstätten
Prüfstelle GmbH
Am Technologie Park 1 D-45307 ESSEN
Por el sistema, Selon le system, In base al sistema, Based on system, Em base ao system : **3**.
Documento emitido (fecha), Numéro du rapport d'essai (date), Numero rapporto di prova (data), Test report number (date), Número relação de prova (data): **ITT 195187-1 (18-05-2020)**

6. Prestaciones declaradas, Performance déclarée, Prestazioni dichiarate, Services declare, Desempenhos declarados:

Especificaciones técnicas armonizadas, Spécifications techniques armonices, Specifica tecnica armonizzata, Harmonised technical specifications, Especifica técnica harmonizada EN13240:2001/A2:2004/AC:2006/AC:2007	
Características esenciales, Caractéristiques essentielles, Caratteristiche essenziali, Essential features, Características essenciais	Prestaciones, Performance, Prestazione, Services, Desempenho
Reacción al fuego, Réaction au feu, Reazione al fuoco, Reaction to fire, Reação ao fogo	Cumple, Conforme, Conforme, Compliant, Em Conformidade
Distancia mínima de seguridad a materiales combustibles, Distance minimum aux matériaux combustibles, Distanza minima da materiali combustibili, Minimum distance from combustible material, Distância mínimo de materiais combustíveis	Izquierda, gauche, sinistra, left, esquerda: 550mm Derecha, droite, diritto, right, direito: 550mm Trasera, arrière, retro, back, traseira: 600mm Delantera, avant, fronte, front, frente: 1400mm Encimera, dessus, sopra, above, acima: -
Temperatura humos a potencia térmica nominal, Température des fumées, Temperatura fumi, Fume temperatura, Temperatura dos gases de combustão	314 °C
Emisión, Emission, Emissione, Emissão, Emission, CO 13% O2	0.03 %
Emisión, Emission, Emissione, Emissão, Emission, CO 13% O2	375 mg/Nm ³
Emisión, Emission, Emissione, Emissão, Emission, NOx 13% O2	124 mg/Nm ³
Emisión, Emission, Emissione, Emissão, Emission, OGC 13% O2	20 mg/Nm ³
Emisión, Emission, Emissione, Emissão, Emission, PM 13% O2	14 mg/Nm ³
Desprendimiento de sustancias peligrosas, Rejet de substances dangereuses, Rilascio di sostanze pericolose, Release of hazardous substances, Lançamento de substâncias perigosas	Cumple, Conforme, Conforme, Compliant, Em Conformidade
Temperatura superficial, Température de surface, Temperatura superficiale, Surface temperatura, Temperatura superficial	Cumple, Conforme, Conforme, Compliant, Em Conformidade
Seguridad eléctrica, Sécurité électrique, Sicurezza elettrica, Electrical safety, Segurança elétrica	-
Presión máxima de servicio (paila), Pression maximale de service, Máxima pressione di esercizio, Maximun operating pressure, Máxima pressão de exercício	-
Resistencia mecánica (para soportar una chimenea/un conducto de humos), Resistance mécanique (pour soutenir la cheminée), Resistenza mecánica (per supportare il camino), Mechanical strength (to support the fireplace), Resistência mecânica (para suportar a chaminé)	Cumple, Conforme, Conforme, Compliant, Em Conformidade
Potencia térmica ambiente, Puissance rendue au milieu, Potenza resa all'ambiente, Power output to the environment, Potência libertada no ambiente	9 kW
Potencia térmica agua, Puissance rendue à l'eau, Potenza ceduta all'acqua, Power transferred to water, Potência cedida à água	-
Rendimiento energético, Rendement, Rendimento, Efficiency, Atuação	78 %

Las prestaciones del producto identificado en el punto 1 son conformes con las prestaciones declaradas en el punto 6.
La performance du produit cité au point 1 est conforme à la performance declare au point 6.
La prestazione del prodotto di cui ai punti 1 è conforme alla prestazione dichiarata di cui al punto 6.
The performance of the product referred to in point 1 is consistent with the declared performance in point 6.
As declarações do produto identificado no ponto 1, estão conformes com as prestações declaradas no ponto 6.

La presente declaración de prestaciones se emite bajo la única responsabilidad del fabricante, indicado en el punto 3.
Cette déclaration de performance est délivrée sous la responsabilité exclusive du fabricant cité au point 3.
Si rilascia la presente dichiarazione di prestazione sotto la responsabilità esclusiva del fabricante di cui al punto 3.
This declaration of performance is issued under the manufacturer's sole responsibility referred to in point 3.
É emitida a presente declaração de desempenho sob a responsabilidade exclusiva do fabricante referido no ponto 3.



Lacunza Kalor Group S.A.L.
NIF A-31606932
Polígono Industrial Ibañeta s/n
31800 Alsua

Jose Julian
Jose Julian Garciañdia Pellejero
Director Gerente

Alsasua 22-05-2020



ES-S-035

DECLARACIÓN DE PRESTACIONES Conforme al R. E. Productos Construcción (UE) Nº 305/2011
DÉCLARATION DE PERFORMANCE Selon le Règlement (UE) Nº 305/2011
DICHIARAZIONE DI PRESTAZIONE In base al Regolamento (UE) Nº 305/2011
DECLARATION OF PERFORMANCE According to Regulation (UE) Nº 305/2011
DECLARAÇÃO DE PRESTAÇÕES Em base com o Regulamento (UE) Nº 305/2011
LEISTUNGSERKLÄRUNG Gemäß R. E. Bauprodukte (EU) Nr. 305/2011

1. Nombre y/o código de identificación única del producto:
Nom-code d'identification unique du produit:
Nome-codice identificativo unico del prodotto:
Unique identifier nome-code for product:
Nome-código de identificação único do produto:
Name und/oder eindeutiger Identifikationscode des Produkts:
 - Marca, marque, marca, mark, marca, markierung: **Lacunza**
 - Tipo, type, tipo, type, tipo, nett: **Estufa, Poêle, Stufa, Stove, Aquecedor, Holzofen**
 - Modelo, modèle, modello, model, modelo, modell: **BRISTOL**
2. **Uso o usos previstos del producto:** Estufa de carga manual, para quemar combustibles sólidos (indicado en instrucciones), cuya función es calentar el espacio en el que está instalada.
Utilisation prévue du produit: Poêle qui se charge manuellement, conçu pour brûler des combustibles solides (indiqués dans le Manuel d'Instructions), dont la fonction est de chauffer l'espace où il est installé.
Usi previsti del prodotto: Stufa a carico manuale, per bruciare combustibili solidi (indicati nelle istruzioni), la cui funzione è riscaldare lo spazio in cui è installato.
Entended uses of the product: Stove to be loaded by hand and designed to burn solid fuels (indicated in instructions), whose function is to heat the space in which it is installed.
Utilização prevista do produto: Aquecedor de carga manual, para queimar combustíveis sólidos (indicado nas instruções), cuja função é aquecer o espaço no qual está instalado.
Vorgesehene Verwendung oder Verwendungen des Produkts: Handbeschickungs-ofen zum Verbrennen von festen Brennstoffen (in der Anleitung angegeben), deren Funktion darin besteht, den Raum zu beheizen, in dem er installiert ist.
3. Nombre y dirección del fabricante: **LACUNZA KALOR GROUP S.A.L.**
Nom et adresse du fabricant: **Pol. Ind. Ibarrea 5A 31800 Alsasua (Navarra) (España)**
Nome e indirizzo del fabbricante: **Téléfono: (0034) 948563511**
Name and address of the manufacturer: **Fax: (0034) 948563505**
Nome e endereço do fabricante: **Email: comercial@lacunza.net**
Name und Anschrift des Herstellers:
4. Sistema de evaluación y verificación de la constancia de las prestaciones: **3**
Système d'évaluation et contrôle de la constante de performance: **3**
Sistema di valutazione e verifica della costanza della prestazione: **3**
Assessment and verification system for constancy of performance: **3**
Sistema de avaliação e verificação da regularidade do desempenho: **3**
System zur Bewertung und Überprüfung der Leistungsbeständigkeit: **3**
5. Organismo Notificado, Laboratoire notifié, Laboratorio notificato, Laboratory notified, Laboratório notificado, Meldeder Organismus:
RRF Nº NB1625 Rhein-Ruhr Feuerstätten
Prüfstelle GmbH
Am Technologie Park 1 D-45307 ESSEN
Por el sistema, Selon le system, In base al system, Based on system, Em base ao system, vom System: **3**
Documento emitido (fecha), Numéro du rapport d'essai (date), Numero rapporto di prova (data), Test report number (date), Número relação de prova (data), Ausgestelltes Dokument (Datum): **ITT 195187-1 (18-05-2020)**

6. Prestaciones declaradas, Performance déclarée, Prestazioni dichiarate, Services declare, Desempenhos declarados, Deklarierte Vorteile:

Especificaciones técnicas armonizadas, Spécifications techniques armonices, Specifica tecnica armonizzata, Harmonised technical specifications, Especifica técnica harmonizada, Harmonisierte technische Spezifikationen EN-13240:2001/A2:2004/AC:2006/AC:2007											
Características esenciales, Caractéristiques essentielles, Caratteristiche essenziali, Essential features, Características essenciais, Unerlässliche Eigenschaften	Prestaciones, Performance, Prestazione, Services, Desempenho, Leistungen										
Reacción al fuego, Resistance au feu, Resistenza al fuoco, Resistance to fire, Resistênza ao fogo, Reaktion auf Feuer	Cumple, Conforme, Conforme, Compliant, Em Conformidade, Gemäß										
Distancia mínima de seguridad a materiales combustibles, Distance minimum aux matériaux combustibles, Dintanza mínima da materiais combustibili, Minimum distance from combustible material, Distância mínimo de materiais combustíveis, Mindestsicherheitsabstand zu brennbaren Materialien	<table border="1"> <tr> <td>Izquierda, gauche, sinistra, left, esquerda, links :</td> <td>550mm</td> </tr> <tr> <td>Derecha, droite, diritto, right, direito, rechts:</td> <td>550mm</td> </tr> <tr> <td>Trasera, arrière, retro, back, traseira, rückseite:</td> <td>600mm</td> </tr> <tr> <td>Delantera, avant, fronte, front, frente, vorne:</td> <td>1400mm</td> </tr> <tr> <td>Encimera, dessus, sopra, above, acima, arbeitsplatte:</td> <td>800mm</td> </tr> </table>	Izquierda, gauche, sinistra, left, esquerda, links :	550mm	Derecha, droite, diritto, right, direito, rechts:	550mm	Trasera, arrière, retro, back, traseira, rückseite:	600mm	Delantera, avant, fronte, front, frente, vorne:	1400mm	Encimera, dessus, sopra, above, acima, arbeitsplatte:	800mm
Izquierda, gauche, sinistra, left, esquerda, links :	550mm										
Derecha, droite, diritto, right, direito, rechts:	550mm										
Trasera, arrière, retro, back, traseira, rückseite:	600mm										
Delantera, avant, fronte, front, frente, vorne:	1400mm										
Encimera, dessus, sopra, above, acima, arbeitsplatte:	800mm										
Temperatura humos a potencia térmica nominal, Température des fumées, Temperatura fumi, Fume temperatura, Temperatura dos gases de combustão, Rauchtemperatur bei Nennwärmeleistung	314 °C										
Emisión, Emission, Emissione, Emissão, Emission, Ausgabe CO 13% O2	0,03 %										
Emisión, Emission, Emissione, Emissão, Emission, Ausgabe CO 13% O2	375 mg/Nm ³										
Emisión, Emission, Emissione, Emissão, Emission, Ausgabe NOx 13% O2	124 mg/Nm ³										
Emisión, Emission, Emissione, Emissão, Emission, Ausgabe OGC 13% O2	20 mg/Nm ³										
Emisión, Emission, Emissione, Emissão, Emission, Ausgabe PM 13% O2	14 mg/Nm ³										
Desprendimiento de sustancias peligrosas, Rejet de substances dangereuses, Rilascio di sostanze pericolose, Release of hazardous substances, Lançamento de substâncias perigosas, Freisetzung von Gefahrstoffen	Cumple, Conforme, Conforme, Compliant, Em Conformidade, Gemäß										
Temperatura superficial, Température de surface, Temperatura superficiale, Surface temperatura, Temperatura superficial, Oberflächentemperatur	Cumple, Conforme, Conforme, Compliant, Em Conformidade, Gemäß										
Seguridad eléctrica, Sécurité électrique, Sicurezza elettrica, Electrical safety, Segurança elétrica, elektrische Sicherheit	-										
Presión máxima de servicio (paila), Pression maximale de service, Máxima pressione di esercizio, Maximum operating pressure, Máxima pressão de exercício, Maximaler Arbeitsdruck (Pfanne)	-										
Resistencia mecánica (para soportar una chimenea/un conducto de humos), Resistance mécanique (pour soutenir la cheminée), Resistenza mecánica (per supportare il camino), Mechanical strength (to support the fireplace), Resistência mecânica (para suportar a chaminé), Mechanischer Widerstand (zur Unterstützung eines Schornsteins/Abzugs)	Cumple, Conforme, Conforme, Compliant, Em Conformidade, Gemäß										
Potencia térmica ambiente, Puissance rendue au milieu, Potenza resa all'ambiente, Power output to the environment, Potência libertada no ambiente, Umgebungswärmeleistung	9 kW										
Potencia térmica agua, Puissance rendue à l'eau, Potenza ceduta all'acqua, Power transferred to water, Potência cedida à água, Thermalkraft Wasser	-										
Rendimiento energético, Rendement, Rendimento, Efficiency, Atuação, Energieeffizienz	78 %										

Las prestaciones del producto identificado en el punto 1 son conformes con las prestaciones declaradas en el punto 6.
 La performance du produit cité au point 1 est conforme à la performance declare au point 6.
 La prestazione del prodotto di cui ai punti 1 è conforme alla prestazione dichiarata di cui al punto 6.
 The performance of the product referred to in point 1 is consistent with the declared performance in point 6.
 As declarações do produto identificado no ponto 1, estão conformes com as prestações declaradas no ponto 6.
 Die Leistung des in Nummer 1 genannten Produkts entspricht der in Nummer 6 angegebenen Leistung.

La presente declaración de prestaciones se emite bajo la única responsabilidad del fabricante, indicado en el punto 3.
 Cette déclaration de performance est délivrée sous la responsabilité exclusive du fabricant cité au point 3.
 Si rilascia la presente dichiarazione di prestazione sotto la responsabilità esclusiva del fabricante di cui al punto 3.
 This declaration of performance is issued under the manufacturer's sole responsibility referred to in point 3.
 É emitida a presente declaração de desempenho sob a responsabilidade exclusiva do fabricante referido no ponto 3.
 Diese Leistungserklärung wird in alleiniger Verantwortung des Herstellers ausgestellt, wie in Punkt 3 angegeben.





Lacunza Kolor Group S.A.L.
 NIF A-31505332
 Polígono Industrial Ibañeta s/n
 31800 Alsasua (Navarra) Spain

José Julián Garcandía Pellejero
 Director Gerente

Alsasua 18-05-2022

9. CE MARK

	LACUNZA KALOR GROUP S.A.L. Pol. Ind. Ibarrea 5A 31800 Alsasua (Navarra) (Spain)	
	Número, Nombre, Numero, Number, Número, Nummer: ES-S-035	
Marca, marque, marca, mark, marca, markierung: Lacunza Tipo, type, tipo, type, tipo, nett: Estufa, Poêle, Stufa, Stove, Aquecedor, Holzofen Modelo, modèle, modello, model, modelo, modell: DUBLIN	Organismo notificado, Laboratoire notifié, Laboratorio notificado, Laboratory notified, Laboratorio notificado, Notifizierter Organismus: RRF N° NB1625	
Aparato Tipo, Type d'appareil, Tipo di apparecchio, Apparatus Type, Tipo de aparelho, Gerätetyp: CM		
Estufa de carga manual, para quemar combustibles sólidos (indicado en instrucciones), cuya función es calentar el espacio en el que está instalada. Funcionamiento Intermitente. Para conducto humos no compartido. Poêle qui se charge manuellement, conçu pour brûler des combustibles solides (indiqués dans Manuel d'Instructions), dont la fonction est de chauffer l'espace où il est installé. Fonctionnement intermittent. Pour conduit non partagé. Stufa a carico manuale, per bruciare combustibili solidi (indicati nelle istruzioni), la cui funzione è riscaldare lo spazio in cui è installato. Funzionamento intermittente. Per condotto non condiviso. Stove to be loaded by hand and designed to burn solid fuels (indicated in instructions), whose function is to heat the space in which it is installed. Intermittent operation. For non-shared conduit. Aquecedor de carga manual, para queimar combustíveis sólidos (indicado nas instruções), cuja função é aquecer o espaço no qual está instalado. Operação intermitente. Para conduíte não compartilhado. Manueller Beschickungssofen zum Verbrennen von festen Brennstoffen (in der Anleitung angegeben), dessen Funktion darin besteht, den Raum zu erwärmen, in dem er installiert ist. Intermittierender Betrieb. Für nicht geteilten Rauchkanal.		
EN13240:2001/A2:2004/AC:2006/AC:2007		
Características esenciales, Caractéristiques essentielles, Caratteristiche essenziali, Essential features, Características essenciais, unerlässliche Eigenschaften	Prestaciones, Performance, Prestazione, Services, Desempenho, Leistungen	
Reacción al fuego, Resistance au feu, Resistenza al fuoco, Resistance to fire, Resistência ao fogo, Reaktion auf Feuer	Cumple, Conforme, Conforme, Compliant, Em Conformidade, Gemäß	
Distancia mínima de seguridad a materiales combustibles, Distance minimum aux matériaux combustibles, Distanza minima da materiali combustibili, Minimum distance from combustible material, Distância mínima de materiais combustíveis, Mindestsicherheitsabstand zu brennbaren Materialien	Izquierda, gauche, sinistra, left, esquerda, links: 550mm Derecha, droite, diritto, right, direito, rechts: 550mm Trasera, arrière, retro, back, traseira, rückseite: 600mm Delantera, avant, fronte, front, frente, vorne: 1400mm Encimera, dessus, sopra, above, acima, arbeitsplatte: 800mm	
Temperatura humos a potencia térmica nominal, Température des fumées, Temperatura fumi, Fume temperatura, Temperatura dos gases de combustão, Rauchtemperatur bei Nennwärmeleistung	314 °C	
Emisión, Emission, Emissione, Emissão, Emission, Ausgabe CO 13% O2	0,03 %	
Emisión, Emission, Emissione, Emissão, Emission, Ausgabe, CO 13% O2	375 mg/Nm³	
Emisión, Emission, Emissione, Emissão, Emission, Ausgabe NOx 13% O2	124 mg/Nm³	
Emisión, Emission, Emissione, Emissão, Emission, Ausgabe OGC 13% O2	20 mg/Nm³	
Emisión, Emission, Emissione, Emissão, Emission, Ausgabe PM 13% O2	14 mg/Nm³	
Desprendimiento de sustancias peligrosas, Rejet de substances dangereuses, Rilascio di sostanze pericolose, Release of hazardous substances, Lançamento de substâncias perigosas, Freisetzung von Gefahrstoffen	Cumple, Conforme, Conforme, Compliant, Em Conformidade, Gemäß	
Temperatura superficial, Température de surface, Temperatura superficiale, Surface temperatura, Temperatura superficial, Oberflächentemperatur	Cumple, Conforme, Conforme, Compliant, Em Conformidade, Gemäß	
Seguridad eléctrica, Sécurité électrique, Sicurezza elettrica, Electrical safety, Segurança elétrica, elektrische Sicherheit	-	
Presión máxima de servicio (paila), Pression maximale de service, Máxima pressione di esercizio, Maximun operating pressure, Máxima pressão de exercício, Maximaler Arbeitsdruck (Pfanne)	-	
Resistencia mecánica (para soportar una chimenea/un conducto de humos), Resistense mécanique (pour soutenir la cheminée), Resistenza mecânica (per supportare il camino), Mechanical strength (to support the fireplace), Resistência mecânica (para suportar a chaminé), Mechanischer Widerstand (zur Unterstützung eines Schornsteins/Abzugs)	Cumple, Conforme, Conforme, Compliant, Em Conformidade, Gemäß	
Potencia térmica ambiente, Puissance rendue au milieu, Potenza resa all'ambiente, Power output to the environment, Potência libertada no ambiente, Umgebungswärmeleistung	9 kW	
Potencia térmica agua, Puissance rendue à l'eau, Potenza ceduta all'acqua, Power transferred to water, Potência cedida à água, Thermalkraft Wasser	-	
Rendimiento energético, Rendement, Rendimento, Efficiency, Atuação, Energieeffizienz	78 %	

		LACUNZA KALOR GROUP S.A.L. Pol. Ind. Ibarrea 5A 31800 Alsasua (Navarra) (Spain)	
		Número, Nombre, Numero, Number, Número, Nummer: ES-S-035	
Marca, marque, marca, mark, marca, markierung: Lacunza Tipo, type, tipo, type, tipo, nett: Estufa, Poêle, Stufa, Stove, Aquecedor, Holzofen		Organismo notificado, Laboratoire notifié, Laboratorio notificato, Laboratory notified, Laboratorio notificado, Notifizierter Organismus: RRF Nº NB1625	
Modelo, modèle, modello, model, modelo, modell: BRISTOL			
Aparato Tipo, Type d'appareil, Tipo di apparecchio, Apparatus Type, Tipo de aparelho, Gerätetyp: CM			
<p>Estufa de carga manual, para quemar combustibles sólidos (indicado en instrucciones), cuya función es calentar el espacio en el que está instalada. Funcionamiento Intermitente. Para conducto humos no compartido.</p> <p>Poêle qui se charge manuellement, conçu pour brûler des combustibles solides (indiqués dans Manuel d'Instructions), dont la fonction est de chauffer l'espace où il est installé. Fonctionnement intermittent. Pour conduit non partagé.</p> <p>Stufa a carico manuale, per bruciare combustibili solidi (indicati nelle istruzioni), la cui funzione è riscaldare lo spazio in cui è installato. Funzionamento intermittente. Per condotto non condiviso.</p> <p>Stove to be loaded by hand and designed to burn solid fuels (indicated in instructions), whose function is to heat the space in which it is installed. Intermittent operation. For non-shared conduit.</p> <p>Aquecedor de carga manual, para queimar combustíveis sólidos (indicado nas instruções), cuja função é aquecer o espaço no qual está instalado. Operação intermitente. Para conduíte não compartilhado.</p> <p>Manueller Beschickungsöfen zum Verbrennen von festen Brennstoffen (in der Anleitung angegeben), dessen Funktion darin besteht, den Raum zu erwärmen, in dem er installiert ist. Intermittierender Betrieb. Für nicht geteilten Rauchkanal.</p>			
EN13240:2001/A2:2004/AC:2006/AC:2007			
Características esenciales, Caractéristiques essentielles, Caratteristiche essenziali, Essential features, Características essenciais, unerlässliche Eigenschaften		Prestaciones, Performance, Prestazione, Services, Desempenho, Leistungen	
Reacción al fuego, Resistance au feu, Resistenza al fuoco, Resistência ao fogo, Reaktion auf Feuer		Cumple, Conforme, Conforme, Compliant, Em Conformidade, Gemäß	
Distancia mínima de seguridad a materiales combustibles, Distance minimum aux matériaux combustibles, Dintanza mínima da material combustibili, Minimum distance from combustible material, Distância mínimo de materiais combustíveis, Mindestsicherheitsabstand zu brennbaren Materialien		Izquierda, gauche, sinistra, left, esquerda, links: 550mm Derecha, droite, diritto, right, direito, rechts: 550mm Trasera, arrière, retro, back, traseira, rückseite: 600mm Delantera, avant, fronte, front, frente, vorne: 1400mm Encimera, dessus, sopra, above, acima, arbeitsplatte: 800mm	
Temperatura humos a potencia térmica nominal, Température des fumées, Temperatura fumi, Fume temperatura, Temperatura dos gases de combustão, Rauchtemperatur bei Nennwärmeleistung		314 °C	
Emisión, Emission, Emissione, Emissão, Emission, Ausgabe CO 13% O2		0,03 %	
Emisión, Emission, Emissione, Emissão, Emission, Ausgabe CO 13% O2		375 mg/Nm³	
Emisión, Emission, Emissione, Emissão, Emission, Ausgabe NOx 13% O2		124 mg/Nm³	
Emisión, Emission, Emissione, Emissão, Emission, Ausgabe OGC 13% O2		20 mg/Nm³	
Emisión, Emission, Emissione, Emissão, Emission, Ausgabe PM 13% O2		14 mg/Nm³	
Desprendimiento de sustancias peligrosas, Rejet de substances dangereuses, Rilascio di sostanze pericolose, Release of hazardous substances, Lançamento de substâncias perigosas, Freisetzung von Gefahrstoffen		Cumple, Conforme, Conforme, Compliant, Em Conformidade, Gemäß	
Temperatura superficial, Température de surface, Temperatura superficiale, Surface temperatura, Temperatura superficial, Oberflächentemperatur		Cumple, Conforme, Conforme, Compliant, Em Conformidade, Gemäß	
Seguridad eléctrica, Sécurité électrique, Sicurezza elettrica, Electrical safety, Segurança elétrica, elektrische Sicherheit		-	
Presión máxima de servicio (paila), Pression maximale de service, Máxima pressione di esercizio, Maximun operating pressure, Máxima pressão de exercício, Maximaler Arbeitsdruck (Pfanne)		-	
Resistencia mecánica (para soportar una chimenea/un conducto de humos), Résistance mécanique (pour soutenir la cheminée), Resistenza mecánica (per supportare il camino), Mechanical strength (to support the fireplace), Resistência mecânica (para suportar a chaminé), Mechanischer Widerstand (zur Unterstützung eines Schornsteins/Abzugs)		Cumple, Conforme, Conforme, Compliant, Em Conformidade, Gemäß	
Potencia térmica ambiente, Puissance rendue au milieu, Potenza resa all'ambiente, Power output to the environment, Potência libertada no ambiente, Umgebungswärmeleistung		9 kW	
Potencia térmica agua, Puissance rendue à l'eau, Potenza ceduta all'acqua, Power transferred to water, Potência cedida à água, Thermalkraft Wasser		-	
Rendimiento energético, Rendement, Rendimento, Efficiency, Atuação, Energieeffizienz		78 %	

LACUNZA KALOR GROUP S.A.L

Pol. Ind. Ibarrea 5A

31800 Alsasua (Navarra) Spain

Tel.: (00 34) 948 56 35 11

Fax.: (00 34) 948 56 35 05

e-mail: comercial@lacunza.net

Website: www.lacunza.net

EDITION: 3

