

# ADOUR

---

## Instruction Book





Lacunza congratulates you on your choice.  
Certified under ISO 9001, Lacunza guarantees the quality of its appliances and undertakes to meet the needs of its customers.

Confident of the know-how afforded by more than 50 years' experience, Lacunza uses advanced technologies in the design and manufacture of its entire range of appliances. This document will help you install and use your appliance in optimum conditions for your comfort and safety.

## CONTENTS

1. PRESENTATION OF THE APPLIANCE .....	3
1.1. General characteristics.....	3
2. INSTRUCTIONS FOR THE INSTALLER.....	7
2.1. Warning to installers.....	7
2.2. Room for installation.....	7
2.2.1. Ventilation of the room.....	7
2.2.2. Location of the appliance in the room.....	8
2.3. Installation of the appliance.....	8
2.3.1. Floor.....	8
2.3.2. Safety distances.....	8
2.3.3. Checks before lighting for the first time.....	8
2.3.4. Height adjustment and levelling the appliance.....	8
2.3.5. Casing.....	9
2.3.6. Preparing the outside air connection.....	10
2.3.7. Connection to the flue.....	11
2.3.8. Piping air to other rooms.....	11
2.3.9. Exterior Frame. Removal and assembly.....	13
2.3.10. Turbine-potentiometer connection.....	13
2.4. Chimney flue.....	13
2.4.1. Type of flue.....	13
2.4.2. Chimney crown.....	14
3. INSTRUCTIONS OF USE.....	16
3.1. Fuel.....	16
3.2. Description of the parts of the appliance.....	17
3.2.1. Operating components.....	17
3.3. Lighting.....	18
3.4. Loading fuel.....	18
3.5. Operation.....	18
3.6. Removing ash.....	19
3.7. Deflectors.....	19
3.8. Electrical system.....	20



4. MAINTENANCE AND IMPORTANT ADVICE.....	21
4.1. Maintenance of the appliance.....	21
4.1.1. Firebox .....	21
4.1.2. Inside the appliance .....	21
4.1.3. Flue socket .....	21
4.1.4. Firebox glass.....	21
4.1.5. Painted sheet-steel-cast-iron parts .....	21
4.1.6. Electrical system .....	21
4.1.7. Air intake registers.....	22
4.2. Maintenance of the chimney flue .....	22
4.3. Important advice.....	22
5. TROUBLESHOOTING.....	23
6. BASIC BREAKDOWNS .....	24
7. PRODUCT RECYCLING.....	27
8. DECLARATION OF PERFORMANCE .....	28
9. CE MARK.....	38

## 1. PRESENTATION OF THE APPLIANCE

For optimum operation of the appliance, we advise you to read this manual carefully before switching on the appliance for the first time. In case of problems or concerns, we urge you to contact your dealer, who will cooperate with you.

In order to improve the product, the manufacturer reserves the right to make changes without notice by updating this document.

This appliance is designed to burn wood in absolutely safe conditions.  
**WARNING:** Faulty installation may have serious consequences.  
 Installation and all necessary regular maintenance operations must be performed by an authorized installer in full accordance with the specifications set out in the legislation applicable in each country and this instruction book.

### 1.1. General characteristics

	Unit	ADOUR 500	ADOUR 600	ADOUR 700	ADOUR 800	ADOUR 1000	
Operating appliance	-	Intermittent					
Appliance classification	-	Type CM	Type CM	Type CM	Type CM	Type CM	
Preferred fuel	-	Wood logs (Humidity<25%)					
Indirect heating functionality	-	NO	NO	NO	NO	NO	
Values at Nominal Output	Nominal output to atmosphere (Direct) ( $P_{nom}$ )	kW	5.5	7	7	10	11
	Efficiency at $P_{nom}$ ( $\eta_{nom}$ )	%	77	77	82	79	78
	CO emission at 13% O <sub>2</sub> at $P_{nom}$ ( $CO_{nom}$ )	mg/m <sup>3</sup>	875	1125	1130	750	647
	NO <sub>x</sub> emission at 13% O <sub>2</sub> at $P_{nom}$ ( $NO_{xnom}$ )	mg/m <sup>3</sup>	111	115	79	123	104
	OGC emission at 13% O <sub>2</sub> at $P_{nom}$ ( $OGC_{nom}$ )	mg/m <sup>3</sup>	59	69	70	64	31
	PM emission at 13% O <sub>2</sub> at $P_{nom}$ ( $PM_{nom}$ )	mg/m <sup>3</sup>	27	29	27	30	11
	Optimum flue draught at $P_{nom}$ ( $p_{nom}$ )	Pa	12	12	12	12	12
	Gas temperature of flue at $P_{nom}$ ( $T_{nom}$ )	°C	291	288	231	316	280
	Gas temperature on the flue socket flange at $P_{nom}$	°C	349	346	277	380	335
	Log load frequency at $P_{nom}$	h	1	1	1	1	0.75
	Gas mass flow at $P_{nom}$	g/s	5	6.4	6.1	7.4	10.3
	Wood consumption (beech) at $P_{nom}$	kg/h	1.6	2.2	2.0	2.8	3.4
Chimney temperature class	-	T400	T400	T400	T400	T400	
Dimensions of the firebox							
Width	mm	404	504	604	704	904	
Depth	mm	290	290	290	290	290	
Useful height	mm	235	235	235	235	235	
Maximum length of the logs	cm	40	50	60	70	90	
Volume heated (45W/m <sup>3</sup> ) at $P_{nom}$	m <sup>3</sup>	122	155	156	222	244	
Capacity of the ashpit	L	0.9	0.9	0.9	0.9	0.9	
Weight	kg	65	74	82	91	111	
Flue socket diameter ( $d_{out}$ )	mm	150	150	150	150	150	
Voltage (AC)	V	230	230	230	230	230	
Frequency	Hz	50	50	50	50	50	
Maximum electricity consumption ( $e_{lmax}$ )	kW	0.024	0.024	0.024	0.024	0.072	



Minimum electricity consumption ( $e_{l_{min}}$ )	kW	0	0	0	0	0
Auxiliary electricity consumption in standby mode ( $e_{l_{SB}}$ )	kW	0	0	0	0	0
Type of heat output/room temperature control	Single stage heat output, no room temperature control					
Energy efficiency class	-	A	A	A+	A	A
Energy efficiency index (EEI)	-	101	101	109	104	103
Seasonal Energy Efficiency of space heating ( $\eta_s$ )	%	67	67	72	69	68

**Note:** The values indicated in the above table are based on tests performed in accordance with UNE-EN 13229, with logs with no more than 18% humidity and pressure conditions as indicated in each case.

**Warning:** this appliance is designed and prepared to work with the types of fuel, degree of humidity of the fuel, fuel loads, fuel load frequencies, flue draught and system of installation indicated in this Instruction Book. Failure to respect these conditions may lead to problems with the appliance (deterioration, shorter useful life, etc.) which are not covered by the Lacunza warranty.

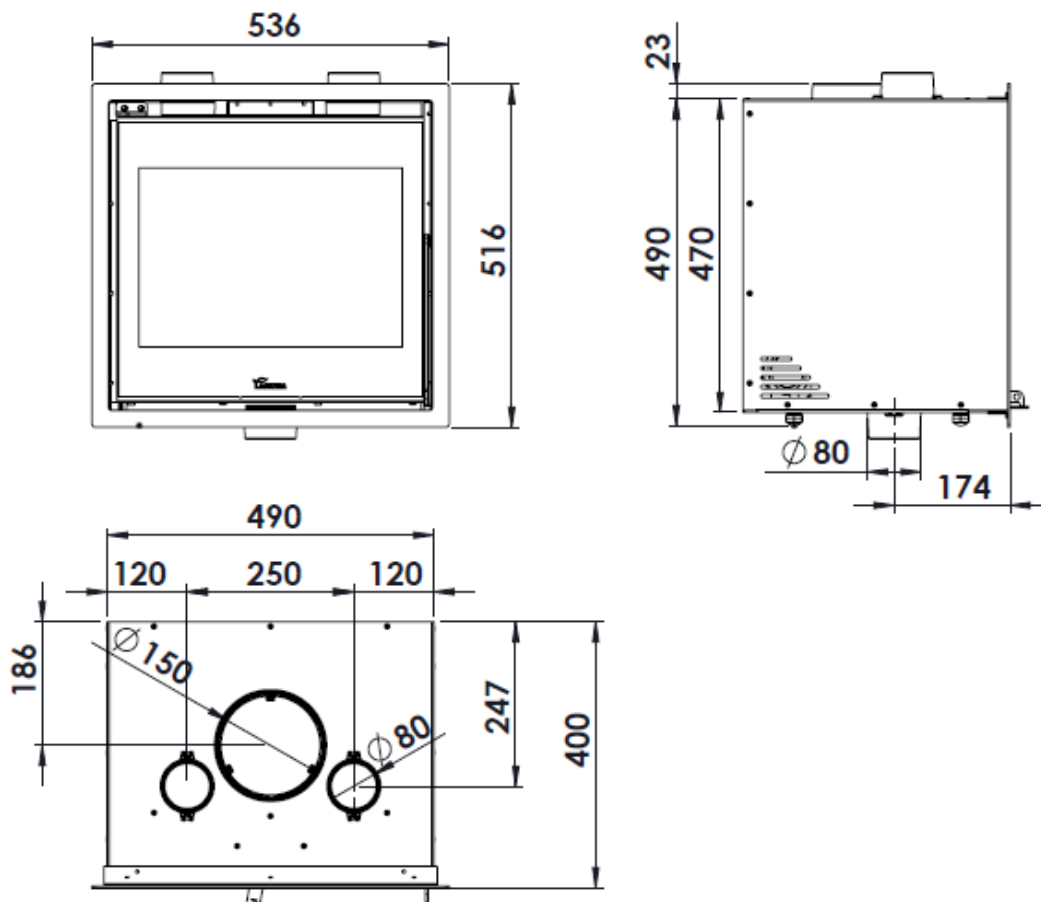


Figure No.1 - Dimensions of the ADOUR 500 appliance in mm

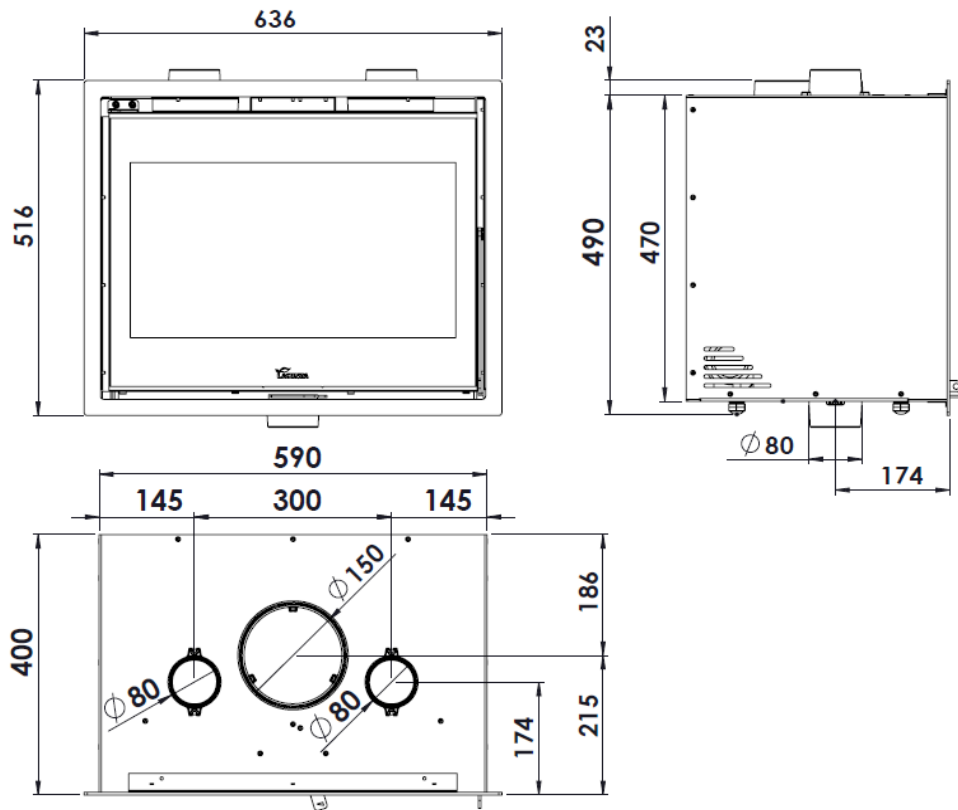


Figure No.2 - Dimensions of the ADOUR 600 appliance in mm

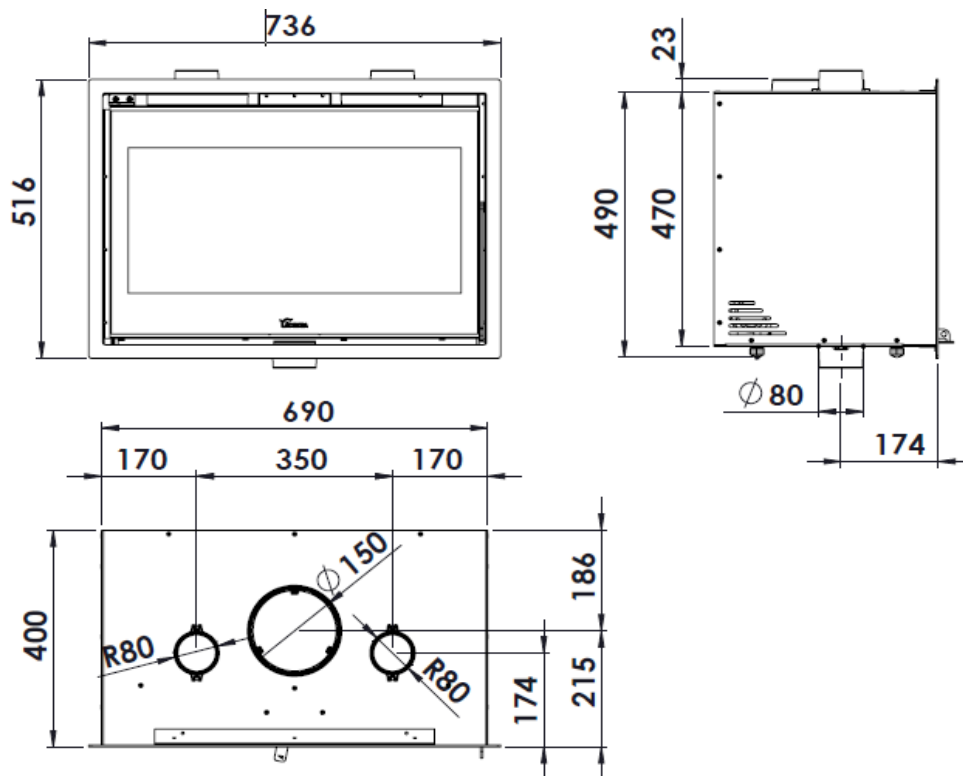


Figure No.1 - Dimensions of the ADOUR 700 appliance in mm

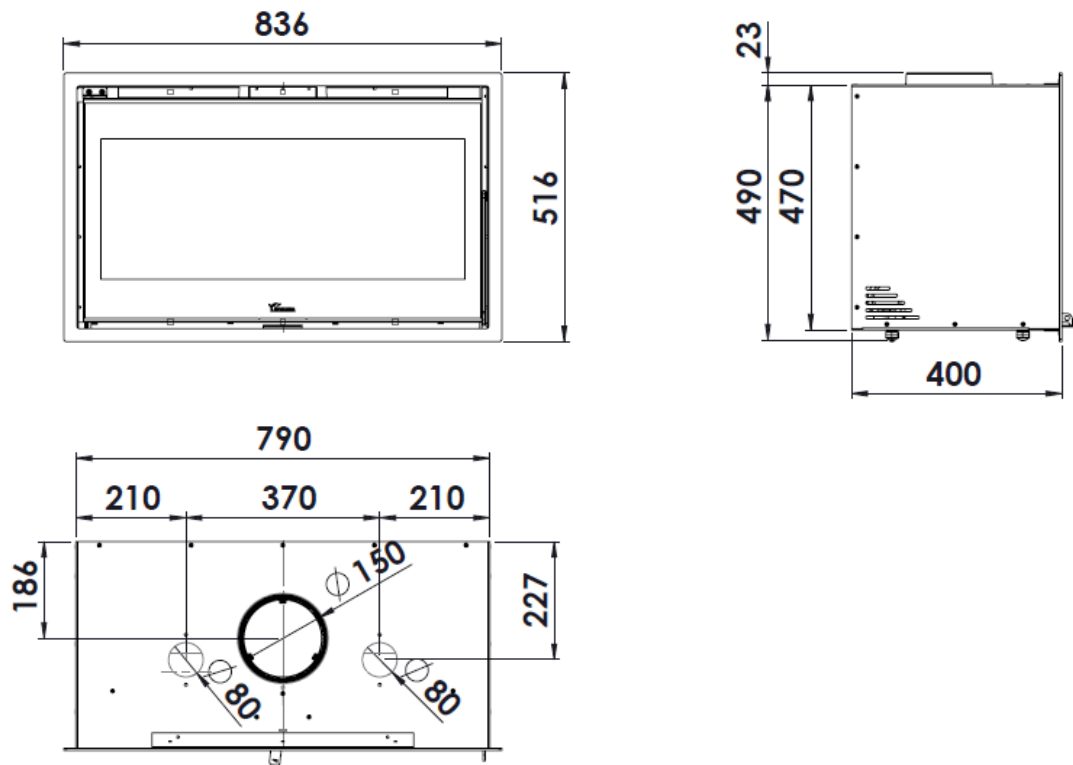


Figure No.2 - Dimensions of the ADOUR 800 appliance in mm

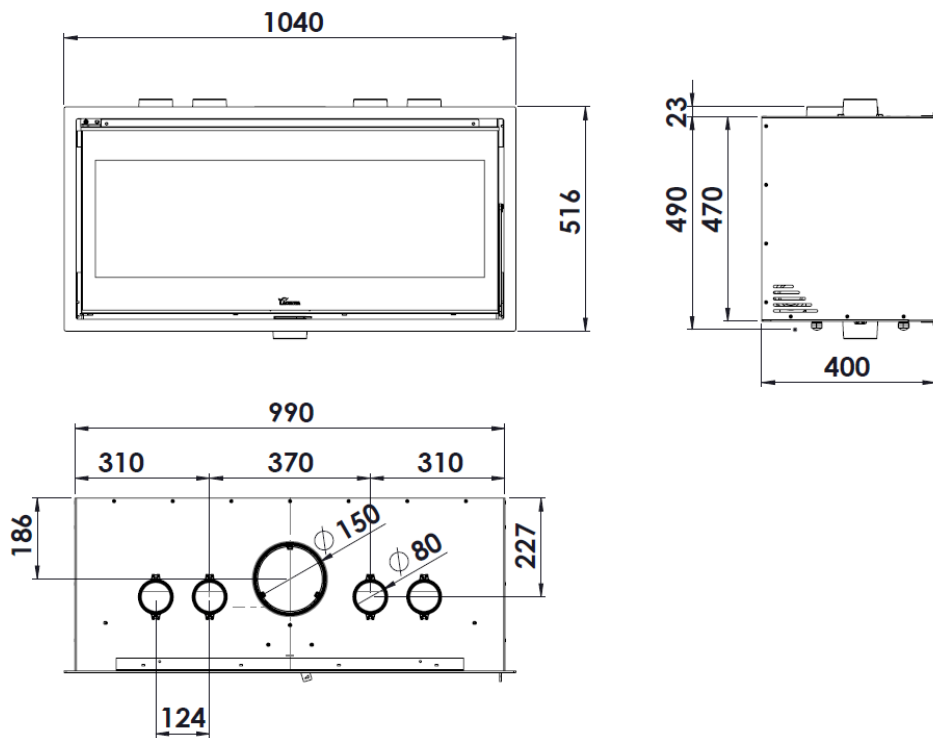


Figure No.3 - Dimensions of the ADOUR 1000 appliance in mm

## 2. INSTRUCTIONS FOR THE INSTALLER

### 2.1. Warning to installers

All local and national regulations, including all those referring to national and European standards, must be observed when installing the appliance.

Installation of the appliance must be performed by an authorised installer.

An incorrectly installed appliance may lead to serious incidents (fires, creation of harmful gases, deterioration of nearby fixtures, etc.).

Lacunza's liability is limited to the supply of the material and does not include installation of the appliance.

### 2.2. Room for installation

#### 2.2.1. Ventilation of the room

The appliance needs to consume oxygen (air) in order to work properly. Ensure a suitable air supply in the room in which the appliance is fitted. This quantity of oxygen is additional to the oxygen that we need in order to breathe (air renewal).

In order to ensure the high quality of the air you breathe and to avoid potential accidents resulting from high concentrations of the gases produced by combustion (mainly carbon dioxide and carbon monoxide), it is absolutely crucial to ensure the suitable renewal of the air in the room in which the appliance is fitted.

The room must always have at least two permanent grilles or openings to the exterior in order to renew the air (one for intake and the other for extraction).

For the installation of its appliances, Lacunza recommends an additional section for these openings. One of these two grilles must be situated high up in the room (at less than 30 cm from the ceiling)

and the other one low down (at less than 30 cm from the floor). Both grilles must open outdoors in order to renew the air in the room with fresh air.

The air inlet grilles must be positioned so that they cannot be blocked or closed accidentally.

The minimum section that each of these grilles must have depends on the nominal output of the appliance in accordance with the following table:

Output of the appliance (kW)	Minimum additional section of each of the grilles (cm <sup>2</sup> )
$P \leq 10\text{kW}$	70
$10 < P \leq 15$	90
$15 < P \leq 20$	120
$20 < P \leq 25$	150
$25 < P \leq 30$	180
$30 < P \leq 35$	210
$P > 35$	240

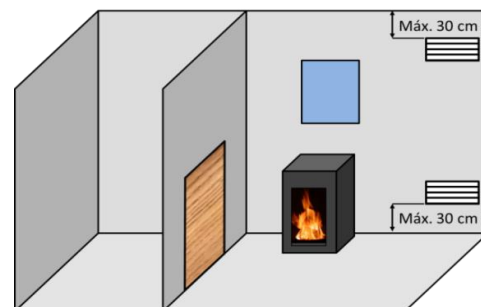


Figure No.4 - Guideline indications for ventilation grilles

In the case of appliances on which it is possible to pipe combustion air in from outdoors (appliances type BE, BF, CA, CM y CC), the specifications described in the table above are not necessary.

The appliance must always be used with the door(s) closed.

In rooms equipped with Controlled Mechanical Ventilation, the system extracts and renews the ambient air; in such cases, the room is at slightly low

pressure and it is necessary to install a non-closable outside-air inlet with a section of at least 90 cm<sup>2</sup>.

### 2.2.2. Location of the appliance in the room

Choose a location in the room which favours good hot-air distribution by convection and radiation.

## 2.3. Installation of the appliance

### 2.3.1. Floor

Make sure that the base can withstand the total constructed weight of the appliance and its casing.

When the floor surface (base) is combustible, fit suitable insulation.

### 2.3.2. Safety distances

Be sure to respect the appliance installation distances from **combustible materials**. Looking at the appliance head-on:

ADOUR 500:

	Distance to combustible materials (mm)
From the right-hand side	200
From the left-hand side	200
From the rear	200
From the front	1440
From the top	350

ADOUR 600, ADOUR 700, ADOUR 800:

	Distance to combustible materials (mm)
From the right-hand side	250
From the left-hand side	250
From the rear	250
From the front	1500
From the top	350

ADOUR 1000:

	Distance to combustible materials (mm)
From the right-hand side	250
From the left-hand side	250
From the rear	250
From the front	1500

Bear in mind that it may even be necessary to protect non-combustible material in order to prevent breakage, deformation, etc., as a result of overheating if the non-combustible material is not designed to withstand high temperatures.

### 2.3.3. Checks before lighting for the first time

- Make sure that the glass is not broken or damaged.
- Make sure that the flueway is not obstructed with packing or loose parts.
- Make sure that the airtight joints on the flue circuit are in perfect condition.
- Make sure that the doors close properly.
- Make sure that all moving parts are fitted in place.
- Check that the deflector is fitted properly

### 2.3.4. Height adjustment and levelling the appliance

The appliance must be perfectly level, horizontally and vertically, both at the front and on the sides (use a spirit level).

The appliance has adjustable legs with which to adjust its height.

The legs can be adjusted using a 24mm spanner.

### 2.3.5. Casing

Make sure that the material around the appliance is not flammable or likely to deteriorate as a result of heat (wallpaper, carpet, plastic-based casing, Silestone, etc.).

The image below gives an example of how the appliance can be encased properly:

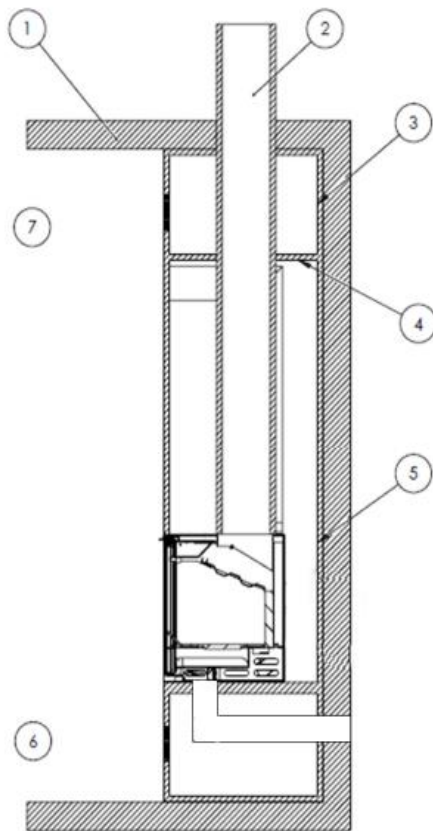


Figure No.5 - Interior diagram of the casing

#### Key to casing diagram:

- 1 Ceiling
- 2 Flue
- 3 Incombustible material (Inner hood insulation)
- 4 Insulating deflector made of incombustible material
- 5 Wall
- 6 Fresh-air inlet (1,000 cm<sup>2</sup>)
- 7 Hot-air outlet (1,000 cm<sup>2</sup>)

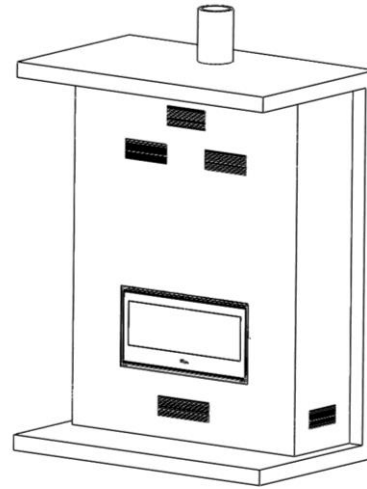


Figure No.6 - Exterior diagram of the casing

In order to enable suitable air circulation and correct operation, the casing must have a fresh-air inlet with a minimum section of 1,000cm<sup>2</sup> beneath the level of the actual appliance and a hot-air outlet measuring at least 1,250cm<sup>2</sup> above it (just before the insulating deflector inside the casing). These inlet and outlet sections must ensure air renewal in such a way as to avoid damage to parts inside the hood due to excess temperature.

This specification must be observed regardless of the type of installation chosen (with or without forced ventilation, combustion air from indoors or outdoors, directed hot-air outlets with or without pipes, etc.). A further hot-air ventilation grille is also recommended between the insulating deflector on the hood and the ceiling.

As well as this, the hood/closure should have a free opening of at least 100 cm<sup>2</sup> for the intake of air for combustion.

Warning: on appliances on which it is possible to pipe air to the firebox, the hood requires a further air inlet at the bottom, in addition to the 1,000cm<sup>2</sup> inlet, if the air supply comes from the room in which the appliance is fitted.

On non-central-heating appliances (without back boiler), Lacunza does not recommend enveloping the outside of appliances with insulation.

Never completely block off the lateral ventilation grilles of the fairing.

The installer must fit the necessary inspection accesses (trap doors, hatches, etc.) so that everything inside the hood that may need maintenance work, cleaning or replacement can be accessed at any time.

### 2.3.6. Preparing the outside air connection

On this model, it is possible to pipe air to the appliance for combustion straight from outdoors. We recommend that, if possible, air be drawn from outdoors for combustion via a non-closable pipe with a diameter of 80mm leading to the nozzle on the bottom-front of the appliance.

If the tube is straight, it can have a maximum of 12 meters in length. If you use accessories like elbows, you must subtract the total length (12 meters) 1 meter for each accessory used.

This is the best option because it means that draughts are not created in and oxygen is not consumed from the room in which the appliance is fitted. A further advantage is that there is no danger of downdraught which may hinder the correct updraught of the appliance when an extractor or mechanical ventilation appliance is used in the same room as the central-heating appliance or in another one alongside it.

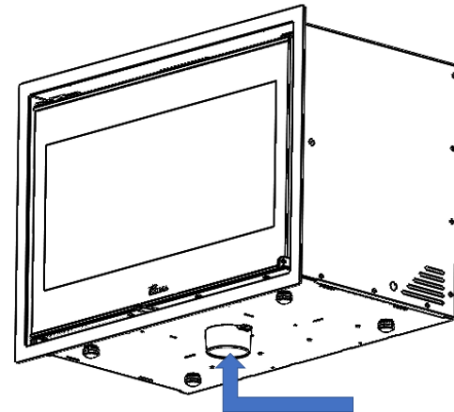


Figure No.7 - Air conduction for the combustion chamber

If this is not possible, ensure that the appliance receives air for combustion.

The device has an **accessory** to channel the air inlet from the rear. This accessory is **NOT** shipped as standard with the device.

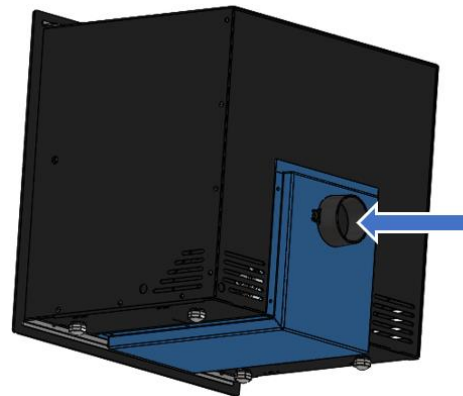
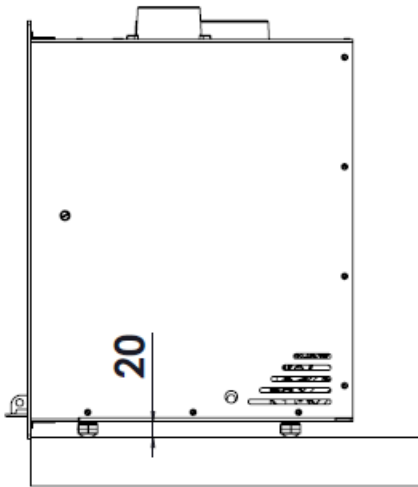


Figure No.8 - **Accessory** to channel the air inlet from the rear

### Outside air connection via the wall

1. Make an opening in the wall (see the measurements of the appliance on the section 1.1 to see the exact position of the hole).
2. Close the air connection hermetically to the wall.

**Attention:** The legs that ensure the proper distance between the base and the appliance can not be removed. This must be greater than 20 mm.



### 2.3.7. Connection to the flue

The appliance must be connected to the chimney flue using special piping designed to resist the products of combustion (e.g. stainless steel, enamelled steel, etc.).

To connect the flue to the socket flange, insert the piping inside the flange and seal the joint with fire sealant or fire cement to make it completely airtight.

The installer must ensure that the pipe connected to the appliance is well secured and there is no chance of it coming free from its housing (e.g. as a result of dilatation due to temperature, etc.).

On this appliance, the flue socket can be fitted on top of the appliance.

### 2.3.8. Piping air to other rooms

It is possible to pipe some of the heat generated to other rooms in the house using the appliance. This does not mean that the appliance works more efficiently, but it does mean that the heat it creates is distributed better. For this purpose, in the top surface of the appliance there are 2 potential hot-air outlets with diameters of 120mm on the top shell of the appliance. Pipes can be fitted from these outlets to other rooms. If you intend to do this, bear the following points in mind.

- The air ducts must always be heat insulated and smooth inside (not corrugated).
- The pipes must always have an upward slant to facilitate movement by air density.
- On routes with a lot of load loss (a lot of retention), air movement can be forced along the ducts using a motor or fan, provided that it is designed to withstand such temperature conditions.

Bear in mind that air ducts mean that noise travels more easily from one room to another.

The following table shows the heat output of the air from the hot-air outlets with the appliance working at Nominal Heat Output:

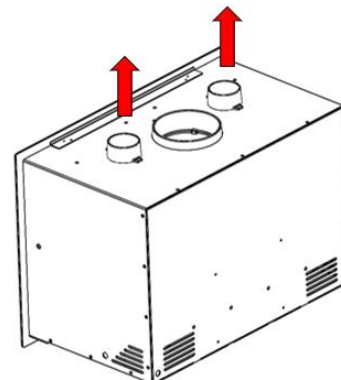


Figure No.9 - *Adour 500, Adour 600, Adour 700, Adour 800*

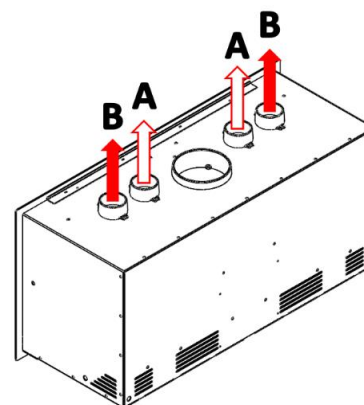


Figure No.10 - *Adour 1000*



	Output (kW)	
ADOUR 500	0.7	
ADOUR 600	0.7	
ADOUR 700	0.7	
ADOUR 800	0.7	
ADOUR 1000	A	0.9
	B	1.0

Figure No.11 - Table showing heat output of the air leaving the appliance

**Note:** The values shown in the above table were measured at the appliance output point and based on tests performed at nominal heat output and maximum fan speed.

All hot-air ducts lose heat, meaning that the heat output obtained at the end of piping always depends on its design.

The appliance ADOUR there are 2 potential hot-air outlets with diameters of 80mm on the top shell of the appliance.

1° Turn the piece from the back of the circle as seen in the images.

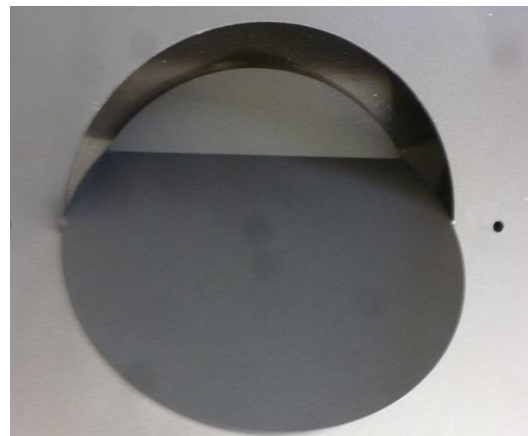
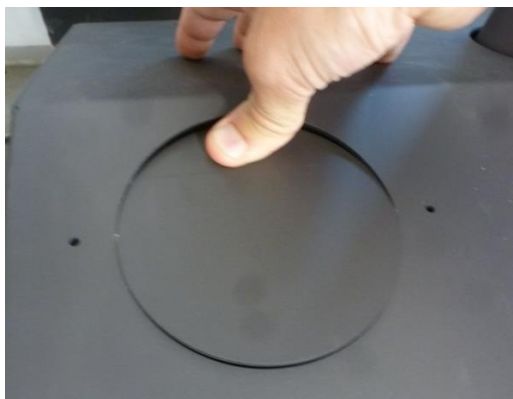
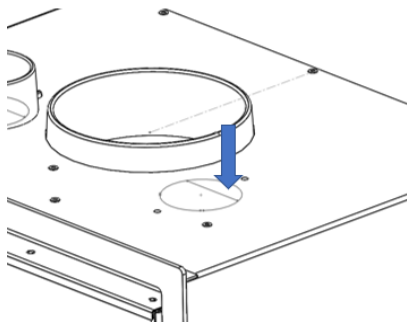


Figure No.12 - Push as indicated by arrow

This favors the movement of air into the air outlet.

2° Place the nozzle into position.

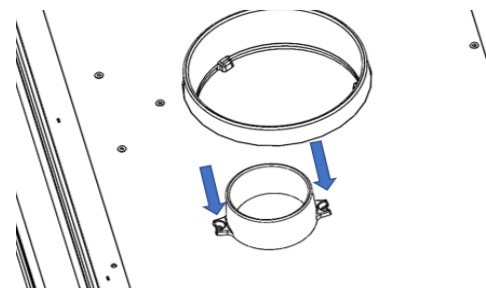


Figure No.13 - Screw the nozzle

### 2.3.9. Exterior Frame. Removal and assembly

To fit the frame, proceed as follows:

- Bend all the tabs located in the upper and lower part of the frame, as shown in the picture.

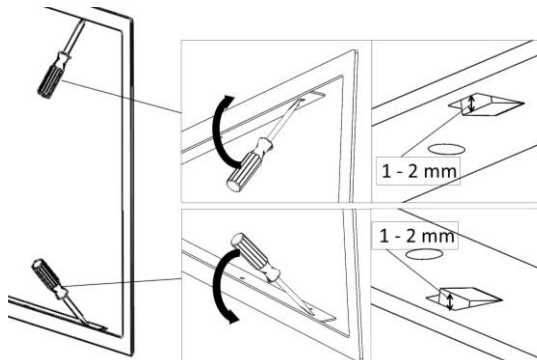


Figure No.14 - Bending the tabs

- Insert the frame in the appliance pressing.

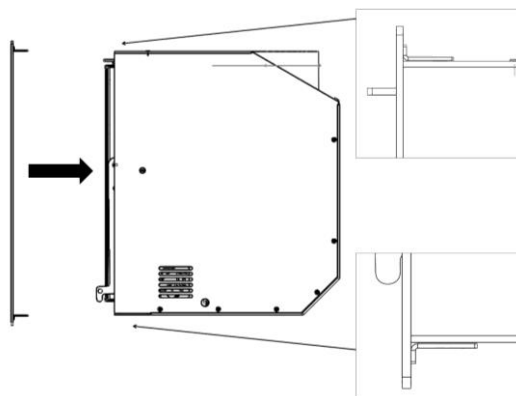


Figure No.1 - Insert frame in the appliance

- To remove the frame, perform the same operation in reverse order.

### 2.3.10. Turbine-potentiometer connection

These are the connection instructions in order to control the ventilator system using the supplied potentiometer.

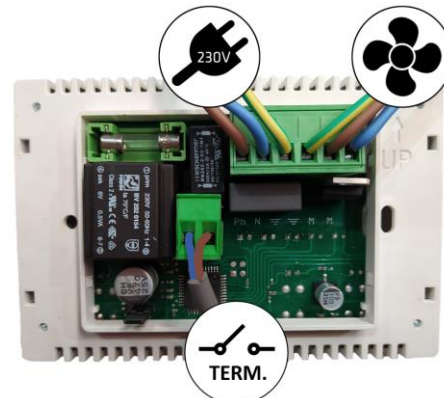


Figure No.1 - Connections to be carried out in the potentiometer

**WARNING:** the operating temperature of the potentiometer supplied by Lacunza is from 0 to 40°C. Particular care should be taken when choosing where it will be positioned so that it is not damaged by temperatures above 40°C. Insulate the potentiometer correctly so as to avoid this problem.

Read the potentiometer instruction manual.

## 2.4. Chimney flue

The chimney flue must comply with present standards on the installation of chimneys.

In rooms equipped with Controlled Mechanical Ventilation, the ventilation outlet must never be connected to the flue.

The appliance must always have its own chimney flue, never sharing a chimney flue with another appliance.

### 2.4.1. Type of flue

The flue must be made of special material designed to resist the products of combustion (e.g. stainless steel, enamelled steel, etc.).

Non-central-heating appliances (without back boiler) require an insulated, double-sleeve flue only on those sections

that run outdoors or through cold areas. Single piping can be used inside the building, the heat of the gases serving to heat rooms, insulating only those sections where excess temperature may cause damage.

If the chimney is constructed, then it is necessary to pipe and insulate it to ensure correct updraught.

The diameter of the pipe must be the same as the diameter of the flue socket on the appliance over its entire length in order to ensure correct operation.

The flue must prevent the entry of rainwater.

The flue must be clean and airtight over its entire length.

The flue must be at least 6m tall and the chimney cap must not hinder the free release of gases.

If the flue tends to suffer from downdraught, then it is necessary to fit an effective anti-downdraught cowl, a static cowl or a smoke extraction fan, or reshape the chimney.

Never make 90° bends, due to the great loss of draught they cause, and reduce 45° bends down to an absolute minimum. Each 45° bend is equivalent to a 0.5m reduction in flue length. Horizontal flue sections should not be installed because they cut updraught a great deal.

The appliance is designed to operate under controlled draught conditions. The appliance must operate at a chimney draught of between 12Pa and 15Pa. To ensure this draught, an automatic draught moderator must be installed in the flue. Uncontrolled draught operation can lead to quick damage of the appliance, which will not be covered by the warranty.

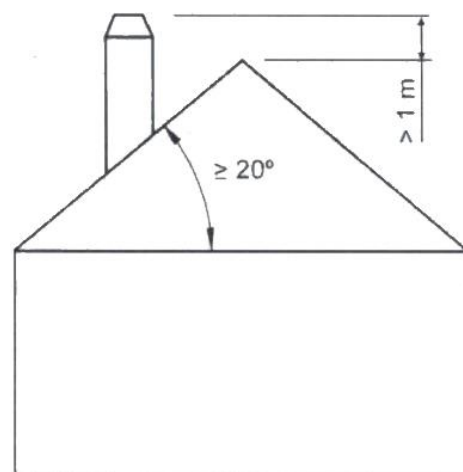
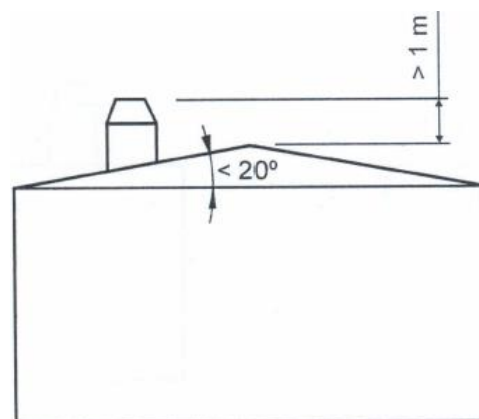
The flue must not rest its weight on the appliance, as this could damage the worktop.

Bear in mind that high temperatures may be reached in the flue, meaning that it is essential that insulation be enhanced in sections in which combustible material is present (wooden beams, furniture, etc.). It may even be necessary to protect non-combustible material in order to prevent breakage, deformation, etc., as a result of overheating if the material is not designed to withstand high temperatures.

It must be possible to clean the entire flue, no sections being left inaccessible for cleaning purposes.

#### 2.4.2. Chimney crown

The upper end of the chimney must clear the roof, the roof ridge or any obstacle located on the roof by at least 1m.



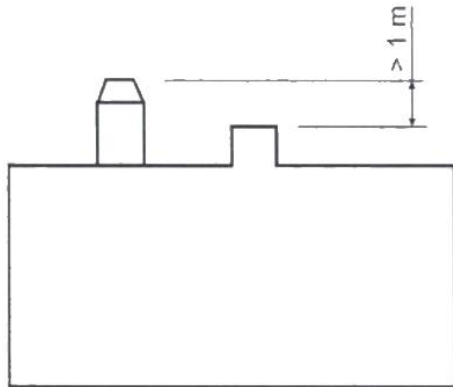


Figure No.2 - Distances between chimney crown and roof ridge

The chimney crown must clear the highest point of any neighbouring building or obstacle located within a 10m radius of the chimney outlet by more than 1m.

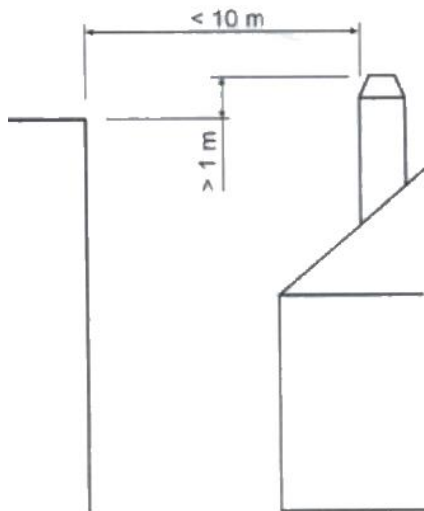


Figure No.3 - Distances between the chimney crown and objects within a 10m radius

The chimney crown must clear any neighbouring building or obstacle located within a radius of 10m to 20m from the chimney outlet.

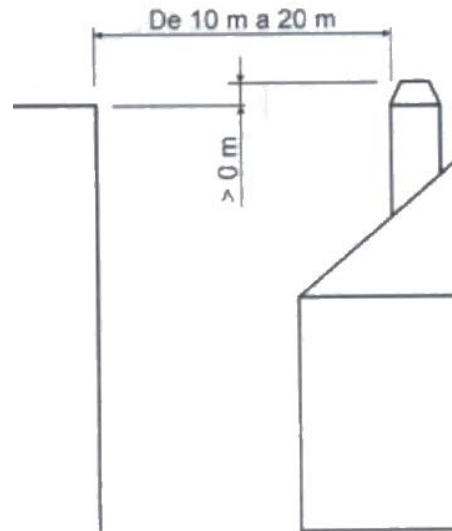


Figure No.4 - Distances between the chimney crown and objects within a radius of between 10 and 20m

### 3. INSTRUCTIONS OF USE

The manufacturer accepts no liability whatsoever for damage caused to parts as a result of the improper use of non-recommended fuels, modifications made to the appliance or how it is installed. **Only use original replacement parts.**

All local and national regulations, including those referring to national and European standards, must be observed when using the appliance.

Heat is diffused by radiation and convection via the front and exterior of the appliance.

#### 3.1. Fuel

This appliance must not be used as an incinerator. Do not use non-recommended fuels.

- Use dry logs (max. 16% humidity), cut at least 2 years ago, clean of resin and stored in a sheltered, ventilated place.
- Use hard woods with high calorie values and good ember production.
- Large logs should be cut to useable lengths before being stored. The logs should have a maximum diameter of 150mm.
- Finely-chopped wood produces greater heat output, but also burns more quickly.

Optimum fuels:

- Beech.

Other fuels:

- Oak, chestnut, ash, maple, birch, elm, etc.
- Pine and eucalyptus logs are low density and produce very long flames, and may cause the parts of the appliance to wear out more quickly than normal.

- Resinous wood may mean that the appliance and the flue need to be cleaned more often.

Non-permitted fuels:

- All types of coal and liquid fuel.
- “Green wood”. Green or damp wood reduces the performance of the appliance and leads to soot and tar build-up on the inner walls of the flue, obstructing it.
- “Recovered wood”. The burning of treated woods (railway sleepers, telegraph posts, plywood, fibreboard, pallets, etc.) quickly blocks the system (soot and tar build-up), harms the environment (pollution, smells) and may lead to deformation of the firebox due to overheating.
- All materials which are not wood (plastic, spray cans, etc.).
- Never use gasoline, gasoline-type lamp fuel, paraffin, charcoal lighter fluid, ethyl alcohol or similar liquids to ignite or rekindle a fire in the equipment. Keep all such liquids away from the equipment while it is in use.

Green and reprocessed wood may cause chimney fires.

The graph below shows how the humidity of firewood affects its heat output:

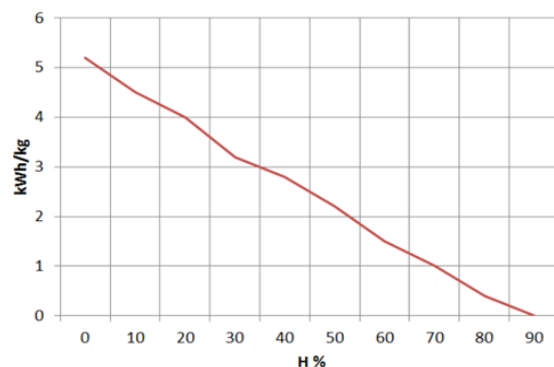


Figure No.5 - Relationship between firewood humidity and heat output.

## 3.2. Description of the parts of the appliance

### 3.2.1. Operating components

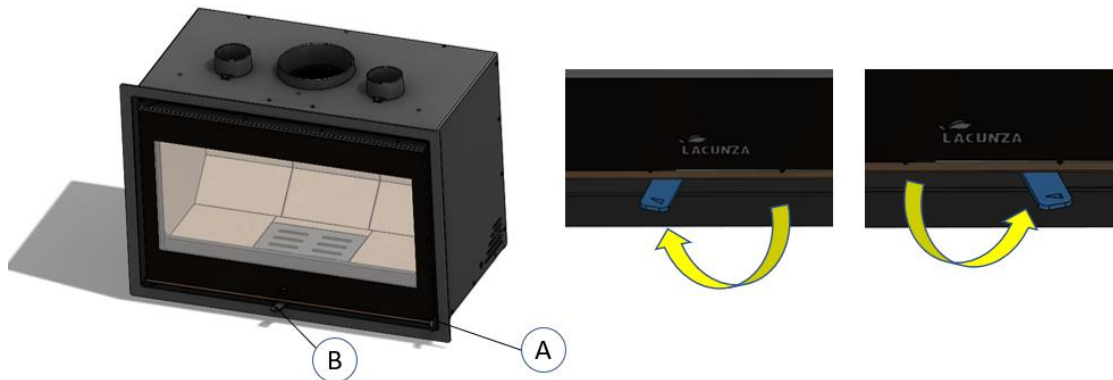


Figure No.6 - *Operating components on the appliance*

- A: Firebox door handle
- B: Air intake
  - B1 Closed (left)
  - B2 Opened (right)

### 3.3. Lighting

Use of the appliance in warm weather (warm days, early hours of the afternoon on sunny days) may lead to lighting and updraught problems.

Certain weather conditions, such as fog, ice, humidity entering the flue, etc., may hinder sufficient updraught in the flue and lead to suffocation.

Proceed as follows in order to light the appliance satisfactorily:

- Open the firebox door(s) and open all the firebox air-intake inlets to the full.
- Place paper or a firelighter and some wood chips in the firebox.
- Light the paper or firelighter.
- Leave the door slightly ajar, the width of two or three fingers, for about 15 minutes until the glass warms up.
- The first ignition must be soft, to allow the different parts that compose the appliance to dilate and dry.

**Caution:** On first switch-on, the appliance may produce smoke and odour. Do not be alarmed and open a window to the outside to air the room during the first hours of operation.

If you notice water around the appliance, this is caused by condensation from the moisture in the wood when the fire is lit. This condensation will cease after three or four ignitions when the appliance is adapted to its flue. If this is not the case, the flue should be checked (length and diameter of the chimney, chimney insulation, tightness) or the humidity of the wood used.

### 3.4. Loading fuel

In order to load firewood, open the firebox door gently, preventing the sudden entry of air to the firebox so that smoke

does not enter the room that the appliance is installed in. Perform this operation with the glove to prevent burns to the hands.

The maximum height of the load shall be approximately one third of the height of the firebox.

The minimum interval between loads for nominal heat output is 60 minutes.

Always load with the nominal amount (see table in section 1.1).

For minimum burning (e.g. at night), use thicker logs.

When the firebox is loaded, close the door.

Be careful when placing logs in the firebox on appliances with vermiculite interiors. Vermiculite is a fragile material and may crack if knocked. The use of wood with non-recommended humidity levels will quickly damage the vermiculite parts.

### 3.5. Operation

The appliance should be operated with the door closed.

For safety reasons, never close all the appliance's combustion-air intakes.

#### Regulation of the air intake for combustion

The appliance is equipped with a single control to regulate the primary, secondary and double combustion air intake.

By opening this register, we introduce air into the combustion chamber through the upper part of the firebox door and through the double combustion holes at the back of the firebox, and from a point, we introduce air into the firebox through the grill.

#### Air inlet registers

By opening these registers, we introduce air into the combustion chamber



through the upper part of the firebox door and into the combustion flame, generating a more efficient and less polluting combustion, as we carry out a post-combustion by burning the particles burnt in the first combustion. In this way we increase the appliance's efficiency and reduce emissions.

**IMPORTANT:** By keeping this register open, we will delay the soiling of the glass of the fireplace.

In order to obtain maximum output, open all the air intakes to the firebox and in order to obtain minimum output, tend towards closing them. For normal use, we recommend leave the Secondary open.

**IMPORTANT:** The appliance is exposed to extreme changes in temperature and may, as a result, make noises when in operation. These noises are a natural result of expansion/contraction of the parts which make up the appliance. Do not be alarmed by noises of this kind.

In class B or BE appliances (without combustion air ducting from the street), when the appliance is not in use, the appliance-flue duct assembly may represent a heat leakage route to the street. When the appliance is not in use, it is advisable to leave the air inlet registers to the combustion chamber closed to minimise these energy losses.

### 3.6. Removing ash

Following sustained use of the appliance, it is necessary to remove the ash from the firebox. Remove the ashpit box when cold or using something to prevent yourself from getting burned (glove).

Never throw hot embers into the rubbish.

Access the ashpit by opening the door on the appliance.

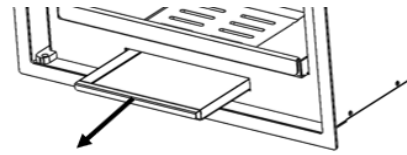


Figure No.7 - Remove ashpit.

**Warning!** It is very important to put the ashpit back in its housing at the bottom of the firebox after emptying it of ashes and before lighting the fire again! Do this by following the extraction process in reverse order.

### 3.7. Deflectors

The appliance has 2 deflectors.

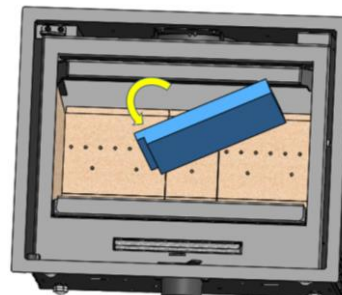
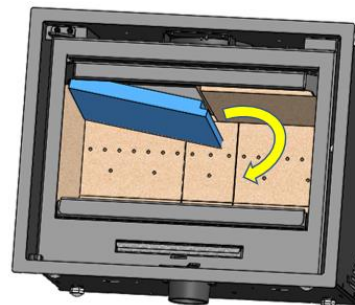
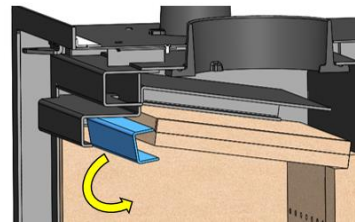


Figure No.8 - Dismantling the ADOUR vermiculite deflector





Figure No.9 - Dismantling the ADOUR steel deflector

### 3.8. Electrical system

#### Forced convection. Fans

ADOUR 500, ADOUR 600, ADOUR 700 AND ADOUR 800 models have 1 fan (ADOUR 1000 3 fans) for the forced convection of the hot air generated around

the appliance inside the shell. This air can be piped to other rooms.

**IMPORTANT:** This appliance is not covered by our warranty unless directly connected to the mains electricity supply in accordance with the conditions described in the relevant section in 1.1.

#### Potentiometer operation:

By means of its rotating lever, the potentiometer controls the flow of hot-air output from the appliance in two ways:

- **Operation:**

The fan automatically or manually starts working at the set speed. When the fan is working automatically (recommended), when a fire has been lit in the firebox and the thermostat reaches a temperature of approximately 50°C, the fan starts working at the power set on the potentiometer (rotating wheel) and stops automatically when the temperature drops beneath 50°C.

In addition, we have the option of stopping the fans from the Stop button, whenever we want.



The potentiometer has a remote control, which allows the same operations as the potentiometer.

The remote control of some TV brands may interfere with the potentiometer sensor and change its operation. To avoid possible interference, it is recommended to place the potentiometer in a place away from the TV.

For more information see the potentiometer instruction manual.

## 4. MAINTENANCE AND IMPORTANT ADVICE

### 4.1. Maintenance of the appliance

The appliance, the flue connector piping and the flue must be cleaned regularly, particularly following long periods without use.

#### 4.1.1. Firebox

Clean the firebox area of ash, etc.

#### 4.1.2. Inside the appliance

Clean the firebox area of ash. Clean the deflectors, where soot may build up.

#### 4.1.3. Flue socket

The flue socket area must be kept clean at all times for the appliance to work properly.

It must be cleaned as often as required. How often it is cleaned depends on how much the appliance is used and the type of fuel employed.

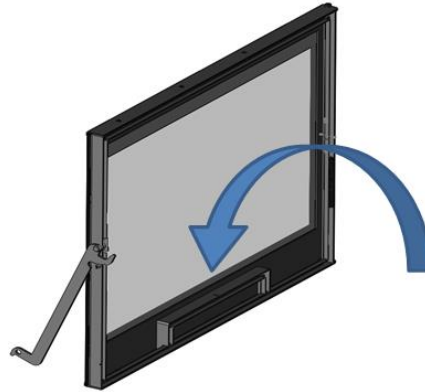
#### 4.1.4. Firebox glass

To keep the glass as clean as possible for as long as possible, the secondary air register should be kept open. However, over the hours of use, the glass may become dirty. To clean it, we will use specific degreasing products or dry cleaning products for this task.

The cleaning should be carried out with the glass cold and taking care not to apply the glass cleaner directly on the glass as, if it comes into contact with the door's closing cord, it may deteriorate. Put the cleaning product on the cloth.

It is also important to prevent the cleaning liquid from getting into the moving mechanism of the register, as this could jam it.

**Attention**, never let the product drip into the lower part of the glass. The accumulation of the cleaning product, with soot or ash residues, can damage the screen printing on the glass.



**Note:** If we use the appliance in draught conditions higher than 15Pa or burn more wood (per hour) than those indicated in table 1.1, we will subject the appliance to working conditions higher than those designed for it. This can lead to aggressive fouling of the glass (white halo), which cannot be cleaned by the traditional method.

**Caution**, the vitro ceramic glass is prepared to support 700°C. Never let burning woods or combustion flame beating against the glass for prolonged periods of time. In this case, the glass would be submit to temperatures above 750°C, this could change the internal structure of the glass and make it opaque (irreversible phenomenon).

#### 4.1.5. Painted sheet-steel-cast-iron parts.

These parts should be cleaned with a brush or dry cloth. Do not dampen the parts: the steel could rust and the paint could blister and chip. Be particularly careful when cleaning the glass: the liquids used must not dampen the painted steel.

#### 4.1.6. Electrical system

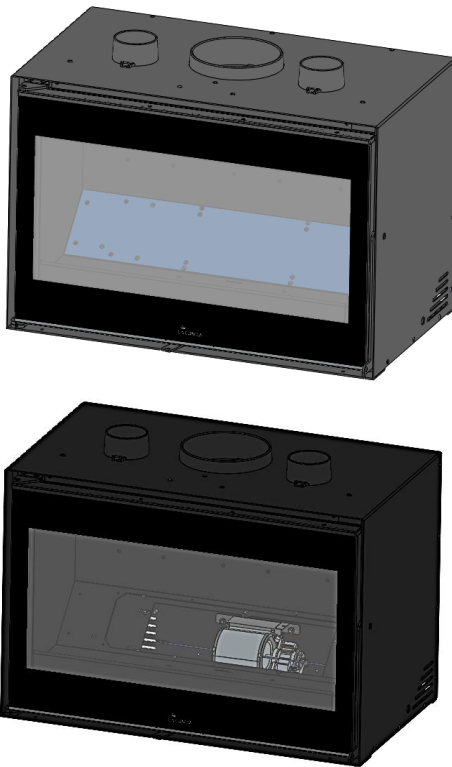
The electrical system should be cleaned-vacuumed regularly (depending on

the installation and use), so as to avoid the accumulation of ash, lint and other remains that may generate strange noises and/or deteriorate the ventilators and electrical system. Disconnect the electrical network system to perform this task.

Cleaning the electrical system:

Remove the inside of the appliance as indicated in section 3.7.

Release the two inner covers and access the fans.



#### 4.1.7. Air intake registers

In the air intake for combustion registers, remains of ash, sawdust,

cleaning fluids, etc. may accumulate, which restrict or hinder its movement. In these cases, they should be released and cleaned.

#### 4.2. Maintenance of the chimney flue

**VERY IMPORTANT:** In order to avoid incidents (chimney fires, etc.), it is necessary to perform maintenance and cleaning operations on a regular basis; if the appliance is used often, then the chimney and the flue connector piping must be swept several times a year.

In the event of fire in the chimney, close the flue draught, close doors and windows, remove embers from the firebox, block the connection hole with damp cloths and call the fire brigade.

#### 4.3. Important advice

Lacunza recommends that only Lacunza-authorized replacement parts be used.

Lacunza accepts no liability for any modification to the product which it has not authorized.







This appliance is a heat-producing appliance and contact may lead to burns.

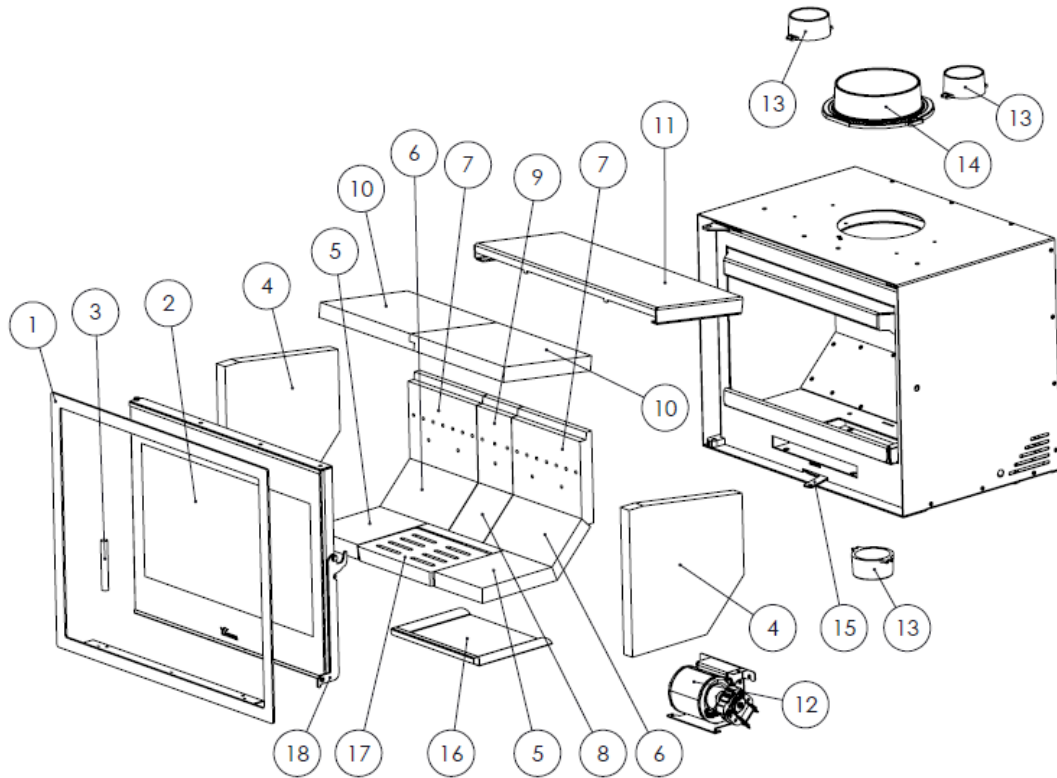
This appliance may remain HOT for a period of time after it has gone out. **MAKE SURE THAT SMALL CHILDREN DO NOT GO NEAR IT.**

## 5. TROUBLESHOOTING



This symbol means that a qualified professional should be called to perform the operation.

Problem	Probable causes		Solution
<b>The fire does not light properly The fire does not stay alight</b>	Green or damp wood		Use hard woods, cut at least 2 years ago and stored in a sheltered, ventilated place
	The logs are too large		Use crumpled paper or firelighters and dry wood chips to light the fire. Use split logs to keep the fire going
	Poor-quality wood		Use hard woods which produce heat and embers (chestnut, ash, maple, birch, elm, beech, etc.)
	Insufficient primary air		Open the primary- and secondary-air intakes completely, or even open the door slightly. Open the outdoor-air inlet grille
	Insufficient updraught		Check that the draught is not blocked. De-soot if necessary. Check that the flue is in perfect condition (airtight, insulated, dry, etc.)
<b>The fire flames up too much</b>	Excessive primary air		Close the primary- and secondary-air intakes partially or totally
	Excessive updraught		Install a draught damper
<b>Smoke given off on lighting</b>	Poor-quality wood		Do not continually burn chips, carpentry scraps (plywood, pallets, etc.)
	Cold flue		Heat up the flue by burning a piece of paper in the firebox.
<b>Smoke during burning</b>	The room is at low pressure		In rooms with Controlled Mechanical Ventilation, leave an outdoor window ajar until the fire is fully alight.
	Too little wood loaded		Load as recommended. Loads notably smaller than those recommended lead to low smoke temperature and downdraught.
	Insufficient updraught		Check the condition of the flue and insulation. Check that the piping is not blocked. Clean mechanically if necessary
	Wind enters the flue		Install an anti-downdraught system (Cowl) at the top of the chimney
<b>Does not warm up enough</b>	The room is at low pressure		In rooms with Controlled Mechanical Ventilation, there must be an outdoor-air inlet
	Poor-quality wood		Only use the recommended fuel
<b>The fans do not work</b>	Electrical fault		
<b>Water condenses (after the appliance has been lit more than 3 or 4 times)</b>	Too little wood loaded		Load as recommended. Loads notably smaller than those recommended lead to low smoke temperature and condensation.
	Green or damp wood		Use hard woods, cut at least 2 years ago and stored in a sheltered, ventilated place.
	Condition of the flue		Lengthen the flue (5-6 metres minimum). Insulate the flue properly. Check the airtightness of the flue/appliance.

**6. BASIC BREAKDOWNS**


<b>Nº</b>	<b>CÓDIGO</b>	<b>DENOMINACION</b>	<b>CANTIDAD</b>
1	5045000001	Adour 500 Cjto. marco	1
	5044600001	Adour 600 Cjto. marco	1
	5045100001	Adour 700 Cjto. marco	1
	5045200001	Adour 800 Cjto. marco	1
	5046200000	Adour 1000 Cjto. marco	1
2	5045000000	Adour 500 Cristal puerta hogar C/Junta	1
	5044600000	Adour 600 Cristal puerta hogar C/Junta	1
	5045100000	Adour 700 Cristal puerta hogar C/Junta	1
	5045200000	Adour 800 Cristal puerta hogar C/Junta	1
	5046200001	Adour 1000 Cristal puerta hogar C/Junta	1
3	509020000042	Cordón Negro Ø13mm	3 m
4	5040000906	Adour lateral vermiculita	2
5	5045000002	Base vermiculita Adour 500	2
	5044600002	Base vermiculita Adour 600	2
	5045100002	Base vermiculita Adour 700	2
	5045200002	Base vermiculita Adour 800	2
	5046200002	Base vermiculita Adour 1000	2
6	5040000907	Adour Vermiculita Trasero chaflan (Adour 500)	2
		Adour Vermiculita Trasero chaflan (Adour 600)	2
		Adour Vermiculita Trasero chaflan (Adour 700)	3
		Adour Vermiculita Trasero chaflan (Adour 800)	2
	5046200003	Vermiculita chaflán 300 (Adour 1000)	3
7	5040000908	Adour Vermiculita lateral trasero (Adour 500)	2
		Adour Vermiculita lateral trasero (Adour 600)	2
		Adour Vermiculita lateral trasero (Adour 700)	3
		Adour Vermiculita lateral trasero (Adour 800)	2
	5046200004	Vermiculita lateral trasera 300 (Adour 1000)	3
8	5040000909	Vermiculita trasera chaflan pequeña (Adour 500)	0
		Vermiculita trasera chaflan pequeña (Adour 600)	1
		Vermiculita trasera chaflan pequeña (Adour 700)	0
		Vermiculita trasera chaflan pequeña (Adour 800)	3
		Vermiculita trasera chaflan pequeña (Adour 1000)	0
9	5040000910	Vermiculita lateral trasera pequeña (Adour 500)	0
		Vermiculita lateral trasera pequeña (Adour 600)	1
		Vermiculita lateral trasera pequeña (Adour 700)	0
		Vermiculita lateral trasera pequeña (Adour 800)	3
		Vermiculita lateral trasera pequeña (Adour 1000)	0

<b>10</b>	5045000003	Adour 500 deflector vermiculita	2
	5044600003	Adour 600 deflector vermiculita	2
	5045100003	Adour 700 deflector vermiculita	2
	5045200003	Adour 800 deflector vermiculita	2
	5046200005	Adour 1000 deflector vermiculita	2
<b>11</b>	5045000004	Adour 500 deflector superior	1
	5044600004	Adour 600 superior deflector	1
	5045100004	Adour 700 superior deflector	1
	5045200004	Adour 800 superior deflector	1
	5046200006	Adour 1000 superior deflector	1
<b>12</b>	5040000911	Adour Turbina + carcasa (Adour 500)	1
		Adour Turbina + carcasa (Adour 600)	1
		Adour Turbina + carcasa (Adour 700)	1
		Adour Turbina + carcasa (Adour 800)	1
		Adour Turbina + carcasa (Adour 1000)	3
<b>13</b>	5040000912	Tobera Fundición Ent/Salida Aire D/80 (Adour 500)	3
		Tobera Fundición Ent/Salida Aire D/80 (Adour 600)	3
		Tobera Fundición Ent/Salida Aire D/80 (Adour 700)	3
		Tobera Fundición Ent/Salida Aire D/80 (Adour 800)	3
		Tobera Fundición Ent/Salida Aire D/80 (Adour 1000)	5
<b>14</b>	5040000913	Adour salida de humos diam 150	1
<b>15</b>	5040000914	Adour maneta común tiros	1
<b>16</b>	5040000915	Adour Cajón Cenicero	1
<b>17</b>	5040000904	Nickel-Adour, Parrilla hogar	1
<b>18</b>	5040000916	Adour Manilla puerta hogar	1
	5040000928	Potenciómetro ELX AIR SC21	1

## 7. PRODUCT RECYCLING

---

The recycling of the appliance is the exclusive responsibility of the owner, who must act in compliance with the laws in force in his country regarding safety, respect and protection of the environment. At the end of its useful life, the product must not be disposed of with urban waste.

It can be delivered to the specific selective collection centres set up by the municipalities, or to retailers who offer this service. The selective disposal of the product avoids possible negative consequences for the environment and for health and makes it possible to recover the materials of which it is composed, thus obtaining significant savings in terms of energy and resources.

It can be disassembled (the parts are assembled with screws or rivets) and the components can be deposited in their corresponding recycling channels. The components of the appliance are: steel, cast iron, glass, insulating materials, electrical material, etc.



## 8. DECLARATION OF PERFORMANCE



CH-S-032

**DECLARACIÓN DE PRESTACIONES** Conforme al R. E. Productos Construcción (UE) N° 305/2011

**DÉCLARATION DE PERFORMANCE** Selon le Règlement (UE) N° 305/2011

**DICHIARAZIONE DI PRESTAZIONE** In base al Regolamento (UE) N° 305/2011

**DECLARATION OF PERFORMANCE** According to Regulation (UE) N° 305/2011

**DECLARAÇÃO DE PRESTAÇÕES** Em base com o Regulamento (UE) N° 305/2011

- Nombre y/o código de identificación única del producto:  
Nom-code d'identification unique du produit  
Nome-codice identificativo unico del prodotto  
Unique identifier nome-code for product  
Nome-código de identificação único do produto
  - Marca, marque, marca, mark, marca: **Lacunza**
  - Tipo, type, tipo, type, tipo: **Insertable, Appareil insérable, Apparecchio a incasso, Insertable appliance, Aparelho encastrável**
  - Modelo, modèle, modello, model, modelo: **ADOUR 500**
- Uso o usos previstos del producto: Aparato insertable de carga manual, para quemar combustibles sólidos (indicado en instrucciones), cuya función es calentar el espacio en el que está instalado.  
**Utilisation prévue du produit:** Appareil insérable qui se charge manuellement, conçu pour brûler des combustibles solides (indiqués dans le Manuel d'Instructions), dont la fonction est de chauffer l'espace où il est installé.  
**Usi previsti del prodotto:** Apparecchio a incasso a carico manuale, per bruciare combustibili solidi (indicati nelle istruzioni), la cui funzione è riscaldare lo spazio in cui è installato.  
**Entended uses of the product:** Insertable appliance to be loaded by hand and designed to burn solid fuels (indicated in instructions), whose function is to heat the space in which it is installed.  
**Utilização prevista do produto:** Aparelho encastrável de carga manual, para queimar combustíveis sólidos (indicado nas instruções), cuja função é aquecer o espaço no qual está instalado.
- Nombre y dirección del fabricante: **LACUNZA KALOR GROUP S.A.L.**  
Nom et adresse du fabricant: **Pol. Ind. Ibarrea 5A, 31800 Alsasua (Navarra) (España)**  
Nome e indirizzo del fabbricante: **Téléfono: (0034) 948563511**  
Name and adress of the manufacturer: **Fax: (0034) 948563505**  
Nome e endereço do fabricante: **Email: comercial@lacunza.net**
- Sistema de evaluación y verificación de la constancia de las prestaciones: 3  
Système d'évaluation et contrôle de la constante de performance: 3  
Sistema di valutazione e verifica della costanza della prestazione: 3  
Assessment and verification system for constancy of performance: 3  
Sistema de avaliação e verificação da regularidade do desempenho: 3
- Organismo Notificado, Laboratoire notifié, Laboratorio notificato, Laboratory notified, Laboratório notificado:  
**RRF N° NB1625 Rhein-Ruhr Feuerstätten**  
**Prüfstelle GmbH**  
**Am Technologie Park 1 D-45307 ESSEN**  
Por el sistema, Selon le system, In base al system, Based on system, Em base ao system : 3.  
Documento emitido (fecha), Numéro du rapport d'essai (date), Numero rapporto di prova (data), Test report number (date), Número relação de prova (data): **29195239 (10-07-2019)**

**6. Prestaciones declaradas, Performance déclarée, Prestazioni dichiarate, Services declare, Desempenhos declarados:**

Especificaciones técnicas armonizadas, Spécifications techniques armonices, Specifica tecnica armonizzata, Harmonised technical specifications, Especifica técnica harmonizada EN13229:2001/A2:2004/AC:2007											
Características esenciales, Caractéristiques essentielles, Caratteristiche essenziali, Essential features, Características essenciais	Prestaciones, Performance, Prestazione, Services, Desempenho										
Reacción al fuego, Resistance au feu, Resistenza al fuoco, Resistance to fire, Resistência ao fogo	Cumple, Conforme, Conforme, Compliant, Em Conformidade										
Distancia mínima de seguridad a materiales combustibles, Distance minimum aux matériaux combustibles, Distanza minima da materiali combustibili, Minimum distance from combustible material, Distância mínimo de materiais combustíveis	<table border="0"> <tr> <td>Izquierda, gauche, sinistra, left, esquerda:</td> <td>200mm</td> </tr> <tr> <td>Derecha, droite, diritto, right, direito:</td> <td>200mm</td> </tr> <tr> <td>Trasera, arrière, retro, back, traseira:</td> <td>200mm</td> </tr> <tr> <td>Delantera, avant, fronte, front, frente:</td> <td>1440mm</td> </tr> <tr> <td>Encimera, dessus, sopra, above, acima:</td> <td>350mm</td> </tr> </table>	Izquierda, gauche, sinistra, left, esquerda:	200mm	Derecha, droite, diritto, right, direito:	200mm	Trasera, arrière, retro, back, traseira:	200mm	Delantera, avant, fronte, front, frente:	1440mm	Encimera, dessus, sopra, above, acima:	350mm
Izquierda, gauche, sinistra, left, esquerda:	200mm										
Derecha, droite, diritto, right, direito:	200mm										
Trasera, arrière, retro, back, traseira:	200mm										
Delantera, avant, fronte, front, frente:	1440mm										
Encimera, dessus, sopra, above, acima:	350mm										
Temperatura humos a potencia térmica nominal, Température des fumées, Temperatura fumi, Fume temperatura, Temperatura dos gases de combustão	291 °C										
CO 13% O2	0.07 %										
CO 13% O2	875 mg/m <sup>3</sup>										
NOx 13% O2	111 mg/m <sup>3</sup>										
OGC 13% O2	59 mg/m <sup>3</sup>										
PMHF	27 mg/m <sup>3</sup>										
Desprendimiento de sustancias peligrosas, Rejet de substances dangereuses, Rilascio di sostanze pericolose, Release of hazardous substances, Lançamento de substâncias perigosas	Cumple, Conforme, Conforme, Compliant, Em Conformidade										
Temperatura superficial, Température de surface, Temperatura superficiale, Surface temperatura, Temperatura superficial	Cumple, Conforme, Conforme, Compliant, Em Conformidade										
Seguridad eléctrica, Sécurité électrique, Sicurezza elettrica, Electrical safety, Segurança elétrica	Cumple, Conforme, Conforme, Compliant, Em Conformidade										
Presión máxima de servicio (paila), Pression maximale de service, Máxima pressione di esercizio, Maximun operating pressure, Máxima pressão de exercício	-										
Resistencia mecánica (para soportar una chimenea/un conducto de humos), Resistance mécanique (pour soutenir la cheminée), Resistenza mecánica (per supportare il camino), Mechanical strength (to support the fireplace), Resistência mecânica (para suportar a chaminé)	Cumple, Conforme, Conforme, Compliant, Em Conformidade										
Potencia térmica ambiente, Puissance rendue au milieu, Potenza resa all'ambiente, Power output to the environment, Potência libertada no ambiente	5.5 kW										
Potencia térmica agua, Puissance rendue à l'eau, Potenza ceduta all'acqua, Power transferred to water, Potência cedida à água	-										
Rendimiento energético, Rendement, Rendimento, Efficiency, Atuação	77 %										

Las prestaciones del producto identificado en el punto 1 son conformes con las prestaciones declaradas en el punto 6.

La performance du produit citée au point 1 est conforme à la performance declare au point 6.

La prestazione del prodotto di cui ai punti 1 è conforme alla prestazione dichiarata di cui al punto 6.

The performance of the product referred to in point 1 is consistent with the declared performance in point 6.

As declarações do produto identificado no ponto 1, estão conformes com as prestações declaradas no ponto 6.

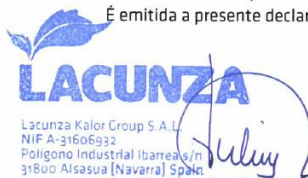
La presente declaración de prestaciones se emite bajo la única responsabilidad del fabricante, indicado en el punto 3.

Cette déclaration de performance est délivrée sous la responsabilité exclusive du fabricant cité au point 3.

Si rilascia la presente dichiarazione di prestazione sotto la responsabilità esclusiva del fabricante di cui al punto 3.

This declaration of performance is issued under the manufacturer's sole responsibility referred to in point 3.

É emitida a presente declaração de desempenho sob a responsabilidade exclusiva do fabricante referido no ponto 3.



**José Julián Garcandía Pellejero**  
Director Gerente

Alsasua 18-07-2019



CH-S-034

**DECLARACIÓN DE PRESTACIONES** Conforme al R. E. Productos Construcción (UE) N° 305/2011**DÉCLARATION DE PERFORMANCE** Selon le Règlement (UE) N° 305/2011**DICHIARAZIONE DI PRESTAZIONE** In base al Regolamento (UE) N° 305/2011**DECLARATION OF PERFORMANCE** According to Regulation (UE) N° 305/2011**DECLARAÇÃO DE PRESTAÇÕES** Em base com o Regulamento (UE) N° 305/2011

- Nombre y/o código de identificación única del producto:  
Nom-code d'identification unique du produit  
Nome-codice identificativo unico del prodotto  
Unique identifier nome-code for product  
Nome-código de identificação único do produto
  - Marca, marque, marca, mark, marca: **Lacunza**
  - Tipo, type, tipo, type, tipo: **Insertable, Appareil insérable, Apparecchio a incasso, Insertable appliance, Aparelho encastrável**
  - Modelo, modèle, modello, model, modelo: **ADOUR 600**
- Uso o usos previstos del producto: Aparato insertable de carga manual, para quemar combustibles sólidos (indicado en instrucciones), cuya función es calentar el espacio en el que está instalado.  
**Utilisation prévue du produit:** Appareil insérable qui se charge manuellement, conçu pour brûler des combustibles solides (indiqués dans le Manuel d'Instructions), dont la fonction est de chauffer l'espace où il est installé.  
**Usi previsti del prodotto:** Apparecchio a incasso a carico manuale, per bruciare combustibili solidi (indicati nelle istruzioni), la cui funzione è riscaldare lo spazio in cui è installato.  
**Entended uses of the product:** Insertable appliance to be loaded by hand and designed to burn solid fuels (indicated in instructions), whose function is to heat the space in which it is installed.  
**Utilização prevista do produto:** Aparelho encastrável de carga manual, para queimar combustíveis sólidos (indicado nas instruções), cuja função é aquecer o espaço no qual está instalado.
- Nombre y dirección del fabricante: **LACUNZA KALOR GROUP S.A.L.**  
Nom et adresse du fabricant: **Pol. Ind. Ibarrea 5A, 31800 Alsasua (Navarra) (España)**  
Nome e indirizzo del fabbricante: **Téléfono: (0034) 948563511**  
Name and address of the manufacturer: **Fax: (0034) 948563505**  
Nome e endereço do fabricante: **Email: comercial@lacunza.net**
- Sistema de evaluación y verificación de la constancia de las prestaciones: 3  
Système d'évaluation et contrôle de la constante de performance: 3  
Sistema di valutazione e verifica della costanza della prestazione: 3  
Assessment and verification system for constancy of performance: 3  
Sistema de avaliação e verificação da regularidade do desempenho: 3
- Organismo Notificado, Laboratoire notifié, Laboratorio notificato, Laboratory notified, Laboratório notificado:  
**RRF N° NB1625 Rhein-Ruhr Feuerstätten  
Prüfstelle GmbH  
Am Technologie Park 1 D-45307 ESSEN**  
Por el sistema, Selon le system, In base al system, Based on system, Em base ao system : 3.  
Documento emitido (fecha), Numéro du rapport d'essai (date), Numero rapporto di prova (data), Test report number (date), Número relação de prova (data): **29195351 (23-07-2019)**



6. Prestaciones declaradas, Performance déclarée, Prestazioni dichiarate, Services declare, Desempenhos declarados:

Especificaciones técnicas armonizadas, Spécifications techniques armoniques, Specifica tecnica armonizzata, Harmonised technical specifications, Especifica técnica harmonizada EN13229:2001/A2:2004/AC:2007											
Características esenciales, Caractéristiques essentielles, Caratteristiche essenziali, Essential features, Características essenciais	Prestaciones, Performance, Prestazione, Services, Desempenho										
Reacción al fuego, Resistance au feu, Resistenza al fuoco, Resistance to fire, Resistência ao fogo	Cumple, Conforme, Conforme, Compliant, Em Conformidade										
Distancia mínima de seguridad a materiales combustibles, Distance minimum aux matériaux combustibles, Distanza minima da materiali combustibili, Minimum distance from combustible material, Distância mínimo de materiais combustíveis	<table border="1"> <tr> <td>Izquierda, gauche, sinistra, left, esquerda:</td> <td>250mm</td> </tr> <tr> <td>Derecha, droite, diritto, right, direito:</td> <td>250mm</td> </tr> <tr> <td>Trasera, arrière, retro, back, traseira:</td> <td>250mm</td> </tr> <tr> <td>Delantera, avant, fronte, front, frente:</td> <td>1500mm</td> </tr> <tr> <td>Encimera, dessus, sopra, above, acima:</td> <td>350mm</td> </tr> </table>	Izquierda, gauche, sinistra, left, esquerda:	250mm	Derecha, droite, diritto, right, direito:	250mm	Trasera, arrière, retro, back, traseira:	250mm	Delantera, avant, fronte, front, frente:	1500mm	Encimera, dessus, sopra, above, acima:	350mm
Izquierda, gauche, sinistra, left, esquerda:	250mm										
Derecha, droite, diritto, right, direito:	250mm										
Trasera, arrière, retro, back, traseira:	250mm										
Delantera, avant, fronte, front, frente:	1500mm										
Encimera, dessus, sopra, above, acima:	350mm										
Temperatura humos a potencia térmica nominal, Température des fumées, Temperatura fumi, Fume temperatura, Temperatura dos gases de combustão	288 °C										
CO 13% O2	0.09 %										
CO 13% O2	1125 mg/m <sup>3</sup>										
NOx 13% O2	115 mg/m <sup>3</sup>										
OGC 13% O2	69 mg/m <sup>3</sup>										
PM <sub>10</sub>	79 mg/m <sup>3</sup>										
Desprendimiento de sustancias peligrosas, Rejet de substances dangereuses, Rilascio di sostanze pericolose, Release of hazardous substances, Lançamento de substâncias perigosas	Cumple, Conforme, Conforme, Compliant, Em Conformidade										
Temperatura superficial, Température de surface, Temperatura superficiale, Surface temperatura, Temperatura superficial	Cumple, Conforme, Conforme, Compliant, Em Conformidade										
Seguridad eléctrica, Sécurité électrique, Sicurezza elettrica, Electrical safety, Segurança elétrica	Cumple, Conforme, Conforme, Compliant, Em Conformidade										
Presión máxima de servicio (paila), Pression maximale de service, Máxima pressione di esercizio, Maximun operating pressure, Máxima pressão de exercício	-										
Resistencia mecánica (para soportar una chimenea/un conducto de humos), Résistance mécanique (pour soutenir la cheminée), Resistenza mecánica (per supportare il camino), Mechanical strength (to support the fireplace), Resistência mecânica (para suportar a chaminé)	Cumple, Conforme, Conforme, Compliant, Em Conformidade										
Potencia térmica ambiente, Puissance rendue au milieu, Potenza resa all'ambiente, Power output to the environment, Potência libertada no ambiente	7 kW										
Potencia térmica agua, Puissance rendue à l'eau, Potenza ceduta all'acqua, Power transferred to wáter, Potência cedida à água	-										
Rendimiento energético, Rendement, Rendimento, Efficiency, Atuação	77 %										

Las prestaciones del producto identificado en el punto 1 son conformes con las prestaciones declaradas en el punto 6.  
 La performance du produit cité au point 1 est conforme à la performance declare au point 6.  
 La prestazione del prodotto di cui ai punti 1 è conforme alla prestazione dichiarata di cui al punto 6.  
 The performance of the product referred to in point 1 is consistent with the declared performance in point 6.  
 As declarações do produto identificado no ponto 1, estão conformes com as prestações declaradas no ponto 6.

La presente declaración de prestaciones se emite bajo la única responsabilidad del fabricante, indicado en el punto 3.  
 Cette déclaration de performance est délivrée sous la responsabilité exclusive du fabricant cité au point 3.  
 Si rilascia la presente dichiarazione di prestazione sotto la responsabilità esclusiva del fabricante di cui al punto 3.  
 This declaration of performance is issued under the manufacturer's sole responsibility referred to in point 3.  
 É emitida a presente declaração de desempenho sob a responsabilidade exclusiva do fabricante referido no ponto 3.



CH-S-036

**DECLARACIÓN DE PRESTACIONES** Conforme al R. E. Productos Construcción (UE) N° 305/2011**DÉCLARATION DE PERFORMANCE** Selon le Règlement (UE) N° 305/2011**DICHIARAZIONE DI PRESTAZIONE** In base al Regolamento (UE) N° 305/2011**DECLARATION OF PERFORMANCE** According to Regulation (UE) N° 305/2011**DECLARAÇÃO DE PRESTAÇÕES** Em base com o Regulamento (UE) N° 305/2011

1. Nombre y/o código de identificación única del producto:  
Nom-code d'identification unique du produit  
Nome-codice identificativo unico del prodotto  
Unique identifier nome-code for product  
Nome-código de identificação único do produto
  - Marca, marque, marca, mark, marca: **Lacunza**
  - Tipo, type, tipo, type, tipo: **Insertable, Appareil insérable, Apparecchio a incasso, Insertable appliance, Aparelho encastrável**
  - Modelo, modèle, modello, model, modelo: **ADOUR 700**
2. **Uso o usos previstos del producto:** Aparato insertable de carga manual, para quemar combustibles sólidos (indicado en instrucciones), cuya función es calentar el espacio en el que está instalado.  
**Utilisation prévue du produit:** Appareil insérable qui se charge manuellement, conçu pour brûler des combustibles solides (indiqués dans le Manuel d'Instructions), dont la fonction est de chauffer l'espace où il est installé.  
**Usi previsti del prodotto:** Apparecchio a incasso a carico manuale, per bruciare combustibili solidi (indicati nelle istruzioni), la cui funzione è riscaldare lo spazio in cui è installato.  
**Entended uses of the product:** Insertable appliance to be loaded by hand and designed to burn solid fuels (indicated in instructions), whose function is to heat the space in which it is installed.  
**Utilização prevista do produto:** Aparelho encastrável de carga manual, para quemar combustíveis sólidos (indicado nas instruções), cuja função é aquecer o espaço no qual está instalado.
3. Nombre y dirección del fabricante: **LACUNZA KALOR GROUP S.A.L.**  
Nom et adresse du fabricant: **Po. Ind. Ibarrea 5A, 31800 Alsasua (Navarra) (España)**  
Nome e indirizzo del fabbricante: **Téléfono: (0034) 948563511**  
Name and adress of the manufacturer: **Fax: (0034) 948563505**  
Nome e endereço do fabricante: **Email: comercial@lacunza.net**
4. Sistema de evaluación y verificación de la constancia de las prestaciones: **3**  
Système d'évaluation et contrôle de la constante de performance: **3**  
Sistema di valutazione e verifica della costanza della prestazione: **3**  
Assessment and verification system for constancy of performance: **3**  
Sistema de avaliação e verificação da regularidade do desempenho: **3**
5. Organismo Notificado, Laboratoire notifié, Laboratorio notificato, Laboratory notified, Laboratório notificado: **STROJÍRENSKÝ ZKUŠEBNÍ ÚSTAV, S.P.**  
**Engineering Test Institute, Public Enterprise**  
**Hudcova 424/56b, 621 00 Brno, Czech Republic. Notified Body 1015**  
Por el sistema, Selon le system, In base al system, Based on system, Em base ao system : **3.**  
Documento emitido (fecha), Numéro du rapport d'essai (date), Numero rapporto di prova (data), Test report number (date), Número relação de prova (data): **39-16889/1/T (05-06-2023)**

6. Prestaciones declaradas, Performance déclarée, Prestazioni dichiarate, Services declare, Desempenhos declarados:

Especificaciones técnicas armonizadas, Spécifications techniques armonices, Specifica tecnica armonizzata, Harmonised technical specifications, Especifica técnica harmonizada <b>EN13229:2001/A2:2004/AC:2007</b>											
Características esenciales, Caractéristiques essentielles, Caratteristiche essenziali, Essential features, Características essenciais	Prestaciones, Performance, Prestazione, Services, Desempenho										
Reacción al fuego, Résistance au feu, Resistenza al fuoco, Resistance to fire, Resistência ao fogo	<b>Cumple, Conforme, Conforme, Compliant, Em Conformidade</b>										
Distancia mínima de seguridad a materiales combustibles, Distance minimum aux matériaux combustibles, Dintanza minima da materiali combustibili, Minimum distance from combustible material, Distância mínimo de materiais combustíveis	<table border="1"> <tr> <td>Izquierda, gauche, sinistra, left, esquerda:</td> <td><b>250mm</b></td> </tr> <tr> <td>Derecha, droite, diritto, right, direito:</td> <td><b>250mm</b></td> </tr> <tr> <td>Trasera, arrière, retro, back, traseira:</td> <td><b>250mm</b></td> </tr> <tr> <td>Delantera, avant, fronte, front, frente:</td> <td><b>1500mm</b></td> </tr> <tr> <td>Encimera, dessus, sopra, above, acima:</td> <td><b>350mm</b></td> </tr> </table>	Izquierda, gauche, sinistra, left, esquerda:	<b>250mm</b>	Derecha, droite, diritto, right, direito:	<b>250mm</b>	Trasera, arrière, retro, back, traseira:	<b>250mm</b>	Delantera, avant, fronte, front, frente:	<b>1500mm</b>	Encimera, dessus, sopra, above, acima:	<b>350mm</b>
Izquierda, gauche, sinistra, left, esquerda:	<b>250mm</b>										
Derecha, droite, diritto, right, direito:	<b>250mm</b>										
Trasera, arrière, retro, back, traseira:	<b>250mm</b>										
Delantera, avant, fronte, front, frente:	<b>1500mm</b>										
Encimera, dessus, sopra, above, acima:	<b>350mm</b>										
Temperatura humos a potencia térmica nominal, Température des fumées, Temperatura fumi, Fume temperatura, Temperatura dos gases de combustão	<b>231 °C</b>										
CO 13% O2	<b>0,09 %</b>										
CO 13% O2	<b>1130 mg/m<sup>3</sup></b>										
NOx 13% O2	<b>79 mg/m<sup>3</sup></b>										
OGC 13% O2	<b>70 mg/m<sup>3</sup></b>										
PMHF	<b>27 mg/m<sup>3</sup></b>										
Desprendimiento de sustancias peligrosas, Rejet de substances dangereuses, Rilascio di sostanze pericolose, Release of hazardous substances, Lançamento de substâncias perigosas	<b>Cumple, Conforme, Conforme, Compliant, Em Conformidade</b>										
Temperatura superficial, Température de surface, Temperatura superficiale, Surface temperatura, Temperatura superficial	<b>Cumple, Conforme, Conforme, Compliant, Em Conformidade</b>										
Seguridad eléctrica, Sécurité électrique, Sicurezza elettrica, Electrical safety, Segurança elétrica	<b>Cumple, Conforme, Conforme, Compliant, Em Conformidade</b>										
Presión máxima de servicio (paila), Pression maximale de service, Máxima pressione di esercizio, Maximun operating pressure, Máxima pressão de exercício	-										
Resistencia mecánica (para soportar una chimenea/un conducto de humos), Résistance mécanique (pour soutenir la cheminée), Resistenza mecánica (per supportare il camino), Mechanical strength (to support the fireplace), Resistência mecânica (para suportar a chaminé)	<b>Cumple, Conforme, Conforme, Compliant, Em Conformidade</b>										
Potencia térmica ambiente, Puissance rendue au milieu, Potenza resa all'ambiente, Power output to the environment, Potência libertada no ambiente	<b>7 kW</b>										
Potencia térmica agua, Puissance rendue à l'eau, Potenza ceduta all'acqua, Power transferred to water, Potência cedida à água	-										
Rendimiento energético, Rendement, Rendimento, Efficiency, Atuação	<b>82 %</b>										

Las prestaciones del producto identificado en el punto 1 son conformes con las prestaciones declaradas en el punto 6.

La performance du produit citée au point 1 est conforme à la performance declare au point 6.

La prestazione del prodotto di cui ai punti 1 è conforme alla prestazione dichiarata di cui al punto 6.

The performance of the product referred to in point 1 is consistent with the declared performance in point 6.

As declarações do produto identificado no ponto 1, estão conformes com as prestações declaradas no ponto 6.

La presente declaración de prestaciones se emite bajo la única responsabilidad del fabricante, indicado en el punto 3.

Cette déclaration de performance est délivrée sous la responsabilité exclusive du fabricant cité au point 3.

Si rilascia la presente dichiarazione di prestazione sotto la responsabilità esclusiva del fabricante di cui al punto 3.

This declaration of performance is issued under the manufacturer's sole responsibility referred to in point 3.

É emitida a presente declaração de desempenho sob a responsabilidade exclusiva do fabricante referido no ponto 3.



**José Julián Garciandía Pellejero**  
Director Gerente

Alsasua 05-02-2023





CH-S-038

**DECLARACIÓN DE PRESTACIONES** Conforme al R. E. Productos Construcción (UE) N° 305/2011**DÉCLARATION DE PERFORMANCE** Selon le Règlement (UE) N° 305/2011**DICHIARAZIONE DI PRESTAZIONE** In base al Regolamento (UE) N° 305/2011**DECLARATION OF PERFORMANCE** According to Regulation (UE) N° 305/2011**DECLARAÇÃO DE PRESTAÇÕES** Em base com o Regulamento (UE) N° 305/2011

1. Nombre y/o código de identificación única del producto:  
Nom-code d'identification unique du produit  
Nome-codice identificativo unico del prodotto  
Unique identifier nome-code for product  
Nome-código de identificação único do produto
  - Marca, marque, marca, mark, marca: **Lacunza**
  - Tipo, type, tipo, type, tipo: **Insertable, Appareil insérable, Apparecchio a incasso, Insertable appliance, Aparelho encastrável**
  - Modelo, modèle, modello, model, modelo: **ADOUR 800**
2. **Uso o usos previstos del producto:** Aparato insertable de carga manual, para quemar combustibles sólidos (indicado en instrucciones), cuya función es calentar el espacio en el que está instalado.  
**Utilisation prévue du produit:** Appareil insérable qui se charge manuellement, conçu pour brûler des combustibles solides (indiqués dans le Manuel d'Instructions), dont la fonction est de chauffer l'espace où il est installé.  
**Usi previsti del prodotto:** Apparecchio a incasso a carico manuale, per bruciare combustibili solidi (indicati nelle istruzioni), la cui funzione è riscaldare lo spazio in cui è installato.  
**Entended uses of the product:** Insertable appliance to be loaded by hand and designed to burn solid fuels (indicated in instructions), whose function is to heat the space in which it is installed.  
**Utilização prevista do produto:** Aparelho encastrável de carga manual, para queimar combustíveis sólidos (indicado nas instruções), cuja função é aquecer o espaço no qual está instalado.
3. Nombre y dirección del fabricante: **LACUNZA KALOR GROUP S.A.L.**  
Nom et adresse du fabricant: **PoI. Ind. Ibarrea 5A, 31800 Alsasua (Navarra) (España)**  
Nome e indirizzo del fabbricante: **Téléfono: (0034) 948563511**  
Name and address of the manufacturer: **Fax: (0034) 948563505**  
Nome e endereço do fabricante: **Email: comercial@lacunza.net**
4. Sistema de evaluación y verificación de la constancia de las prestaciones: **3**  
Système d'évaluation et contrôle de la constante de performance: **3**  
Sistema di valutazione e verifica della costanza della prestazione: **3**  
Assessment and verification system for constancy of performance: **3**  
Sistema de avaliação e verificação da regularidade do desempenho: **3**
5. Organismo Notificado, Laboratoire notifié, Laboratorio notificato, Laboratory notified, Laboratório notificado: **RRF N° NB1625 Rhein-Ruhr Feuerstätten Prüfstelle GmbH**  
**Am Technologie Park 1 D-45307 ESSEN**  
Por el sistema, Selon le system, In base al system, Based on system, Em base ao system : **3.**  
Documento emitido (fecha), Numéro du rapport d'essai (date), Numero rapporto di prova (data), Test report number (date), Número relação de prova (data): **29195261 (10-07-2019)**

**6. Prestaciones declaradas, Performance déclarée, Prestazioni dichiarate, Services declare, Desempenhos declarados:**

Especificaciones técnicas armonizadas, Spécifications techniques armoniques, Specifica tecnica armonizzata, Harmonised technical specifications, Especifica técnica harmonizada EN13229:2001/A2:2004/AC:2007											
Características esenciales, Caractéristiques essentielles, Caratteristiche essenziali, Essential features, Características essenciais	Prestaciones, Performance, Prestazione, Services, Desempenho										
Reacción al fuego, Resistance au feu, Resistenza al fuoco, Resistance to fire, Resistência ao fogo	Cumple, Conforme, Conforme, Compliant, Em Conformidade										
Distancia mínima de seguridad a materiales combustibles, Distance minimum aux matériaux combustibles, Dintanza minima da materiali combustibili, Minimum distance from combustible material, Distância mínimo de materiais combustíveis	<table border="1"> <tr> <td>Izquierda, gauche, sinistra, left, esquerda:</td> <td>250mm</td> </tr> <tr> <td>Derecha, droite, diritto, right, direito:</td> <td>250mm</td> </tr> <tr> <td>Trasera, arrière, retro, back, traseira:</td> <td>250mm</td> </tr> <tr> <td>Delantera, avant, fronte, front, frente:</td> <td>1500mm</td> </tr> <tr> <td>Encimera, dessus, sopra, above, acima:</td> <td>350mm</td> </tr> </table>	Izquierda, gauche, sinistra, left, esquerda:	250mm	Derecha, droite, diritto, right, direito:	250mm	Trasera, arrière, retro, back, traseira:	250mm	Delantera, avant, fronte, front, frente:	1500mm	Encimera, dessus, sopra, above, acima:	350mm
Izquierda, gauche, sinistra, left, esquerda:	250mm										
Derecha, droite, diritto, right, direito:	250mm										
Trasera, arrière, retro, back, traseira:	250mm										
Delantera, avant, fronte, front, frente:	1500mm										
Encimera, dessus, sopra, above, acima:	350mm										
Temperatura humos a potencia térmica nominal, Température des fumées, Temperatura fumi, Fume temperatura, Temperatura dos gases de combustão	316 °C										
CO 13% O2	0.06 %										
CO 13% O2	750 mg/m <sup>3</sup>										
NOx 13% O2	123 mg/m <sup>3</sup>										
OGC 13% O2	64 mg/m <sup>3</sup>										
PM <sub>HF</sub>	30 mg/m <sup>3</sup>										
Desprendimiento de sustancias peligrosas, Rejet de substances dangereuses, Rilascio di sostanze pericolose, Release of hazardous substances, Lançamento de substâncias perigosas	Cumple, Conforme, Conforme, Compliant, Em Conformidade										
Temperatura superficial, Température de surface, Temperatura superficiale, Surface temperatura, Temperatura superficial	Cumple, Conforme, Conforme, Compliant, Em Conformidade										
Seguridad eléctrica, Sécurité électrique, Sicurezza elettrica, Electrical safety, Segurança elétrica	Cumple, Conforme, Conforme, Compliant, Em Conformidade										
Presión máxima de servicio (paila), Pression maximale de service, Máxima pressione di esercizio, Maximun operating pressure, Máxima pressão de exercício	-										
Resistencia mecánica (para soportar una chimenea/un conducto de humos), Résistance mécanique (pour soutenir la cheminée), Resistenza mecánica (per supportare il camino), Mechanical strength (to support the fireplace), Resistência mecânica (para suportar a chaminé)	Cumple, Conforme, Conforme, Compliant, Em Conformidade										
Potencia térmica ambiente, Puissance rendue au milieu, Potenza resa all'ambiente, Power output to the environment, Potência libertada no ambiente	10 kW										
Potencia térmica agua, Puissance rendue à l'eau, Potenza ceduta all'acqua, Power transferred to wáter, Potência cedida à água	-										
Rendimiento energético, Rendement, Rendimento, Efficiency, Atuação	79 %										

Las prestaciones del producto identificado en el punto 1 son conformes con las prestaciones declaradas en el punto 6.  
 La performance du produit citée au point 1 est conforme à la performance declare au point 6.  
 La prestazione del prodotto di cui ai punti 1 è conforme alla prestazione dichiarata di cui al punto 6.  
 The performance of the product referred to in point 1 is consistent with the declared performance in point 6.  
 As declarações do produto identificado no ponto 1, estão conformes com as prestações declaradas no ponto 6.

La presente declaración de prestaciones se emite bajo la única responsabilidad del fabricante, indicado en el punto 3.  
 Cette déclaration de performance est délivrée sous la responsabilité exclusive du fabricant cité au point 3.  
 Si rilascia la presente dichiarazione di prestazione sotto la responsabilità esclusiva del fabricante di cui al punto 3.  
 This declaration of performance is issued under the manufacturer's sole responsibility referred to in point 3.  
 É emitida a presente declaração de desempenho sob a responsabilidade exclusiva do fabricante referido no ponto 3.



Lacunza Kalor Group S.A.L.  
 NIF A-31605932  
 Polígono Industrial Ibarrea 9  
 31800 Alsasua (Navarra), Spain

**José Julián García Díez Pellejero**  
 Director Gerente

Alsasua 18-07-2019





CH-S-051

**DECLARACIÓN DE PRESTACIONES** Conforme al R. E. Productos Construcción (UE) Nº 305/2011**DÉCLARATION DE PERFORMANCE** Selon le Règlement (UE) Nº 305/2011**DICHIARAZIONE DI PRESTAZIONE** In base al Regolamento (UE) Nº 305/2011**DECLARATION OF PERFORMANCE** According to Regulation (UE) Nº 305/2011**DECLARAÇÃO DE PRESTAÇÕES** Em base com o Regulamento (UE) Nº 305/2011

1. Nombre y/o código de identificación única del producto:  
Nom-code d'identification unique du produit  
Nome-codice identificativo unico del prodotto  
Unique identifier nome-code for product  
Nome-código de identificação único do produto
  - Marca, marque, marca, mark, marca: **Lacunza**
  - Tipo, type, tipo, type, tipo: **Insertable, Appareil insérable, Apparecchio a incasso, Insertable appliance, Aparelho encastrável**
  - Modelo, modèle, modello, model, modelo: **ADOUR 1000**
2. **Uso o usos previstos del producto:** Aparato insertable de carga manual, para quemar combustibles sólidos (indicado en instrucciones), cuya función es calentar el espacio en el que está instalado.  
**Utilisation prévue du produit:** Appareil insérable qui se charge manuellement, conçu pour brûler des combustibles solides (indiqués dans le Manuel d'Instructions), dont la fonction est de chauffer l'espace où il est installé.  
**Usi previsti del prodotto:** Apparecchio a incasso a carico manuale, per bruciare combustibili solidi (indicati nelle istruzioni), la cui funzione è riscaldare lo spazio in cui è installato.  
**Entended uses of the product:** Insertable appliance to be loaded by hand and designed to burn solid fuels (indicated in instructions), whose function is to heat the space in which it is installed.  
**Utilização prevista do produto:** Aparelho encastrável de carga manual, para queimar combustíveis sólidos (indicado nas instruções), cuja função é aquecer o espaço no qual está instalado.
3. Nombre y dirección del fabricante: **LACUNZA KALOR GROUP S.A.L.**  
Nom et adresse du fabricant: **Pol. Ind. Ibarrea 5A 31800 Alsasua (Navarra) (España)**  
Nome e indirizzo del fabbricante: **Téléfono: (0034) 948563511**  
Name and adress of the manufacturer: **Fax: (0034) 948563505**  
Nome e endereço do fabricante: **Email: comercial@lacunza.net**
4. Sistema de evaluación y verificación de la constancia de las prestaciones: **3**  
Système d'évaluation et contrôle de la constante de performance: **3**  
Sistema di valutazione e verifica della costanza della prestazione: **3**  
Assessment and verification system for constancy of performance: **3**  
Sistema de avaliação e verificação da regularidade do desempenho: **3**
5. Organismo Notificado, Laboratoire notifié, Laboratorio notificato, Laboratory notified, Laboratório notificado:  
**STROJÍRENSKÝ ZKUŠEBNÍ ÚSTAV, S.P.**  
**Engineering Test Institute, Public Enterprise**  
**Hudcova 424/56b, 621 00 Brno, Czech Republic. Notified Body 1015**  
Por el sistema, Selon le system, In base al system, Based on system, Em base ao system : **3.**  
Documento emitido (fecha), Numéro du rapport d'essai (date), Numero rapporto di prova (data), Test report number (date), Número relação de prova (data): **CPR-B-00941-22 (31-05-2022)**

**6. Prestaciones declaradas, Performance déclarée, Prestazioni dichiarate, Services declare, Desempenhos declarados:**

Especificaciones técnicas armonizadas, Spécifications techniques armonices, Specifica tecnica armonizzata, Harmonised technical specifications, Especifica técnica harmonizada EN13229:2001/A2:2004/AC:2007	
Características esenciales, Caractéristiques essentielles, Caratteristiche essenziali, Essential features, Características essenciais	Prestaciones, Performance, Prestazione, Services, Desempenho
Reacción al fuego, Réaction au feu, Reazione al fuoco, Reaction to fire, Reação ao fogo	Cumple, Conforme, Conforme, Compliant, Em Conformidade
Distancia mínima de seguridad a materiales combustibles, Distance minimum aux matériaux combustibles, Distanza mínima da materiali combustibili, Minimum distance from combustible material, Distância mínimo de materiais combustíveis	Izquierda, gauche, sinistra, left, esquerda: 250mm Derecha, droite, diritto, right, direito: 250mm Trasera, arrière, retro, back, traseira: 250mm Delantera, avant, fronte, front, frente: 1500mm Encimera, dessus, sopra, above, acima: 800mm
Temperatura humos a potencia térmica nominal, Température des fumées, Temperatura fumi, Fume temperatura, Temperatura dos gases de combustão	280 °C
Emisión, Emission, Emissione, Emissão, Emission, CO 13% O2	0,05 %
Emisión, Emission, Emissione, Emissão, Emission, CO 13% O2	647 mg/Nm <sup>3</sup>
Emisión, Emission, Emissione, Emissão, Emission, NOx 13% O2	104 mg/Nm <sup>3</sup>
Emisión, Emission, Emissione, Emissão, Emission, OGC 13% O2	31 mg/Nm <sup>3</sup>
Emisión, Emission, Emissione, Emissão, Emission, PM 13% O2	11 mg/Nm <sup>3</sup>
Desprendimiento de sustancias peligrosas, Rejet de substances dangereuses, Rilascio di sostanze pericolose, Release of hazardous substances, Lançamento de substâncias perigosas	Cumple, Conforme, Conforme, Compliant, Em Conformidade
Temperatura superficial, Température de surface, Temperatura superficiale, Surface temperatura, Temperatura superficial	Cumple, Conforme, Conforme, Compliant, Em Conformidade
Seguridad eléctrica, Sécurité électrique, Sicurezza elettrica, Electrical safety, Segurança elétrica	Cumple, Conforme, Conforme, Compliant, Em Conformidade
Presión máxima de servicio (paila), Pression maximale de service, Máxima pressione di esercizio, Maximum operating pressure, Máxima pressão de exercício	-
Resistencia mecánica (para soportar una chimenea/un conducto de humos), Résistance mécanique (pour soutenir la cheminée), Resistenza mecánica (per supportare il camino), Mechanical strength (to support the fireplace), Resistência mecânica (para suportar a chaminé)	Cumple, Conforme, Conforme, Compliant, Em Conformidade
Potencia térmica ambiente, Puissance rendue au milieu, Potenza resa all'ambiente, Power output to the environment, Potência libertada no ambiente	11 kW
Potencia térmica agua, Puissance rendue à l'eau, Potenza ceduta all'acqua, Power transferred to water, Potência cedida à água	-
Rendimiento energético, Rendement, Rendimento, Efficiency, Atuação	78 %

Las prestaciones del producto identificado en el punto 1 son conformes con las prestaciones declaradas en el punto 6.

La performance du produit cité au point 1 est conforme à la performance declare au point 6.

La prestazione del prodotto di cui ai punti 1 è conforme alla prestazione dichiarata di cui al punto 6.

The performance of the product referred to in point 1 is consistent with the declared performance in point 6.

As declarações do produto identificado no ponto 1, estão conformes com as prestações declaradas no ponto 6.

La presente declaración de prestaciones se emite bajo la única responsabilidad del fabricante, indicado en el punto 3.

Cette déclaration de performance est délivrée sous la responsabilité exclusive du fabricant cité au point 3.

Si rilascia la presente dichiarazione di prestazione sotto la responsabilità esclusiva del fabricante di cui al punto 3.

This declaration of performance is issued under the manufacturer's sole responsibility referred to in point 3.

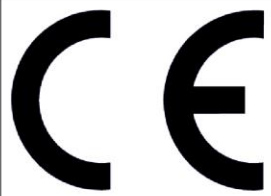
É emitida a presente declaração de desempenho sob a responsabilidade exclusiva do fabricante referido no ponto 3.




José Julián Garcandía Pellejero  
Director Gerente


Alsasua 10-06-2022

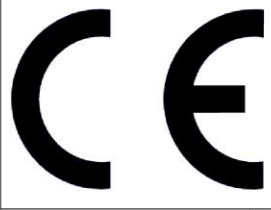
## 9. CE MARK

	LACUNZA KALOR GROUP S.A.L. Pol. Ind. Ibarrea 5A 31800 Alsasua (Navarra) (Spain)
Marca, marque, marca, mark, marca: <b>Lacunza</b> Tipo, type, tipo, type, tipo: <b>Insertable, Appareil insérable, Apparecchio a incasso, Insertable appliance, Aparelho encastrável</b> Modelo, modèle, modello, model, modelo: <b>ADOUR 500</b>	Número, Nombre, Numero, Number, Número: <b>CH-S-032</b> Organismo notificado, Laboratoire notifié, Laboratorio notificato, Laboratory notified, Laboratorio notificado: <b>RRF Nº NB1625</b>
Aparato Tipo, Type d'appareil, Tipo di apparecchio, Apparatus Type, Tipo de aparelho: <b>CM</b> Chimenea de carga manual, para quemar combustibles sólidos (indicado en instrucciones), cuya función es calentar el espacio en el que está instalada. Funcionamiento Intermitente. Para conducto humos no compartido. Appareil insérable qui se charge manuellement, conçu pour brûler des combustibles solides (indiqués dans le Manuel d'Instructions), dont la fonction est de chauffer l'espace où il est installé. Fonctionnement intermittent. Pour conduit non partagé. Apparecchio a incasso a carico manuale, per bruciare combustibili solidi (indicati nelle istruzioni), la cui funzione è riscaldare lo spazio in cui è installato. Funzionamento intermittente. Per condotto non condiviso. Insertable appliance to be loaded by hand and designed to burn solid fuels (indicated in instructions), whose function is to heat the space in which it is installed. Intermittent operation. For non-shared conduit. Aparelho encastrável de carga manual, para queimar combustíveis sólidos (indicado nas instruções), cuja função é aquecer o espaço no qual está instalado. Operação intermitente. Para conduíte não compartilhado.	
<b>EN13229:2001/A2:2004/AC:2007</b>	
Características esenciales, Caractéristiques essentielles, Caratteristiche essenziali, Essential features, Características essenciais Reacción al fuego, Réaction au feu, Reazione al fuoco, Reaction to fire, Reação ao fogo	Prestaciones, Performance, Prestazione, Services, Desempenho <b>Cumple, Conforme, Conforme, Compliant, Em Conformidade</b>
Distancia mínima de seguridad a materiales combustibles, Distance minimum aux matériaux combustibles, Dintanza minima da materiali combustibili, Minimum distance from combustible material, Distância mínimo de materiais combustíveis	Izquierda, gauche, sinistra, left, esquerda: 200mm Derecha, droite, diritto, right, direito: 200mm Trasera, arrière, retro, back, traseira: 200mm Delantera, avant, fronte, front, frente: 1440mm Encimera, dessus, sopra, above, acima: 350mm
Temperatura humos a potencia térmica nominal, Température des fumées, Temperatura fumi, Fume temperatura, Temperatura dos gases de combustão	291 °C
Emisión productos combustión, Emisión des produits de combustion, Emisión prodotti combustione, Combustión productos emissions, Emissões de produtos de combustão	<b>Cumple, Conforme, Conforme, Compliant, Em Conformidade</b>
Emisión, Emission, Emissione, Emissão, Emission, CO 13% O2	0,07 %
Emisión, Emission, Emissione, Emissão, Emission, CO 13% O2	875 mg/Nm <sup>3</sup>
Emisión, Emission, Emissione, Emissão, Emission, NOx 13% O2	111 mg/Nm <sup>3</sup>
Emisión, Emission, Emissione, Emissão, Emission, OGC 13% O2	59 mg/Nm <sup>3</sup>
Emisión, Emission, Emissione, Emissão, Emission, PM 13% O2	27 mg/Nm <sup>3</sup>
Desprendimiento de sustancias peligrosas, Rejet de substances dangereuses, Rilascio di sostanze pericolose, Release of hazardous substances, Lançamento de substâncias perigosas	<b>Cumple, Conforme, Conforme, Compliant, Em Conformidade</b>
Temperatura superficial, Température de surface, Temperatura superficiale, Surface temperatura, Temperatura superficial	<b>Cumple, Conforme, Conforme, Compliant, Em Conformidade</b>
Seguridad eléctrica, Sécurité électrique, Sicurezza elettrica, Electrical safety, Segurança elétrica	<b>Cumple, Conforme, Conforme, Compliant, Em Conformidade</b>
Resistencia mecánica (para soportar una chimenea/un conducto de humos), Resistance mécanique (pour soutenir la cheminée), Resistenza mecánica (per supportare il camino), Mechanical strength (to support the fireplace), Resistência mecânica (para suportar a chaminé)	<b>Cumple, Conforme, Conforme, Compliant, Em Conformidade</b>
Potencia térmica ambiente, Puissance rendue au milieu, Potenza resa all'ambiente, Power output to the environment, Potência libertada no ambiente	5,5 kW
Potencia térmica agua, Puissance rendue à l'eau, Potenza ceduta all'acqua, Power transferred to wáter, Potência cedida à água	-
Rendimiento energético, Rendement, Rendimento, Efficiency, Atuação	77 %




 19	<b>LACUNZA KALOR GROUP S.A.L.</b> Pol. Ind. Ibarrea 5A 31800 Alsasua (Navarra) (Spain)	
Número, Nombre, Numero, Number, Número: <b>CH-S-034</b>		
Marca, marque, marca, mark, marca: <b>Lacunza</b> Tipo, type, tipo, type, tipo: <b>Insertable, Appareil insérable, Apparecchio a incasso, Insertable appliance, Aparelho encastrável</b> Modelo, modèle, modello, model, modelo: <b>ADOUR 600</b>		Organismo notificado, Laboratoire notifié, Laboratorio notificado, Laboratory notified, Laboratorio notificado: <b>RRF Nº NB1625</b>
<b>Aparato Tipo, Type d'appareil, Tipo di apparecchio, Apparatus Type, Tipo de aparelho: CM</b>		
<p>Chimenea de carga manual, para quemar combustibles sólidos (indicado en instrucciones), cuya función es calentar el espacio en el que está instalada. Funcionamiento Intermitente. Para conducto humos no compartido.</p> <p>Appareil insérable qui se charge manuellement, conçu pour brûler des combustibles solides (indiqués dans le Manuel d'Instructions), dont la fonction est de chauffer l'espace où il est installé. Fonctionnement intermittent. Pour conduit non partagé.</p> <p>Apparecchio a incasso a carico manuale, per bruciare combustibili solidi (indicati nelle istruzioni), la cui funzione è riscaldare lo spazio in cui è installato. Funzionamento intermittente. Per condotto non condiviso.</p> <p>Insertable appliance to be loaded by hand and designed to burn solid fuels (indicated in instructions), whose function is to heat the space in which it is installed. Intermittent operation. For non-shared conduit.</p> <p>Aparelho encastrável de carga manual, para queimar combustíveis sólidos (indicado nas instruções), cuja função é aquecer o espaço no qual está instalado. Operação intermitente. Para conduíte não compartilhado.</p>		
<b>EN13229:2001/A2:2004/AC:2007</b>		
<b>Características esenciales, Caractéristiques essentielles, Caratteristiche essenziali, Essential features, Características essenciais</b>		<b>Prestaciones, Performance, Prestazione, Services, Desempenho</b>
Reacción al fuego, Réaction au feu, Reazione al fuoco, Reaction to fire, Reação ao fogo		<b>Cumple, Conforme, Conforme, Compliant, Em Conformidade</b>
Distancia mínima de seguridad a materiales combustibles, Distance minimum aux matériaux combustibles, Distanza minima da materiali combustibili, Minimum distance from combustible material, Distância mínimo de materiais combustíveis	<b>Izquierda, gauche, sinistra, left, esquerda: 250mm</b> <b>Derecha, droite, diritto, right, direito: 250mm</b> <b>Trasera, arrière, retro, back, traseira: 250mm</b> <b>Delantera, avant, fronte, front, frente: 1500mm</b> <b>Encimera, dessus, sopra, above, acima: 350mm</b>	
Temperatura humos a potencia térmica nominal, Température des fumées, Temperatura fumi, Fume temperatura, Temperatura dos gases de combustão		<b>288 °C</b>
Emisión productos combustión, Emisión des produits de combustion, Emisión prodotti combustione, Combustión productos emissions, Emissões de produtos de combustão		<b>Cumple, Conforme, Conforme, Compliant, Em Conformidade</b>
Emisión, Emission, Emissione, Emissão, Emission, CO 13% O2		<b>0,09 %</b>
Emisión, Emission, Emissione, Emissão, Emission, CO 13% O2		<b>1125 mg/Nm<sup>3</sup></b>
Emisión, Emission, Emissione, Emissão, Emission, NOx 13% O2		<b>115 mg/Nm<sup>3</sup></b>
Emisión, Emission, Emissione, Emissão, Emission, OGC 13% O2		<b>69 mg/Nm<sup>3</sup></b>
Emisión, Emission, Emissione, Emissão, Emission, PM 13% O2		<b>29 mg/Nm<sup>3</sup></b>
Desprendimiento de sustancias peligrosas, Rejet de substances dangereuses, Rilascio di sostanze pericolose, Release of hazardous substances, Lançamento de substâncias perigosas		<b>Cumple, Conforme, Conforme, Compliant, Em Conformidade</b>
Temperatura superficial, Température de surface, Temperatura superficiale, Surface temperatura, Temperatura superficial		<b>Cumple, Conforme, Conforme, Compliant, Em Conformidade</b>
Seguridad eléctrica, Sécurité électrique, Sicurezza elettrica, Electrical safety, Segurança elétrica		<b>Cumple, Conforme, Conforme, Compliant, Em Conformidade</b>
Resistencia mecánica (para soportar una chimenea/un conducto de humos), Resistence mécanique (pour soutenir la cheminée), Resistenza mecánica (per supportare il camino), Mechanical strength (to support the fireplace), Resistência mecânica (para suportar a chaminé)		<b>Cumple, Conforme, Conforme, Compliant, Em Conformidade</b>
Potencia térmica ambiente, Puissance rendue au milieu, Potenza resa all'ambiente, Power output to the environment, Potência libertada no ambiente		<b>7 kW</b>
Potencia térmica agua, Puissance rendue à l'eau, Potenza ceduta all'acqua, Power transferred to wáter, Potência cedida à água		<b>-</b>
Rendimiento energético, Rendement, Rendimento, Efficiency, Atuação		<b>77 %</b>

 19	<b>LACUNZA KALOR GROUP S.A.L.</b> <b>Pol. Ind. Ibarrea 5A 31800</b> <b>Alsasua (Navarra) (Spain)</b>
Marca, marque, marca, mark, marca: <b>Lacunza</b> Tipo, type, tipo, type, tipo: <b>Insertable, Appareil insérable, Apparecchio a incasso, Insertable appliance, Aparelho encastrável</b> Modelo, modèle, modello, model, modelo: <b>ADOUR 700</b>	Organismo notificado, Laboratoire notifié, Laboratorio notificado, Laboratory notified, Laboratorio notificado: <b>SZU Nº 1015</b>
<b>Aparato Tipo, Type d'appareil, Tipo di apparecchio, Apparatus Type, Tipo de aparelho: CM</b>	
<p>Chimenea de carga manual, para quemar combustibles sólidos (indicado en instrucciones), cuya función es calentar el espacio en el que está instalada. Funcionamiento Intermitente. Para conducto humos no compartido.</p> <p>Appareil insérable qui se charge manuellement, conçu pour brûler des combustibles solides (indiqués dans le Manuel d'Instructions), dont la fonction est de chauffer l'espace où il est installé. Fonctionnement intermittent. Pour conduit non partagé.</p> <p>Apparecchio a incasso a carico manuale, per bruciare combustibili solidi (indicati nelle istruzioni), la cui funzione è riscaldare lo spazio in cui è installato. Funzionamento intermittente. Per condotto non condiviso.</p> <p>Insertable appliance to be loaded by hand and designed to burn solid fuels (indicated in instructions), whose function is to heat the space in which it is installed. Intermittent operation. For non-shared conduit.</p> <p>Aparelho encastrável de carga manual, para queimar combustíveis sólidos (indicado nas instruções), cuja função é aquecer o espaço no qual está instalado. Operação intermitente. Para conduíte não compartilhado.</p>	
<b>EN13229:2001/A2:2004/AC:2007</b>	
<b>Características esenciales, Caractéristiques essentielles, Caratteristiche essenziali, Essential features, Características essenciais</b>	<b>Prestaciones, Performance, Prestazione, Services, Desempenho</b>
Reacción al fuego, Réaction au feu, Reazione al fuoco, Reaction to fire, Reação ao fogo	<b>Cumple, Conforme, Conforme, Compliant, Em Conformidade</b>
Distancia mínima de seguridad a materiales combustibles, Distance minimum aux matériaux combustibles, Dintanza mínima da materiais combustíveis, Minimum distance from combustible material, Distância mínimo de materiais combustíveis	<b>Izquierda, gauche, sinistra, left, esquerda: 250mm</b> <b>Derecha, droite, diritto, right, direito: 250mm</b> <b>Trasera, arrière, retro, back, traseira: 250mm</b> <b>Delantera, avant, fronte, front, frente: 1500mm</b> <b>Encimera, dessus, sopra, above, acima: 350mm</b>
Temperatura humos a potencia térmica nominal, Température des fumées, Temperatura fumi, Fume temperatura, Temperatura dos gases de combustão	<b>231 °C</b>
Emisión productos combustión, Emisión des produits de combustion, Emisión prodotti combustione, Combustión productos emissions, Emissões de produtos de combustão	<b>Cumple, Conforme, Conforme, Compliant, Em Conformidade</b>
Emisión, Emission, Emissione, Emissão, Emission, CO 13% O2	<b>0,09 %</b>
Emisión, Emission, Emissione, Emissão, Emission, CO 13% O2	<b>1130 mg/Nm<sup>3</sup></b>
Emisión, Emission, Emissione, Emissão, Emission, NOx 13% O2	<b>79 mg/Nm<sup>3</sup></b>
Emisión, Emission, Emissione, Emissão, Emission, OGC 13% O2	<b>70 mg/Nm<sup>3</sup></b>
Emisión, Emission, Emissione, Emissão, Emission, PM 13% O2	<b>27 mg/Nm<sup>3</sup></b>
Desprendimiento de sustancias peligrosas, Rejet de substances dangereuses, Rilascio di sostanze pericolose, Release of hazardous substances, Lançamento de substâncias perigosas	<b>Cumple, Conforme, Conforme, Compliant, Em Conformidade</b>
Temperatura superficial, Température de surface, Temperatura superficiale, Surface temperatura, Temperatura superficial	<b>Cumple, Conforme, Conforme, Compliant, Em Conformidade</b>
Seguridad eléctrica, Sécurité électrique, Sicurezza elettrica, Electrical safety, Segurança elétrica	<b>Cumple, Conforme, Conforme, Compliant, Em Conformidade</b>
Resistencia mecánica (para soportar una chimenea/un conducto de humos), Résistance mécanique (pour soutenir la cheminée), Resistenza mecánica (per supportare il camino), Mechanical strength (to support the fireplace), Resistência mecânica (para suportar a chaminé)	<b>Cumple, Conforme, Conforme, Compliant, Em Conformidade</b>
Potencia térmica ambiente, Puissance rendue au milieu, Potenza resa all'ambiente, Power output to the environment, Potência libertada no ambiente	<b>7 kW</b>
Potencia térmica agua, Puissance rendue à l'eau, Potenza ceduta all'acqua, Power transferred to wáter, Potência cedida à água	<b>-</b>
Rendimiento energético, Rendement, Rendimento, Efficiency, Atuação	<b>82 %</b>

	LACUNZA KALOR GROUP S.A.L. Pol. Ind. Ibarrea 5A 31800 Alsasua (Navarra) (Spain)
19	Número, Nombre, Numero, Number, Número: <b>CH-S-038</b>
Marca, marque, marca, mark, marca: <b>Lacunza</b> Tipo, type, tipo, type, tipo: <b>Insertable, Appareil insérable, Apparecchio a incasso, Insertable appliance, Aparelho encastrável</b> Modelo, modèle, modello, model, modelo: <b>ADOUR 800</b>	Organismo notificado, Laboratoire notifié, Laboratorio notificado, Laboratory notified, Laboratorio notificado: <b>RRF Nº NB1625</b>
Aparato Tipo, Type d'appareil, Tipo di apparecchio, Apparatus Type, Tipo de aparelho: <b>CM</b>	
<p>Chimenea de carga manual, para quemar combustibles sólidos (indicado en instrucciones), cuya función es calentar el espacio en el que está instalada. Funcionamiento Intermitente. Para conducto humos no compartido.</p> <p>Appareil insérable qui se charge manuellement, conçu pour brûler des combustibles solides (indiqués dans le Manuel d'Instructions), dont la fonction est de chauffer l'espace où il est installé. Fonctionnement intermittent. Pour conduit non partagé.</p> <p>Apparecchio a incasso a carico manuale, per bruciare combustibili solidi (indicati nelle istruzioni), la cui funzione è riscaldare lo spazio in cui è installato. Funzionamento intermittente. Per condotto non condiviso.</p> <p>Insertable appliance to be loaded by hand and designed to burn solid fuels (indicated in instructions), whose function is to heat the space in which it is installed. Intermittent operation. For non-shared conduit.</p> <p>Aparelho encastrável de carga manual, para queimar combustíveis sólidos (indicado nas instruções), cuja função é aquecer o espaço no qual está instalado. Operação intermitente. Para conduíte não compartilhado.</p>	
<p align="center"><b>EN13229:2001/A2:2004/AC:2007</b></p>	
Características esenciales, Caractéristiques essentielles, Caratteristiche essenziali, Essential features, Características essenciais	Prestaciones, Performance, Prestazione, Services, Desempenho
Reacción al fuego, Réaction au feu, Reazione al fuoco, Reaction to fire, Reação ao fogo	Cumple, Conforme, Conforme, Compliant, Em Conformidade
Distancia mínima de seguridad a materiales combustibles, Distance minimum aux matériaux combustibles, Dintanza mínima da material combustibili, Minimum distance from combustible material, Distância mínimo de materiais combustíveis	Izquierda, gauche, sinistra, left, esquerda: 250mm Derecha, droite, diritto, right, direito: 250mm Trasera, arrière, retro, back, traseira: 250mm Delantera, avant, fronte, front, frente: 1500mm Encimera, dessus, sopra, above, acima: 350mm
Temperatura humos a potencia térmica nominal, Température des fumées, Temperatura fumi, Fume temperatura, Temperatura dos gases de combustão	316 °C
Emisión productos combustión, Emisión des produits de combustion, Emisión prodotti combustione, Combustión productos emissions, Emissões de produtos de combustão	Cumple, Conforme, Conforme, Compliant, Em Conformidade
Emisión, Emission, Emissione, Emissão, Emission, CO 13% O2	0,06 %
Emisión, Emission, Emissione, Emissão, Emission, CO 13% O2	750 mg/Nm <sup>3</sup>
Emisión, Emission, Emissione, Emissão, Emission, NOx 13% O2	123 mg/Nm <sup>3</sup>
Emisión, Emission, Emissione, Emissão, Emission, OGC 13% O2	64 mg/Nm <sup>3</sup>
Emisión, Emission, Emissione, Emissão, Emission, PM 13% O2	30 mg/Nm <sup>3</sup>
Desprendimiento de sustancias peligrosas, Rejet de substances dangereuses, Rilascio di sostanze pericolose, Release of hazardous substances, Lançamento de substâncias perigosas	Cumple, Conforme, Conforme, Compliant, Em Conformidade
Temperatura superficial, Température de surface, Temperatura superficiale, Surface temperatura, Temperatura superficial	Cumple, Conforme, Conforme, Compliant, Em Conformidade
Seguridad eléctrica, Sécurité électrique, Sicurezza elettrica, Electrical safety, Segurança elétrica	Cumple, Conforme, Conforme, Compliant, Em Conformidade
Resistencia mecánica (para soportar una chimenea/un conducto de humos), Resistance mécanique (pour soutenir la cheminée), Resistenza mecánica (per supportare il camino), Mechanical strength (to support the fireplace), Resistência mecânica (para suportar a chaminé)	Cumple, Conforme, Conforme, Compliant, Em Conformidade
Potencia térmica ambiente, Puissance rendue au milieu, Potenza resa all'ambiente, Power output to the environment, Potência libertada no ambiente	10 kW
Potencia térmica agua, Puissance rendue à l'eau, Potenza ceduta all'acqua, Power transferred to wáter, Potência cedida à água	-
Rendimiento energético, Rendement, Rendimento, Efficiency, Atuação	79 %



	LACUNZA KALOR GROUP S.A.L. Pol. Ind. Ibarrea 5A 31800 Alsasua (Navarra) (Spain)
22	Número, Nombre, Numero, Number, Número: <b>CH-S-051</b>
Marca, marque, marca, mark, marca: <b>Lacunza</b> Tipo, type, tipo, type, tipo: <b>Insertable, Appareil insérable, Apparecchio a incasso, Insertable appliance, Aparelho encastrável</b> Modelo, modèle, modello, model, modelo: <b>ADOUR 1000</b>	Organismo notificado, Laboratoire notifié, Laboratorio notificato, Laboratory notified, Laboratorio notificado: <b>SZU Nº 1015</b>
Aparato Tipo, Type d'appareil, Tipo di apparecchio, Apparatus Type, Tipo de aparelho: <b>CM</b>	
<p>Chimenea de carga manual, para quemar combustibles sólidos (indicado en instrucciones), cuya función es calentar el espacio en el que está instalada. Funcionamiento Intermitente. Para conducto humos no compartido.</p> <p>Appareil insérable qui se charge manuellement, conçu pour brûler des combustibles solides (indiqués dans le Manuel d'Instructions), dont la fonction est de chauffer l'espace où il est installé. Fonctionnement intermittent. Pour conduit non partagé.</p> <p>Apparecchio a incasso a carico manuale, per bruciare combustibili solidi (indicati nelle istruzioni), la cui funzione è riscaldare lo spazio in cui è installato. Funzionamento intermittente. Per condotto non condiviso.</p> <p>Insertable appliance to be loaded by hand and designed to burn solid fuels (indicated in instructions), whose function is to heat the space in which it is installed. Intermittent operation. For non-shared conduit.</p> <p>Aparelho encastrável de carga manual, para queimar combustíveis sólidos (indicado nas instruções), cuja função é aquecer o espaço no qual está instalado. Operação intermitente. Para conduíte não compartilhado.</p>	
<p align="center"><b>EN13229:2001/A2:2004/AC:2007</b></p>	
<b>Características esenciales, Caractéristiques essentielles, Caratteristiche essenziali, Essential features, Características essenciais</b>	<b>Prestaciones, Performance, Prestazione, Services, Desempenho</b>
Reacción al fuego, Réaction au feu, Reazione al fuoco, Reaction to fire, Reação ao fogo	<b>Cumple, Conforme, Conforme, Compliant, Em Conformidade</b>
Distancia mínima de seguridad a materiales combustibles, Distance minimum aux matériaux combustibles, Distanza minima da materiali combustibili, Minimum distance from combustible material, Distância mínimo de materiais combustíveis	<b>Izquierda, gauche, sinistra, left, esquerda: 250mm                  Derecha, droite, diritto, right, direito: 250mm                  Trasera, arrière, retro, back, traseira: 250mm                  Delantera, avant, fronte, front, frente: 1500mm                  Encimera, dessus, sopra, above, acima: 800mm</b>
Temperatura humos a potencia térmica nominal, Température des fumées, Temperatura fumi, Fume temperatura, Temperatura dos gases de combustão	<b>280 °C</b>
Emisión productos combustión, Emisión des produits de combustion, Emisión prodotti combustione, Combustión productos emissions, Emissões de produtos de combustão	<b>Cumple, Conforme, Conforme, Compliant, Em Conformidade</b>
Emisión, Emission, Emissione, Emissão, Emission, CO 13% O2	<b>0,05 %</b>
Emisión, Emission, Emissione, Emissão, Emission, CO 13% O2	<b>647 mg/Nm<sup>3</sup></b>
Emisión, Emission, Emissione, Emissão, Emission, NOx 13% O2	<b>104 mg/Nm<sup>3</sup></b>
Emisión, Emission, Emissione, Emissão, Emission, OGC 13% O2	<b>31 mg/Nm<sup>3</sup></b>
Emisión, Emission, Emissione, Emissão, Emission, PM 13% O2	<b>11 mg/Nm<sup>3</sup></b>
Desprendimiento de sustancias peligrosas, Rejet de substances dangereuses, Rilascio di sostanze pericolose, Release of hazardous substances, Lançamento de substâncias perigosas	<b>Cumple, Conforme, Conforme, Compliant, Em Conformidade</b>
Temperatura superficial, Température de surface, Temperatura superficiale, Surface temperatura, Temperatura superficial	<b>Cumple, Conforme, Conforme, Compliant, Em Conformidade</b>
Seguridad eléctrica, Sécurité électrique, Sicurezza elettrica, Electrical safety, Segurança elétrica	<b>Cumple, Conforme, Conforme, Compliant, Em Conformidade</b>
Resistencia mecánica (para soportar una chimenea/un conducto de humos), Resistance mécanique (pour soutenir la cheminée), Resistenza mecánica (per supportare il camino), Mechanical strength (to support the fireplace), Resistência mecânica (para suportar a chaminé)	<b>Cumple, Conforme, Conforme, Compliant, Em Conformidade</b>
Potencia térmica ambiente, Puissance rendue au milieu, Potenza resa all'ambiente, Power output to the environment, Potência libertada no ambiente	<b>11 kW</b>
Potencia térmica agua, Puissance rendue à l'eau, Potenza ceduta all'acqua, Power transferred to wáter, Potência cedida à água	<b>-</b>
Rendimiento energético, Rendement, Rendimento, Efficiency, Atuação	<b>78 %</b>

LACUNZA KALOR GROUP S.A.L

Pol. Ind. Ibarrea 5A

31800 Alsasua (Navarra) Spain

Tel.: (00 34) 948 56 35 11

Fax.: (00 34) 948 56 35 05

e-mail: [comercial@lacunza.net](mailto:comercial@lacunza.net)

Website: [www.lacunza.net](http://www.lacunza.net)

EDITION: 11

