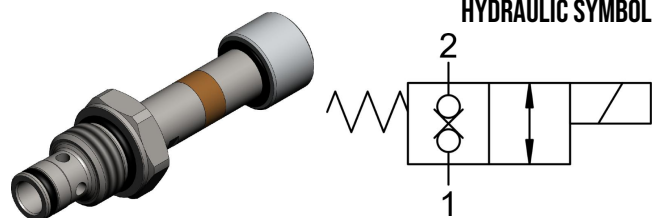


# SVD5.S08 VALVE SERIES

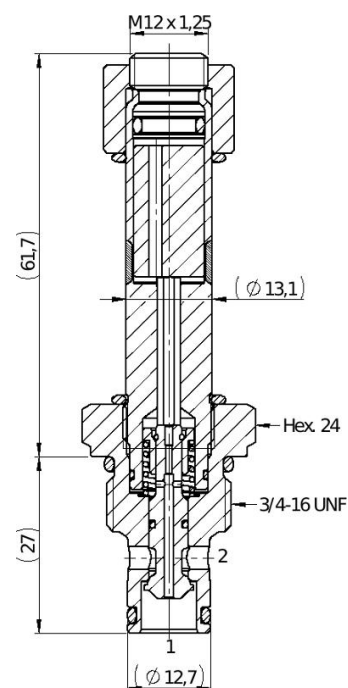
SAE Cartridge - 250 bar  
NC Double Lock Direct Acting  
Poppet type



## DESCRIPTION

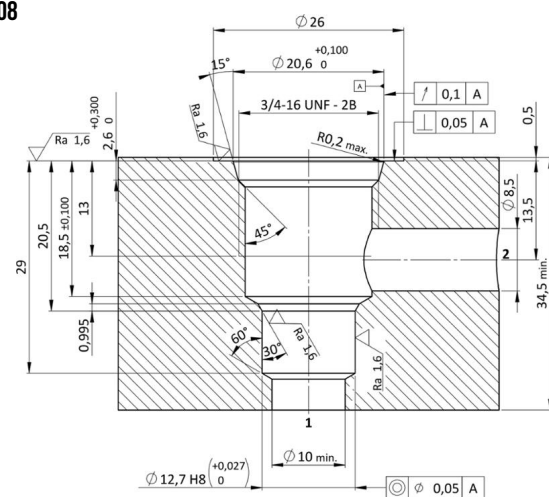
A solenoid valve operated, 2-way 2-positions, normally closed, direct acting poppet type, bi-directional blocking, screwin cartridge valve. Special design for low leakage in load holding applications. When the coil is de-energized, the SVD5.S08 blocks flow in both directions. Once the coil is energized, the valve's poppet opens and allows free flow from 1 to 2 and from 2 to 1. The rigid design using a 1-piece body contributes to minimize the effect of eccentricities in cavity and provides great reliability. Low pressure drop thanks to optimized flow path.

## CROSS SECTION



## CAVITY

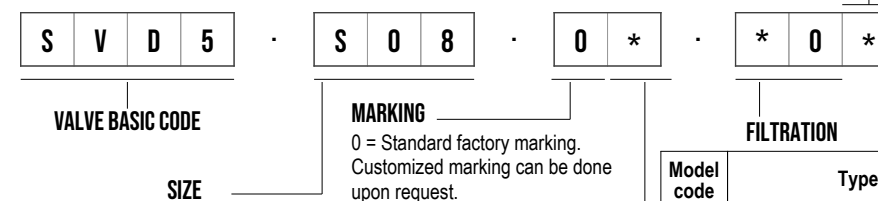
SAE08



## TECHNICAL DATA

MAXIMUM OPERATING PRESSURE	250 bar
MAXIMUM FLOW	30 l/min
MAXIMUM INTERNAL LEAKAGE	0,25 cm <sup>3</sup> / min @ 250 bar
EXTERNAL COMPONENT TREATMENT	Zn/Fe - standard (96h) Zn/Ni (720h) (Upon customer request)
SWITCH ON TIME	20 ms
SWITCH OFF TIME	40 ms
O-RING TEMPERATURE RANGE	-30° C to 110° C (standard sealing NBR - BUNA - N) -35° C to 140° C (HNBR - Upon customer request) -23° C to 225° C (FKM - Upon customer request)
OIL TEMPERATURE RANGE	-30° C to 110° C
FLUIDS	Mineral - based or synthetics with lubricating properties
VISCOSITIES	7,4 to 420 cSt
MINIMUM PULL-IN VOLTAGE	85% of nominal
FILTRATION	20/18/15 ISO 4406 (maximum filtration admitted)
ORIENTATION	No restrictions
INSTALLATION TORQUE	40-45 Nm  Hex.24
TECH. SPEC. FOR CHARACTERIZATION	see page 696
OIL TESTING CONDITIONS	ISO VG 46 cSt
SEAL KIT CODE	SK.003 and SK.027 (coil) (standard sealing NBR-BUNA-N)
COIL	22 W (for more details see page 599 - 609) 20,5 W (Upon customer request - for more details see page 599 - 609)
WEIGHT	0,120 kg

## ORDERING CODE



**NOTE**  
Customized nut can be selected

Code	Other available options
S08	3/4-16 UNF with Ø12,7 nose size
S09	3/4-16 UNF with Ø15,86 nose size
M20	METRIC M20x1,5 with Ø15 nose size

Model code	Type of filter
F	Standard filter (mesh size 280 µm)
N	No filter

**NOTE**  
Customized filters can be done upon request.

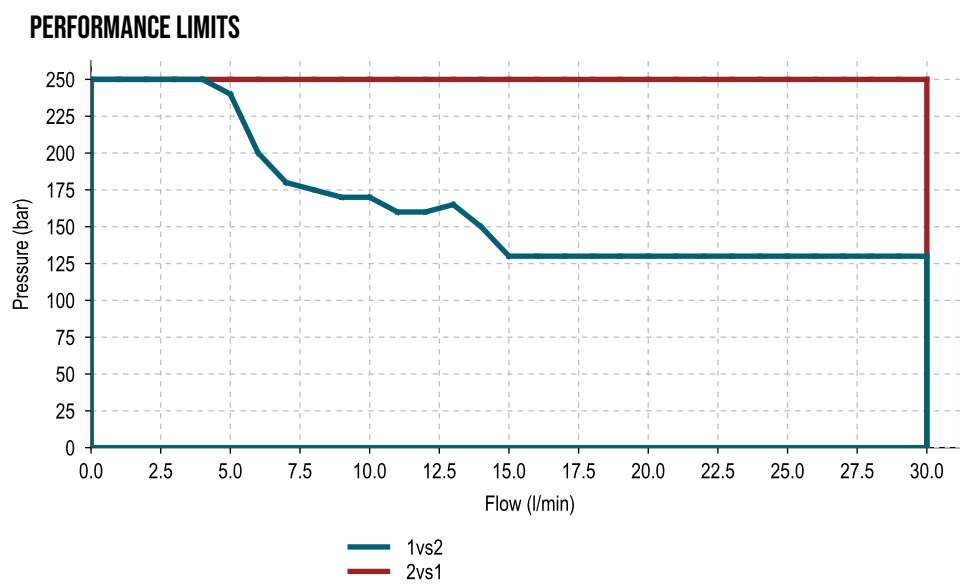
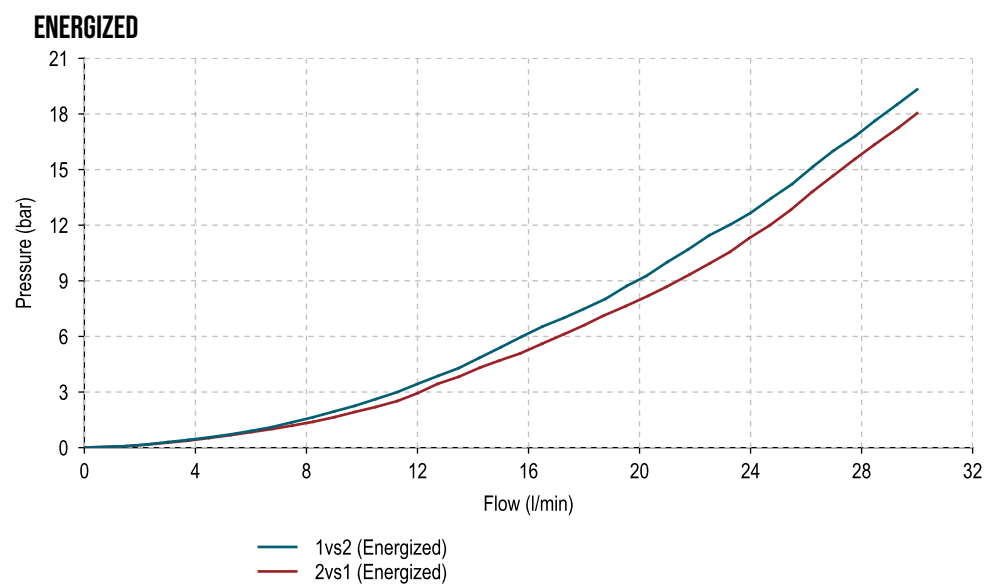
## MANUAL OVERRIDE

Model code	Type of override
0	No override
2	Push and Twist
3	Push pin
4	Push knob
8	Screw
C	Special Screw

Specifications may change without notice.

## SVD5.S08 GRAPHS

The performance chart illustrates flow handling capacity in both directions (1 to 2 and 2 to 1 energized). p/Q curves are recorded at TOil = 40°C and 46 cSt.



### NOTE

The performance chart illustrates flow handling capacity in both directions (1 to 2 and 2 to 1 energized). p/Q curves are recorded at TOil = 40°C and 46 cSt.