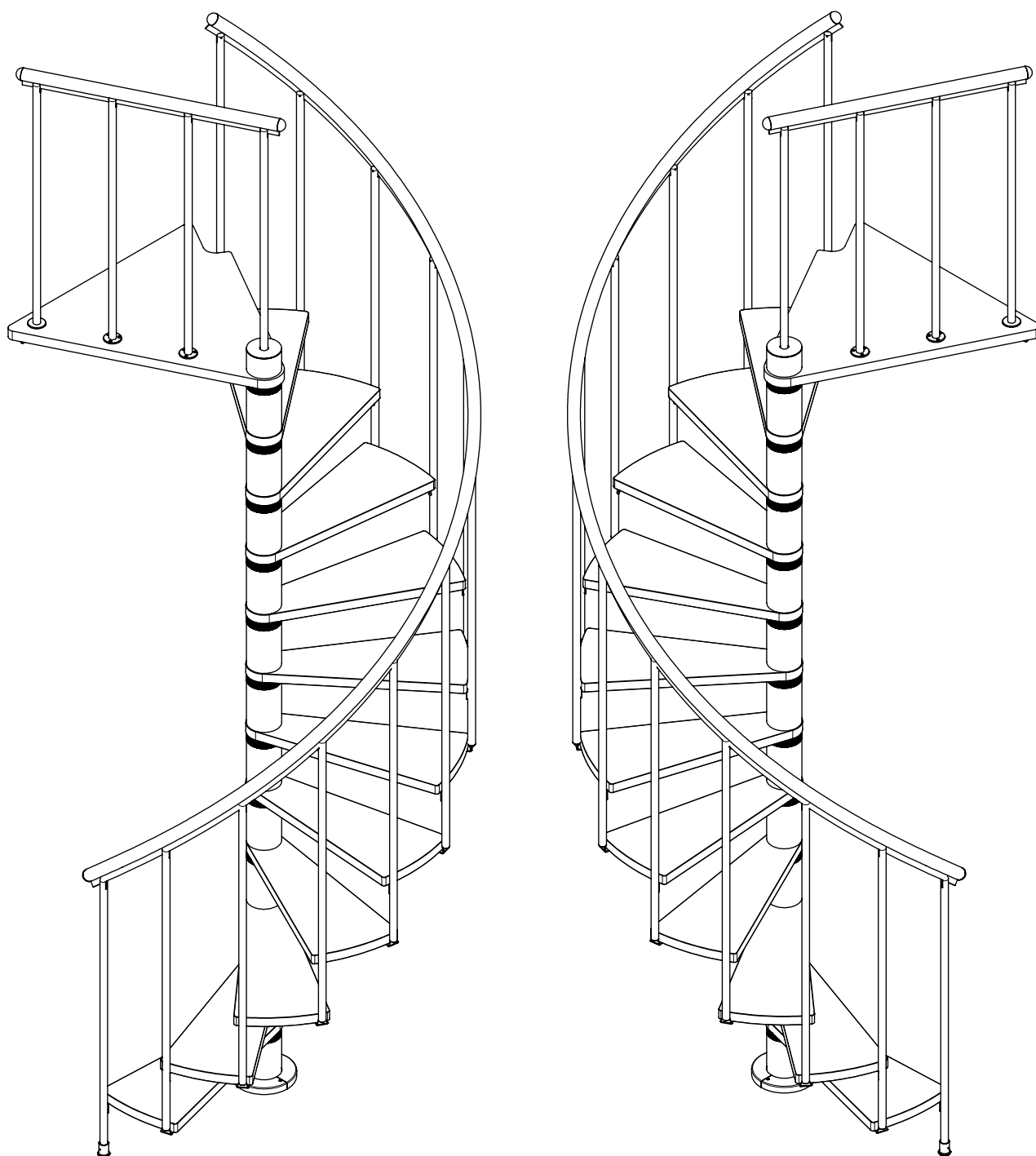
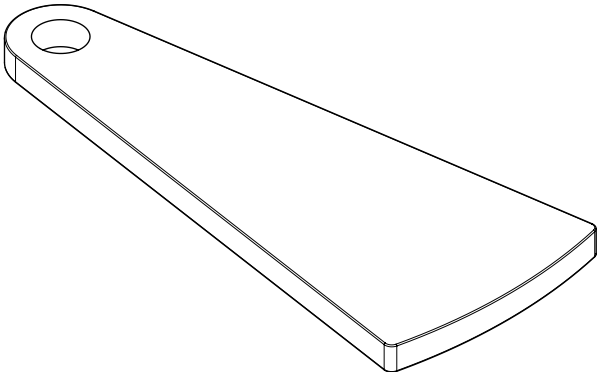

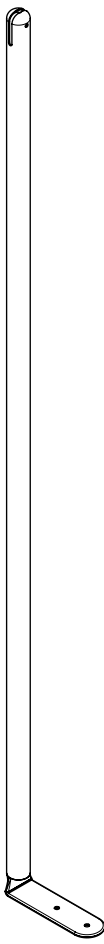

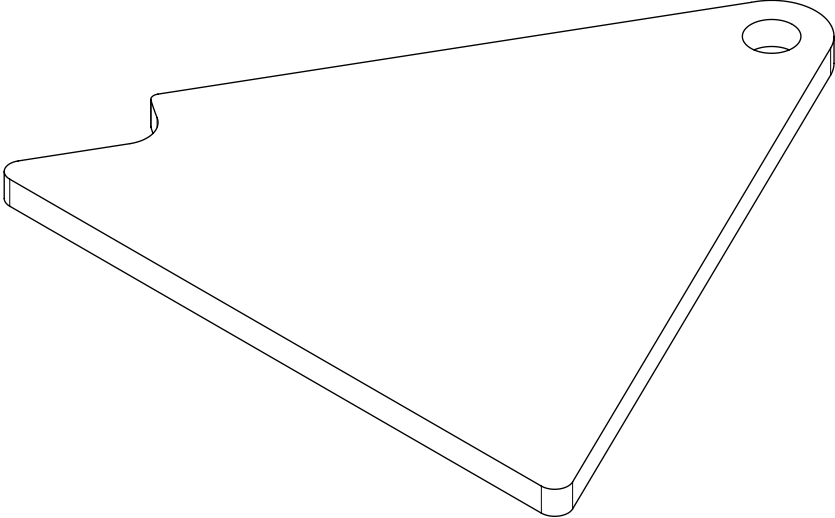


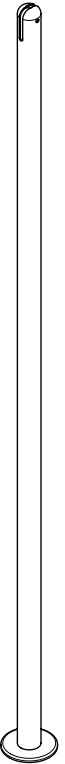


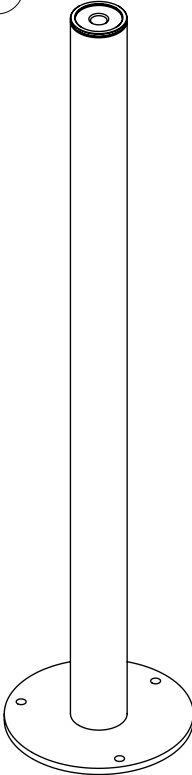
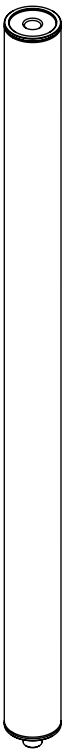

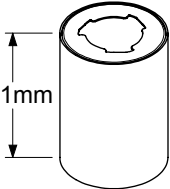
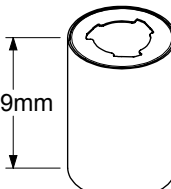
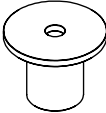
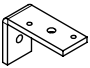
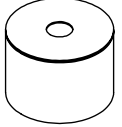
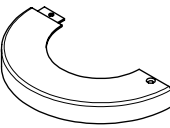


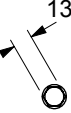
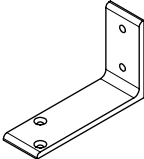
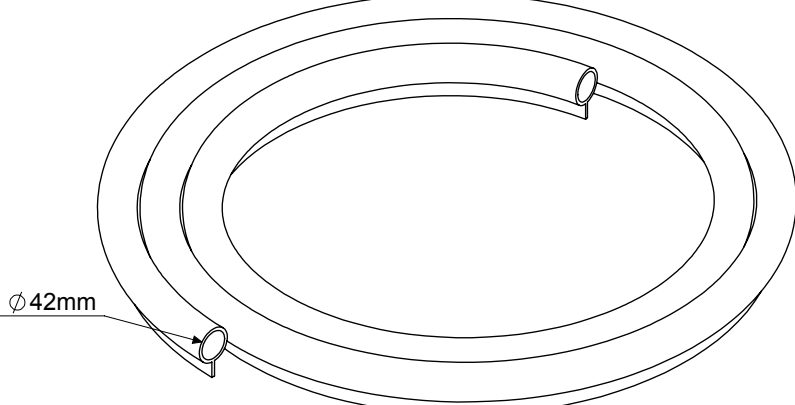
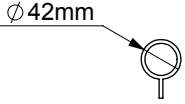
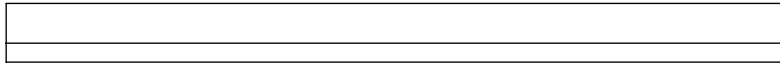







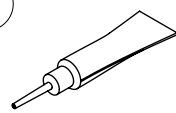

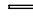




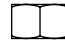

















CALGARY

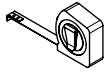
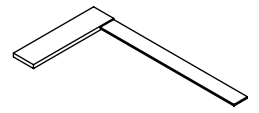
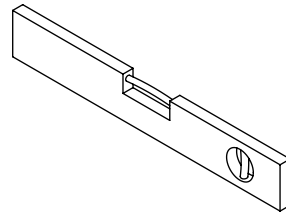
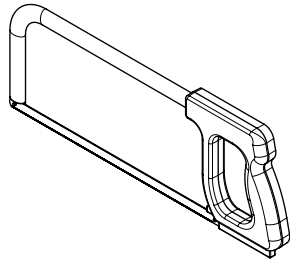
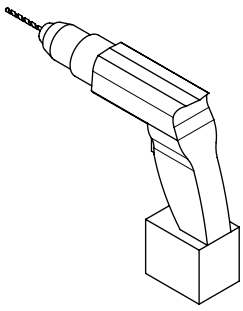


You Tube
Dolle Group

<p>1</p>  <p>× 11</p>	<p>3</p>  <p>× 12 K1-71231 RAL 9006 K1-71431 RAL 7016 K1-71631 RAL 9016</p>	<p>5</p> 	<p>6</p>  <p>× 1 K1-71220 RAL 9006 K1-71420 RAL 7016 K1-71620 RAL 9016</p>		
<p>2</p>  <p>× 1</p>		<p>7</p>  <p>× 11 K1-71230 RAL 9006 K1-71430 RAL 7016 K1-71630 RAL 9016</p> <p>× 1 K1-32224 RAL 9006 K1-71421 RAL 7016 K1-32424 RAL 9016</p>			
<p>8</p>  <p>× 1 K2-71260 RAL 9006 K2-71460 RAL 7016 K2-71660 RAL 9016</p>	<p>9</p>  <p>× 2 K2-71250 RAL 9006 K2-71450 RAL 7016 K2-71650 RAL 9016</p>	<p>10</p>  <p>× 1 K2-71240 RAL 9006 K2-71440 RAL 7016 K2-71640 RAL 9016</p>	<p>11</p>  <p>× 1 K2-71010</p>	<p>12</p>  <p>× 1 K2-71012</p>	<p>13</p>  <p>× 1 K1-71000</p>

<p>14</p> 	<p>15</p>  <p>161mm</p>	<p>16</p>  <p>169mm</p>	<p>17</p> 	<p>18</p> 	<p>19</p> 
	<p>20</p> 	<p>21</p> 	<p>22</p> 	<p>23</p>  <p>13mm</p>	<p>24</p> 
<p>14</p> <p>× 1 K3-07023</p>	<p>15</p> <p>× 1 K2-71210 RAL 9006 K2-71410 RAL 7016 K2-71610 RAL 9016</p> <p>16</p> <p>× 11 K2-71211 RAL 9006 K2-71411 RAL 7016 K2-71611 RAL 9016</p> <p>17</p> <p>× 1 K2-71005</p> <p>18</p> <p>× 3 K1-71201 RAL 9006 K1-71401 RAL 7016 K1-71601 RAL 9016</p> <p>19</p> <p>× 1 K2-71215 RAL 9006 K2-71415 RAL 7016 K2-71615 RAL 9016</p>	<p>20</p> <p>× 2 K2-71200 RAL 9006 K2-71400 RAL 7016 K2-71600 RAL 9016</p> <p>21</p> <p>× 4 K1-71290 RAL 9006 K1-39010 RAL 7016 K1-29486 RAL 9016</p> <p>22</p> <p>× 2 K1-39000</p> <p>23</p> <p>× 6 K1-01013 RAL 9006 K1-01023 RAL 7016 K1-01003 RAL 9016</p> <p>24</p> <p>× 1 K1-19310 RAL 9006 K1-71402 RAL 7016 K1-71602 RAL 9016</p>	<p>25</p>  <p>× 1 K1-71292 4,2 m - RAL 9006 K1-39117 4,2 m - RAL 7016 K1-71692 4,2 m - RAL 9016</p>		
<p>26</p> <p>× 1 K1-71291 1,0 m - RAL 9006 K1-39110 1,0 m - RAL 7016 K1-29410 1,0 m - RAL 9016</p>	<p>26</p>  <p>× 1 K1-71291 1,0 m - RAL 9006 K1-39110 1,0 m - RAL 7016 K1-29410 1,0 m - RAL 9016</p> 				
<p>27</p>  <p>× 72 K1-71205 RAL 9006 K1-71405 RAL 7016 K1-71605 RAL 9016</p>					

<p>50</p>  <p>× 63 K3-06022 Ø5 x 35</p> 	<p>51</p>  <p>× 24 K3-06199 M5 x 20</p> 	<p>52</p>  <p>× 1 K3-90001</p>	<p>53</p>  <p>× 9 K3-04028 Ø8,4</p> 	<p>54</p>  <p>× 8 K3-08004 Ø10 x 60</p>	<p>55</p>  <p>× 8 K3-10175 M8 x 70</p> 
<p>56</p>  <p>× 1 K3-03024 M20 x 18</p> 	<p>57</p>  <p>× 1 K3-04020 Ø20</p> 	<p>58</p>  <p>× 1 K3-08002 Ø8 x 40</p>	<p>59</p>  <p>× 2 K3-02131 M4 x 10</p> 	<p>60</p>  <p>× 1 K3-05013 M6 x 6</p> 	<p>61</p>  <p>× 16 K3-05011 M5 x 20</p> 
<p>62</p>  <p>× 1 K3-02081 M8 x 70</p> 	<p>63</p>  <p>× 1 K3-03014 M20 x 10</p> 	<p>69</p>  <p>× 1 R1-63272 Ø6 x 25</p> 	<p>71</p>  <p>× 1 K3-06016 Ø6 x 40</p> 		



Torx 25



2,5

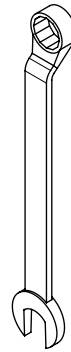


3



4

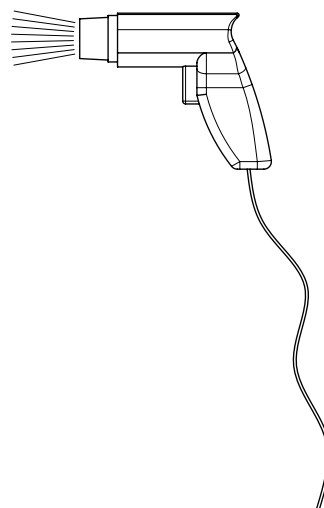
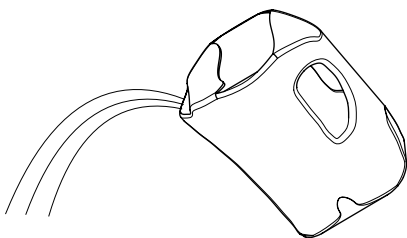
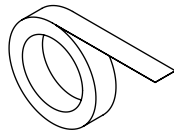
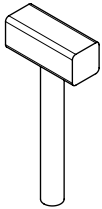
x 2

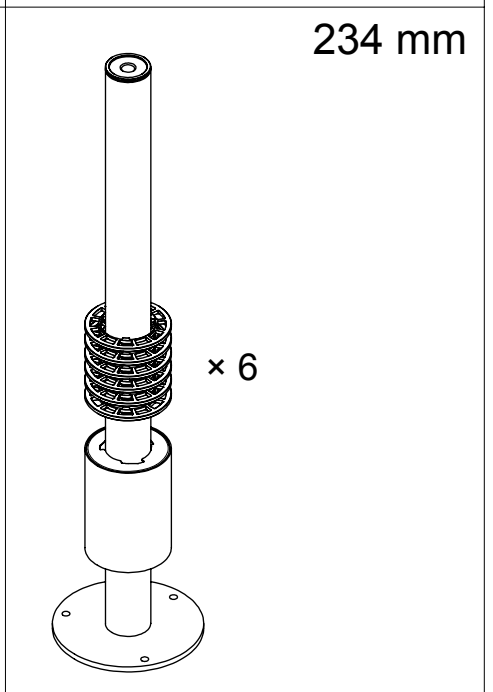
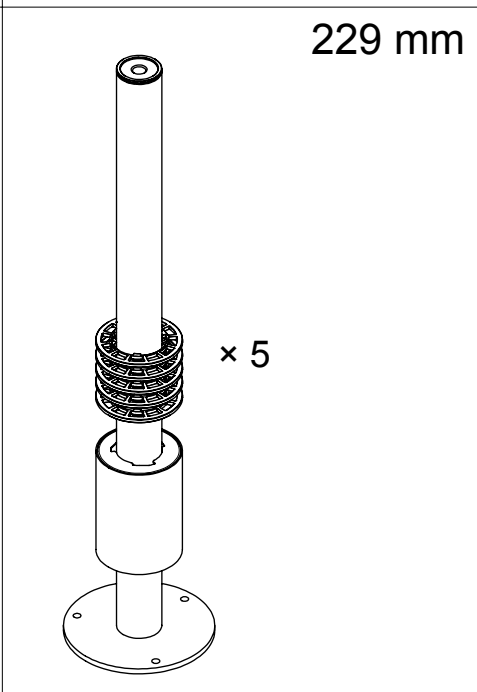
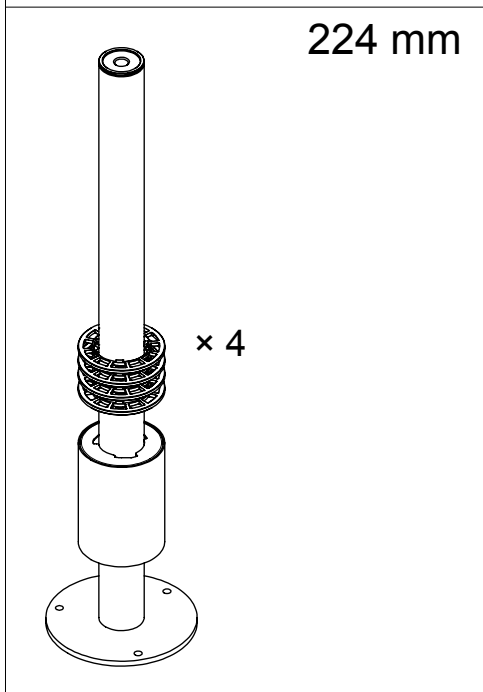
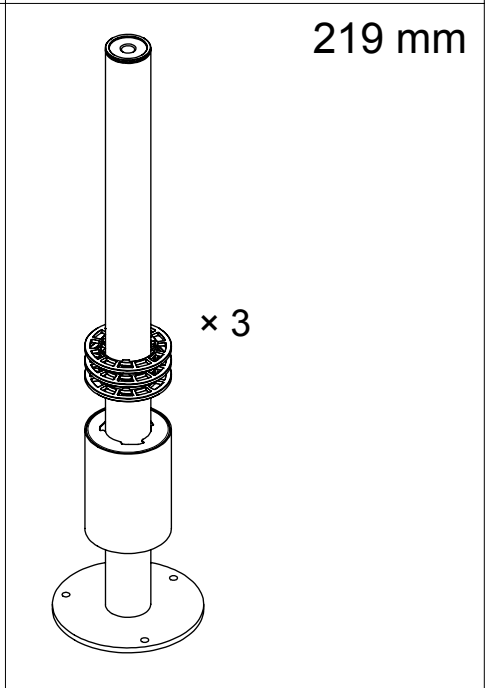
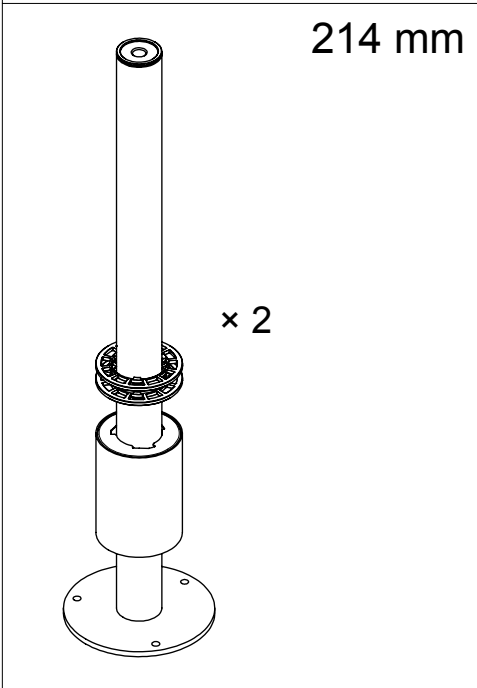
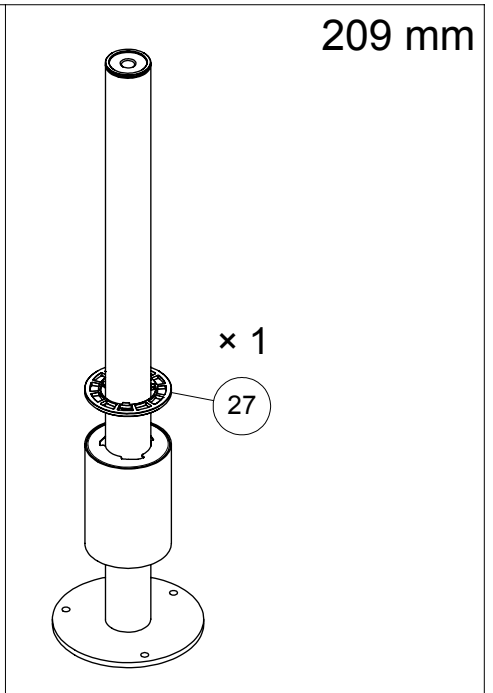
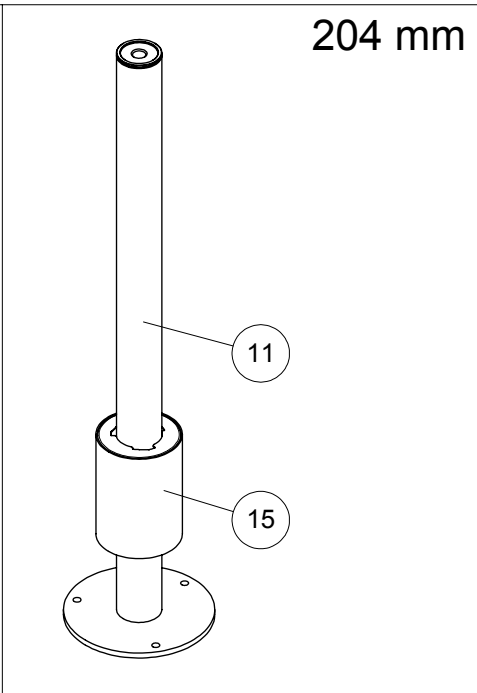
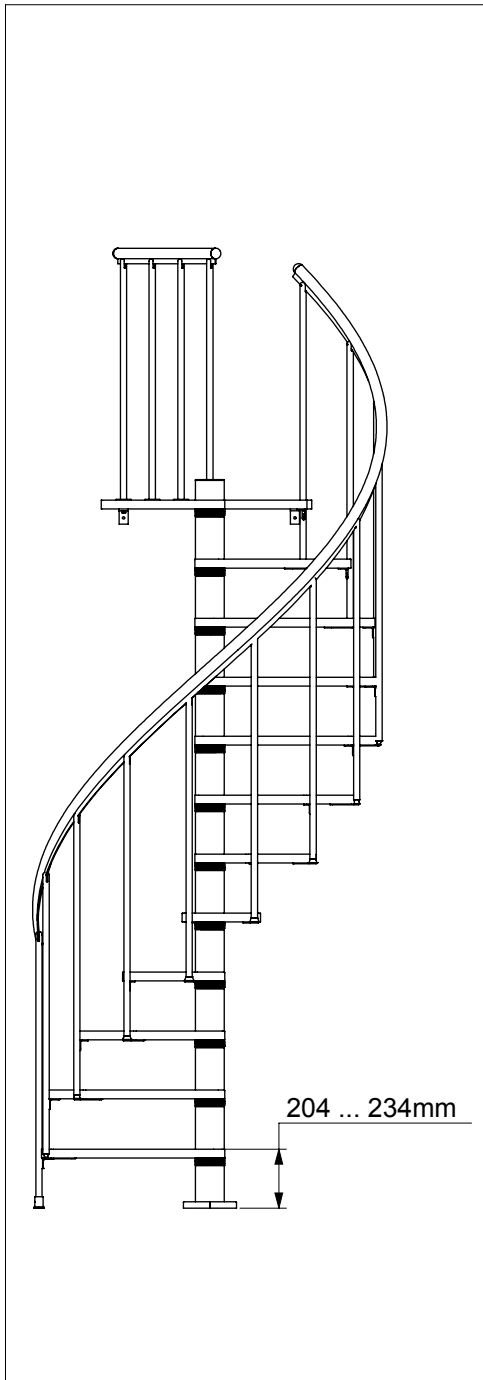


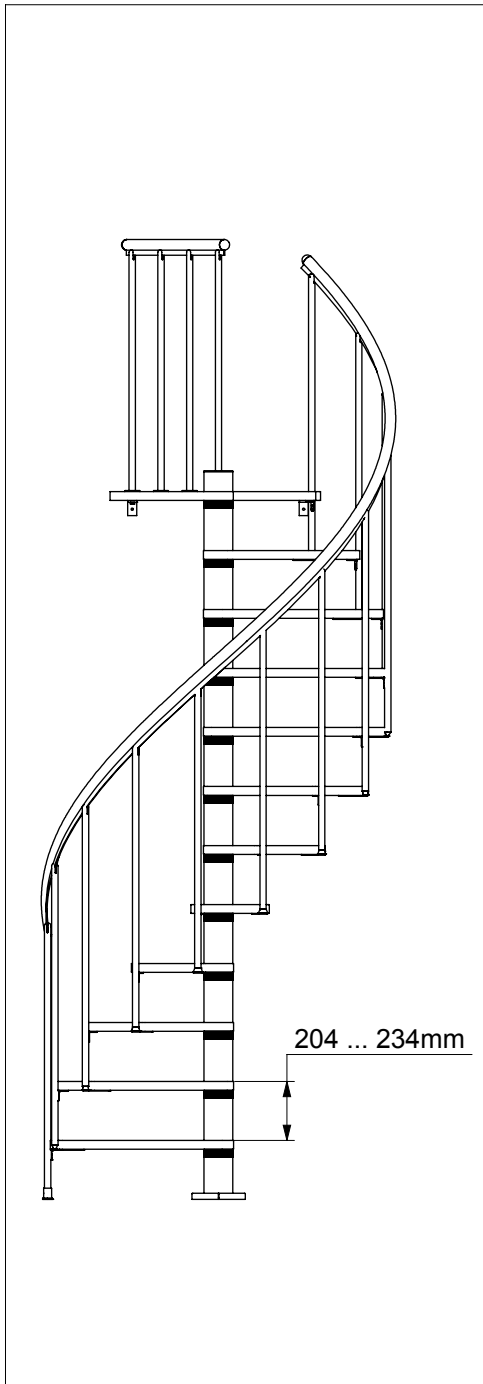
30



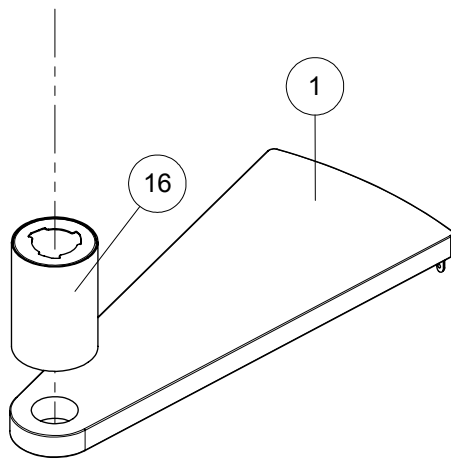
13



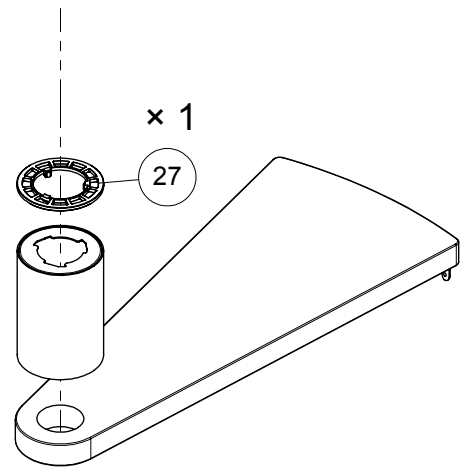




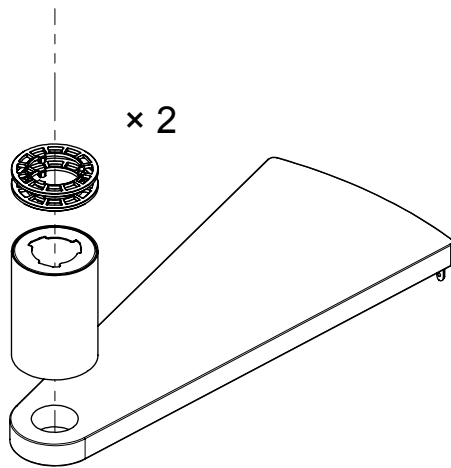
204 mm



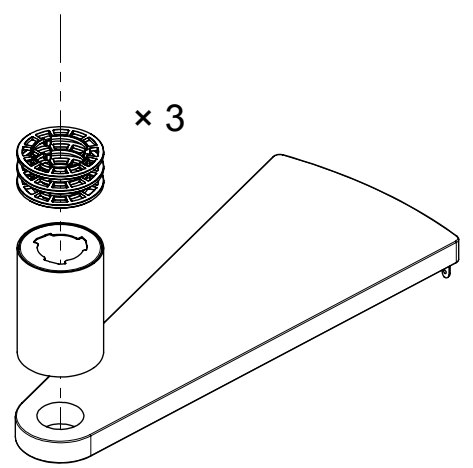
209 mm



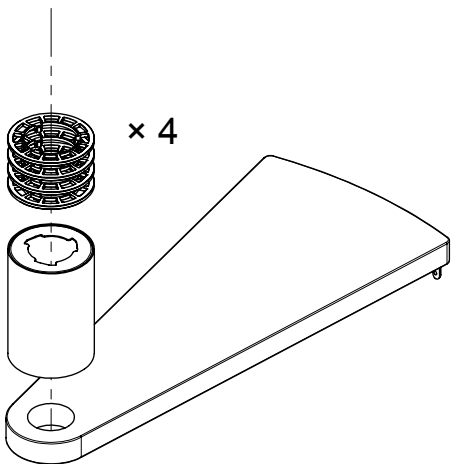
214 mm



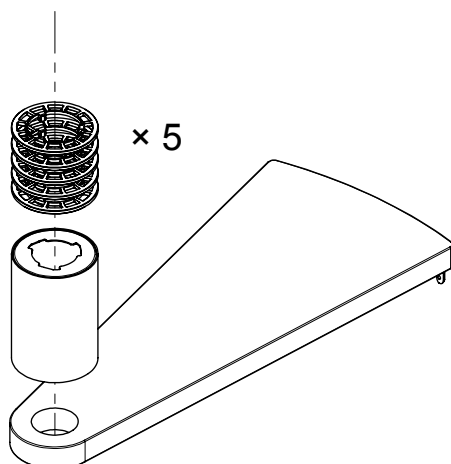
219 mm



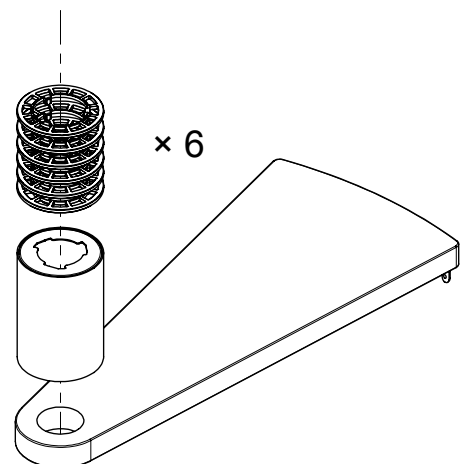
224 mm

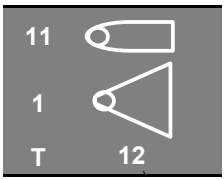


229 mm

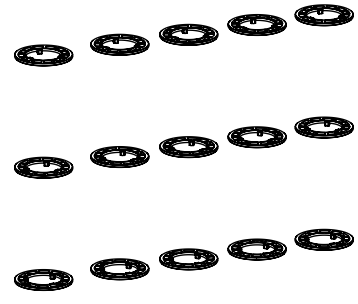


234 mm



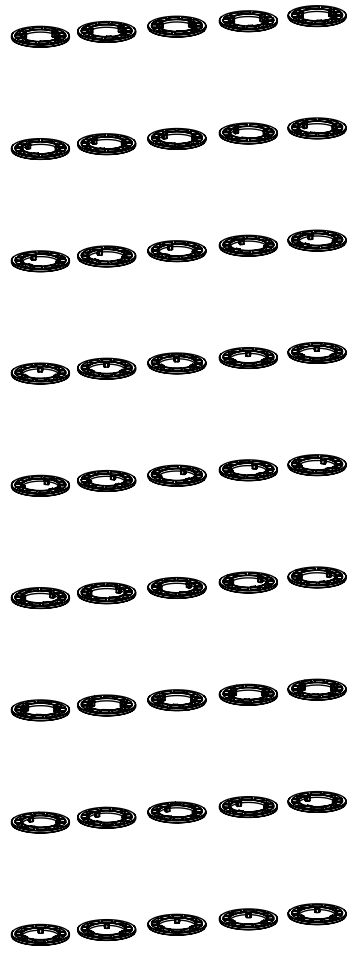


N
0 ... 6 st (pcs)



12
T

N
0 ... 6 st (pcs)



P
+1
st (pcs)

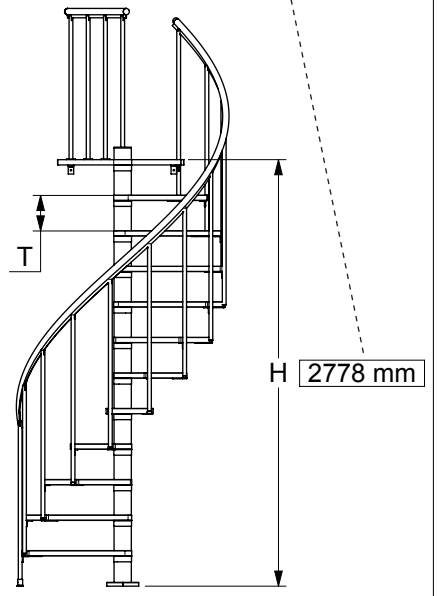
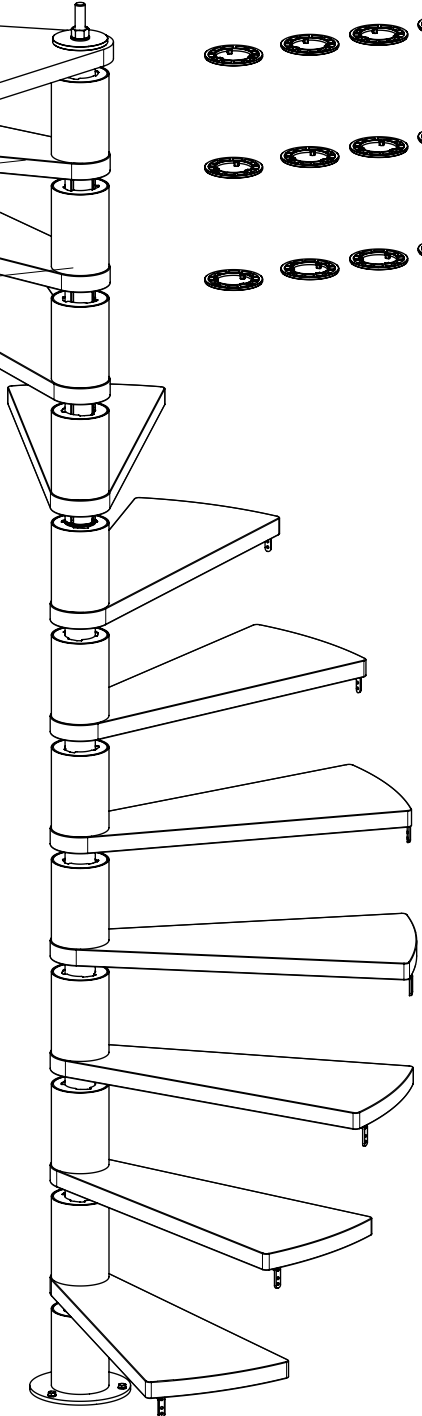


N × T
5 st (pcs) × 12
= 60 st (pcs)

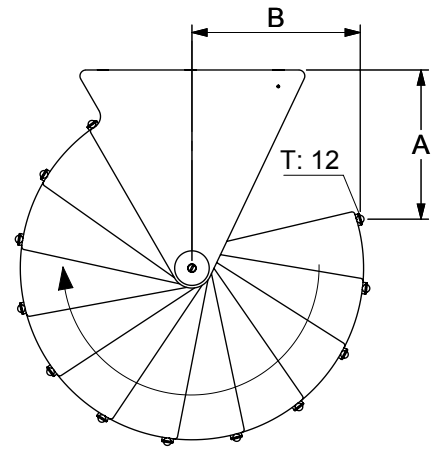
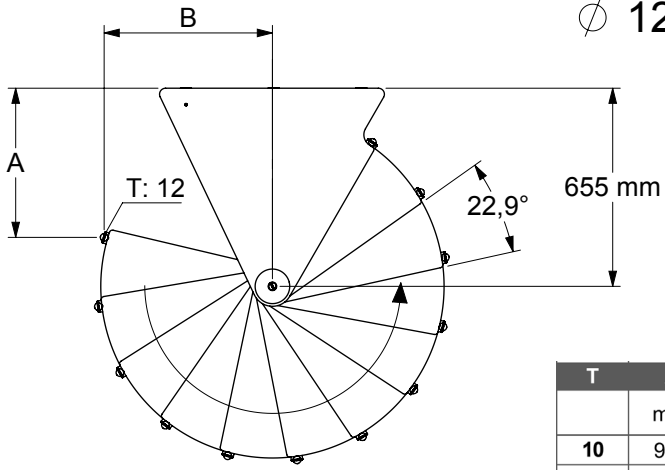
P
+6 st (pcs)

2773	5	5
2778	5	6
2783	5	7
2788	5	8
2793	5	9
2798	5	10

2773	5	5
2778	5	6
2783	5	7
2788	5	8
2793	5	9
2798	5	10

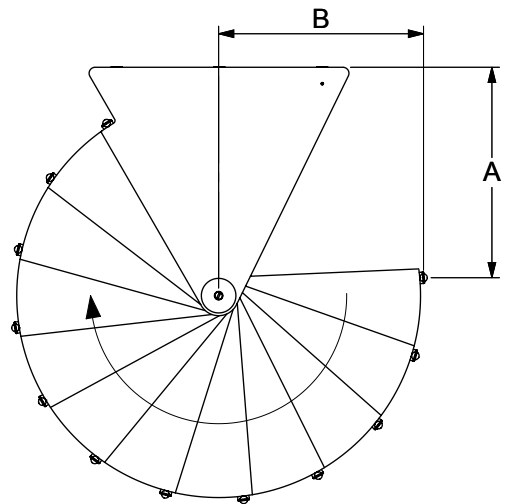
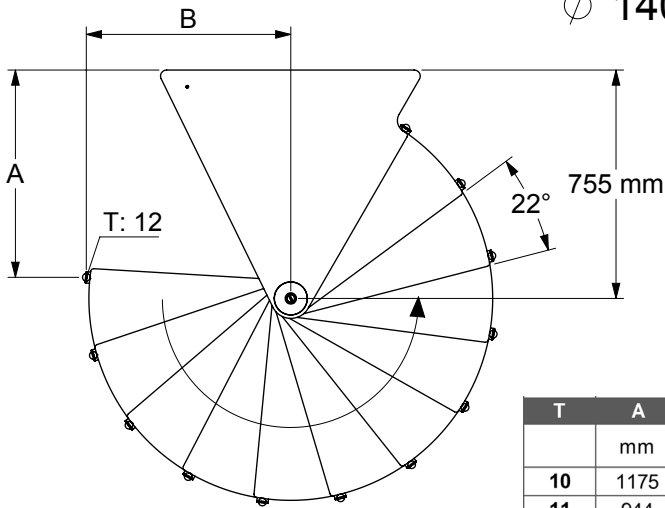


∅ 120 cm

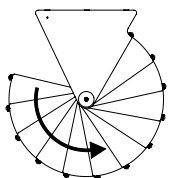
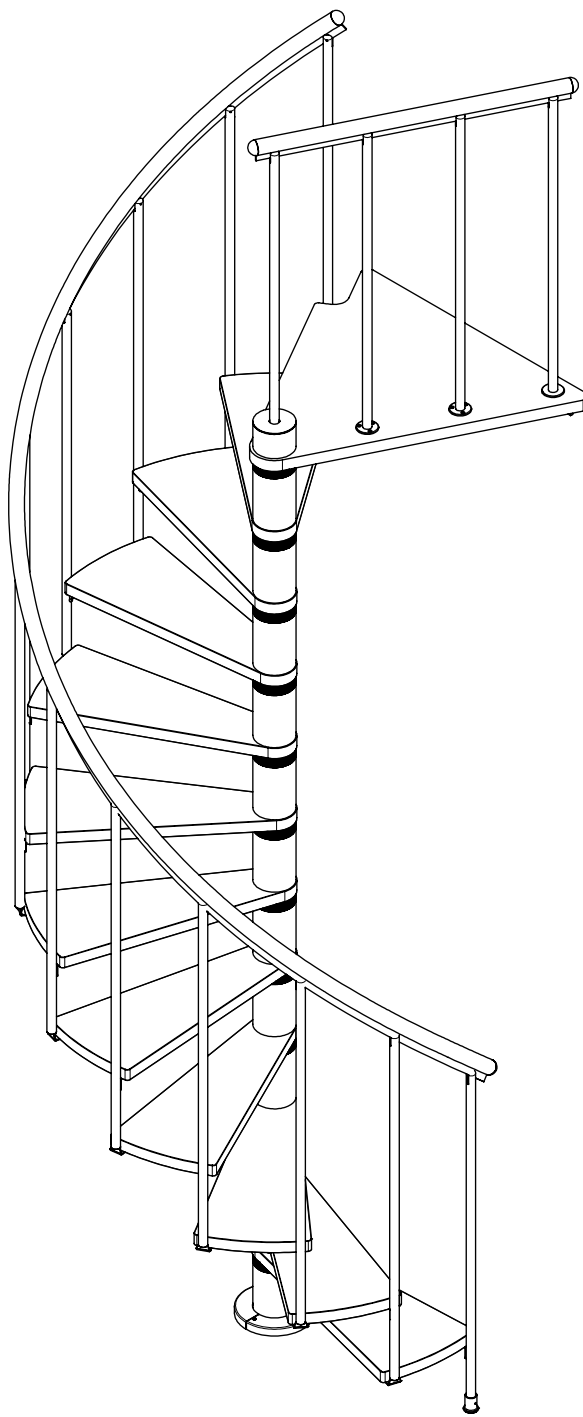
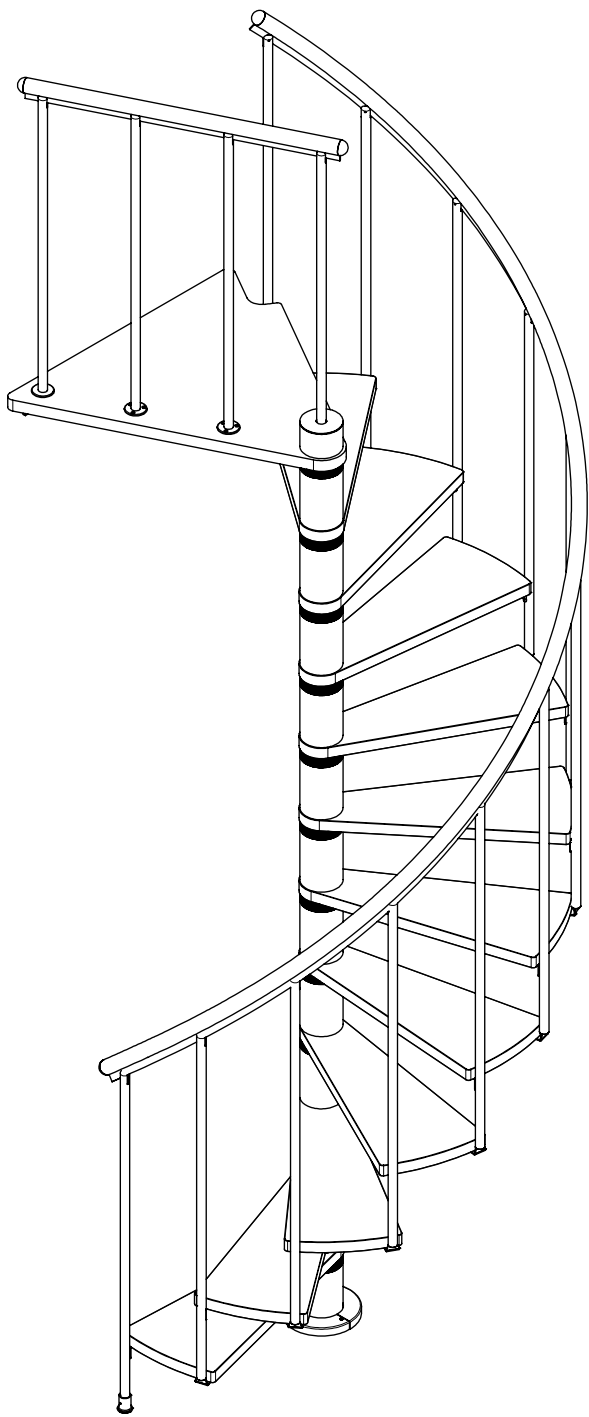
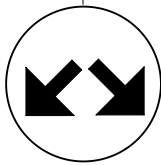


T	A	B
	mm	mm
10	941	506
11	722	578
12	493	558

∅ 140 cm



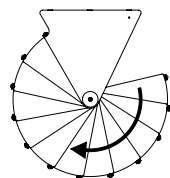
T	A	B
	mm	mm
10	1175	537
11	944	655
12	685	678



Left
Links
Gauche



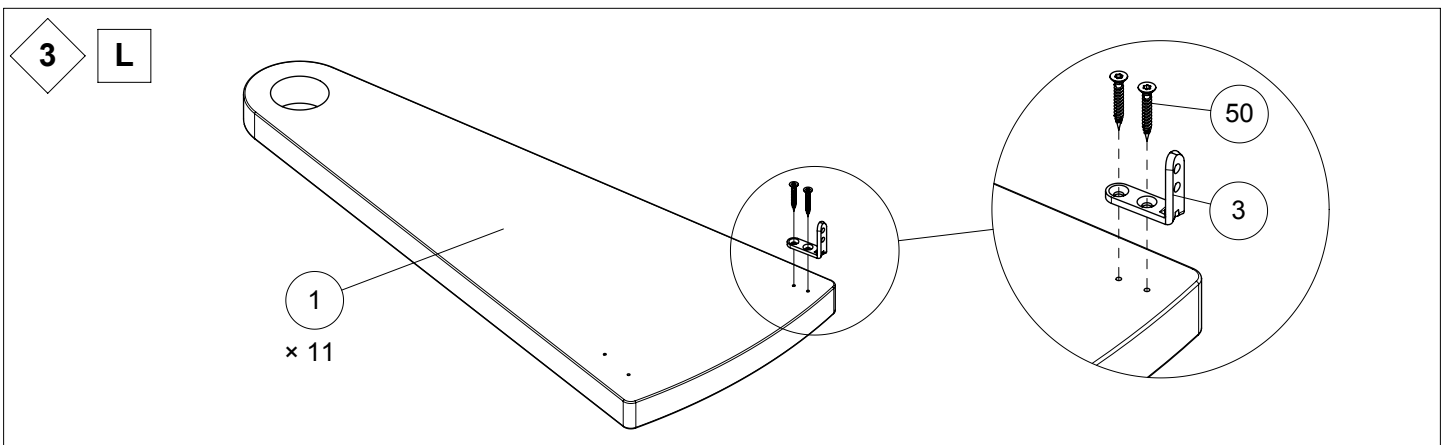
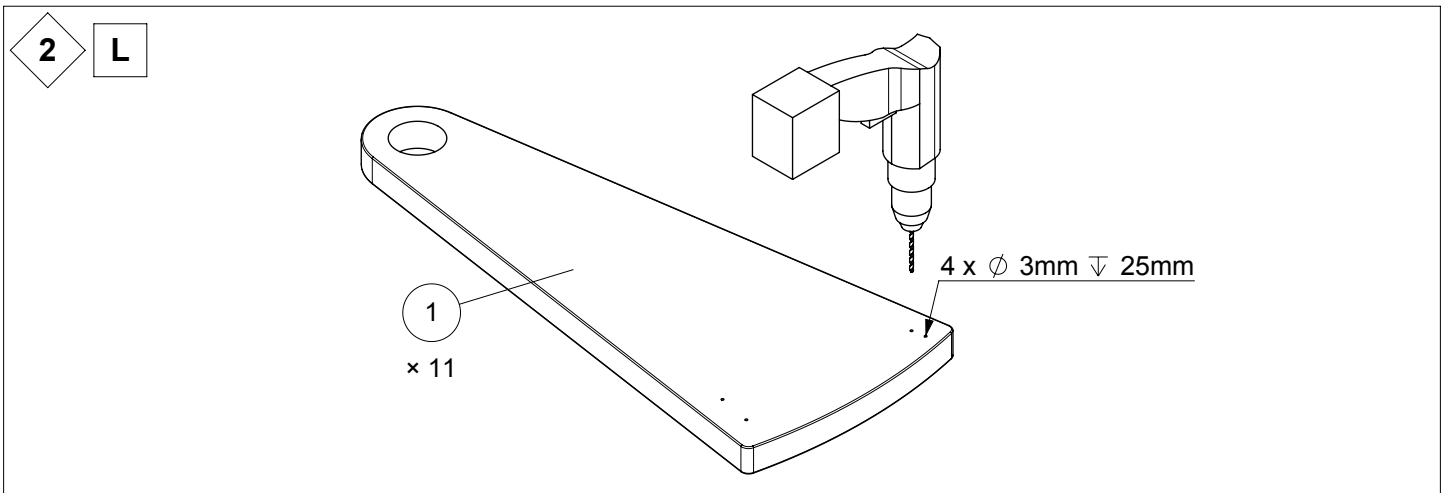
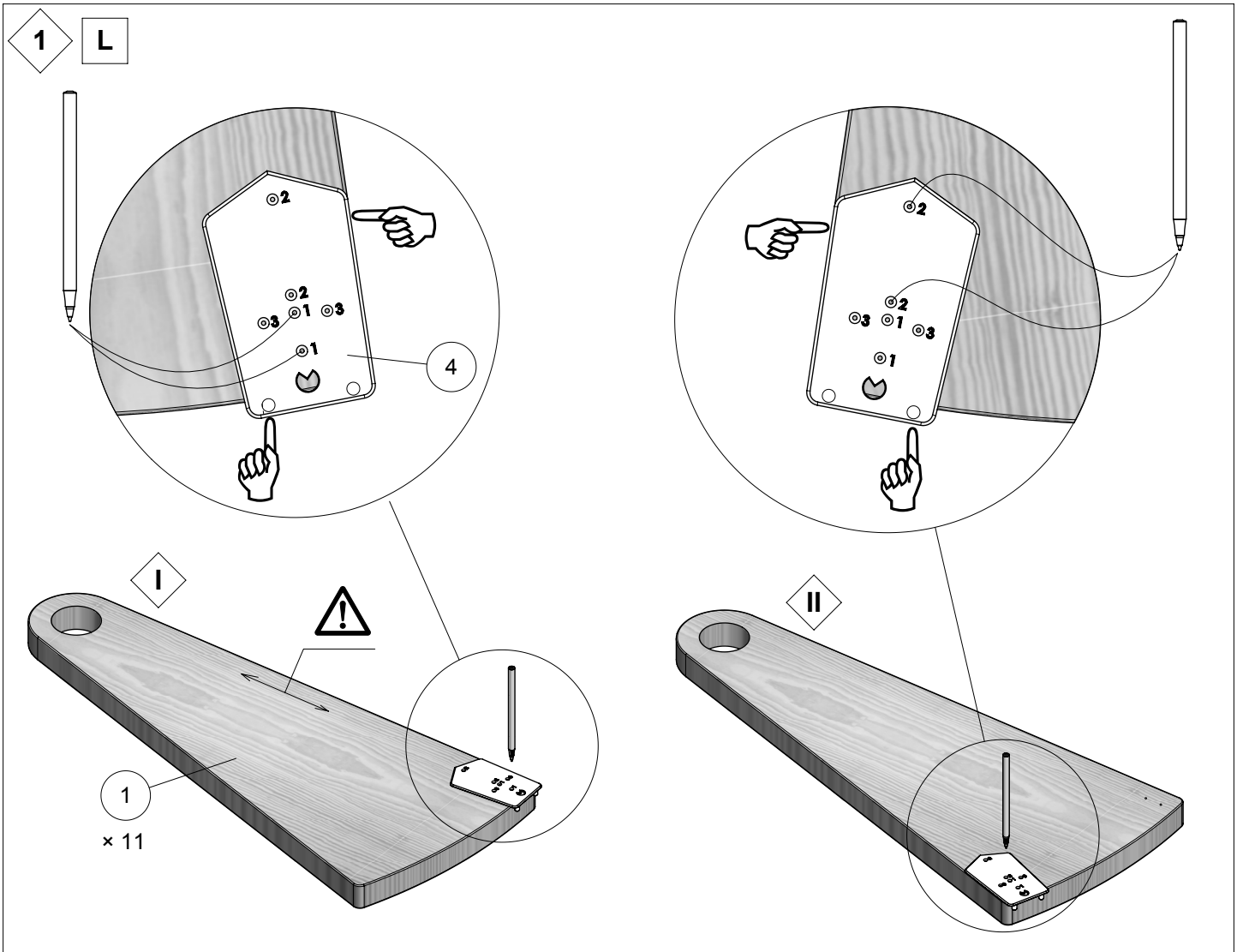
1 L

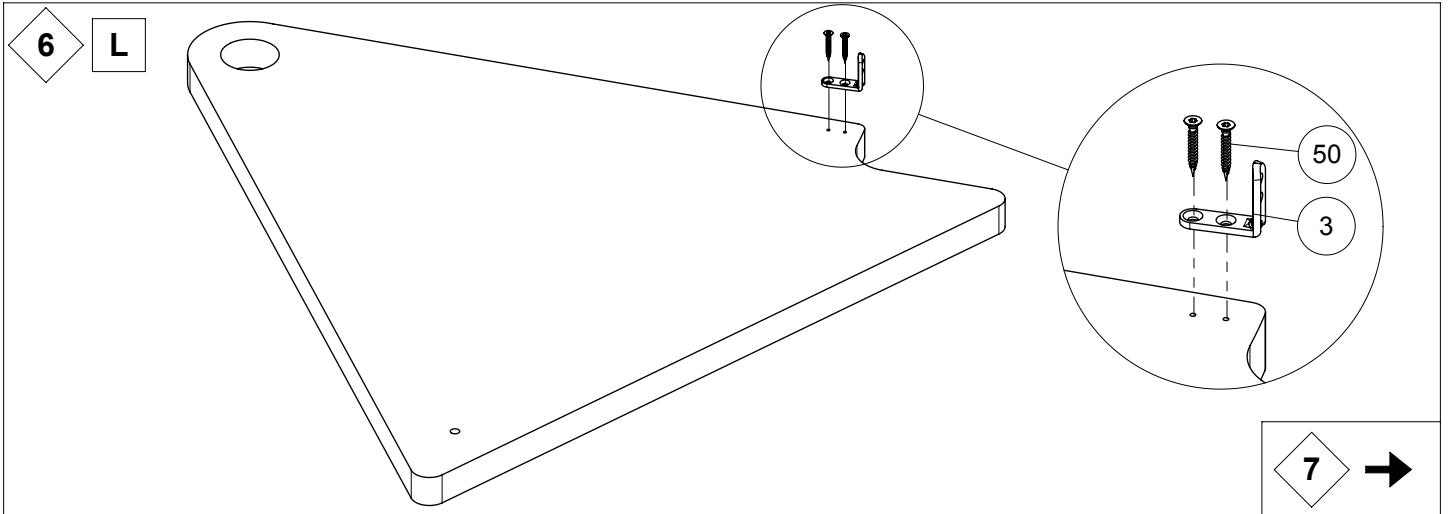
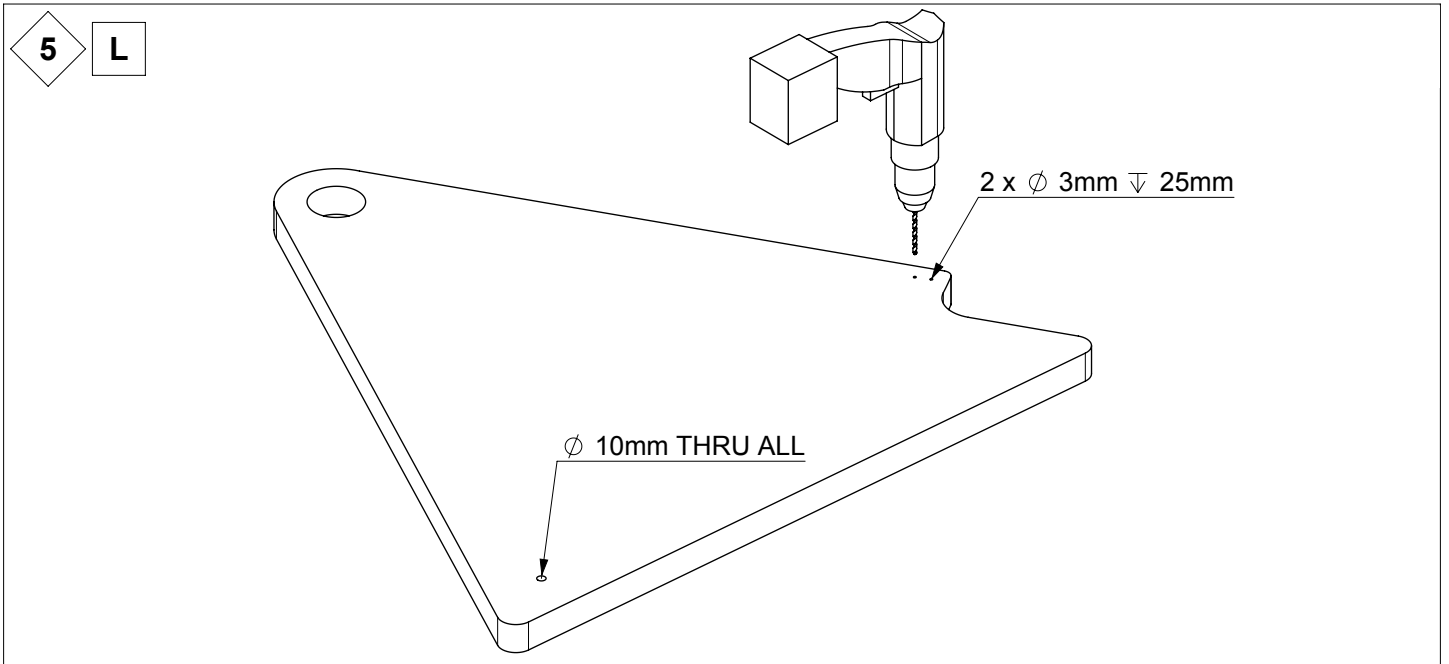
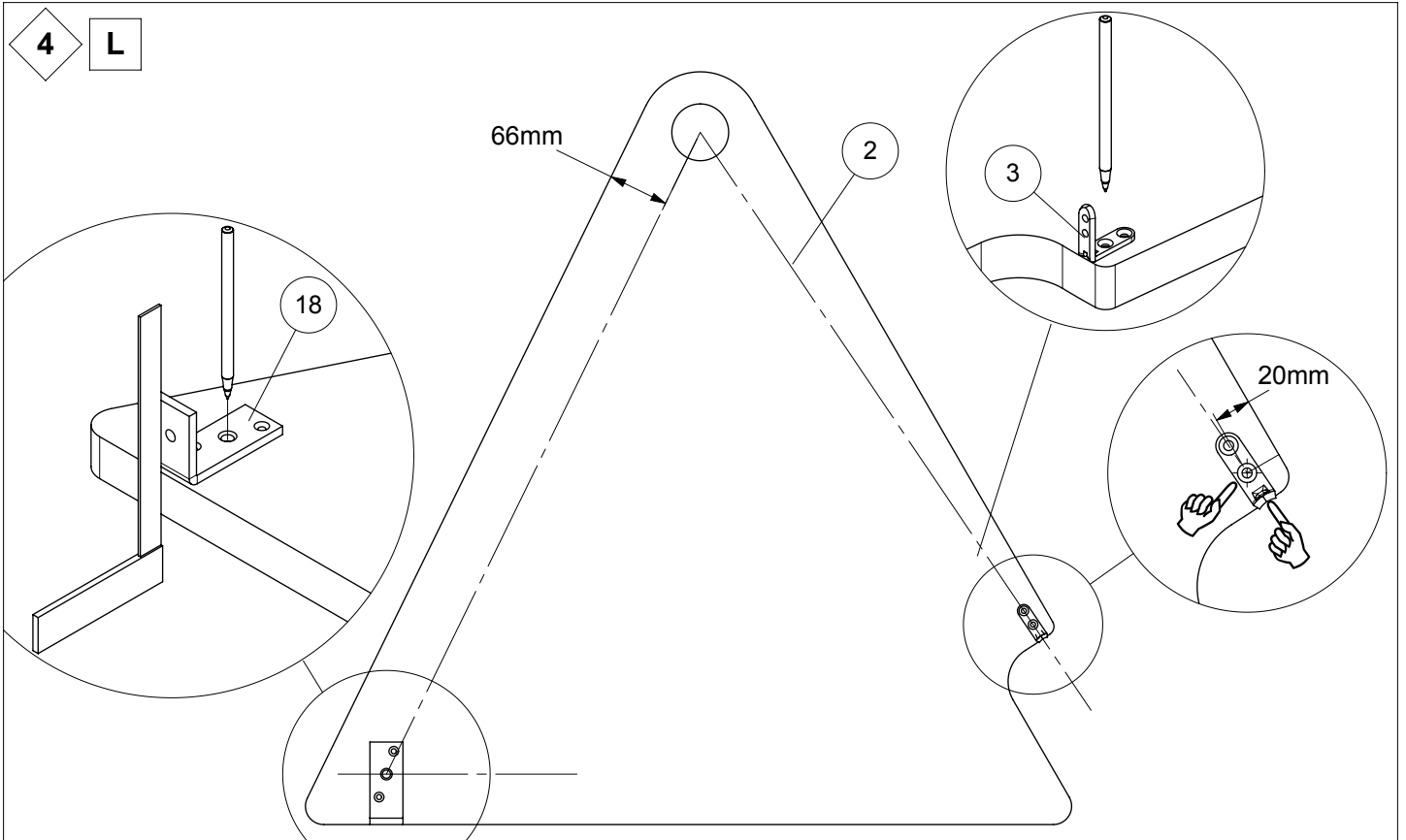


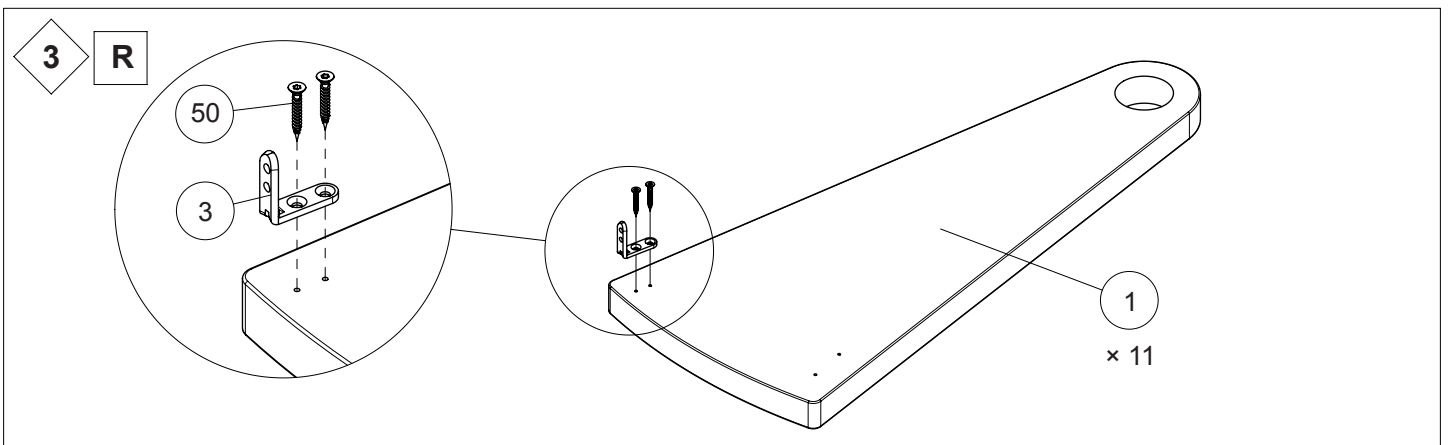
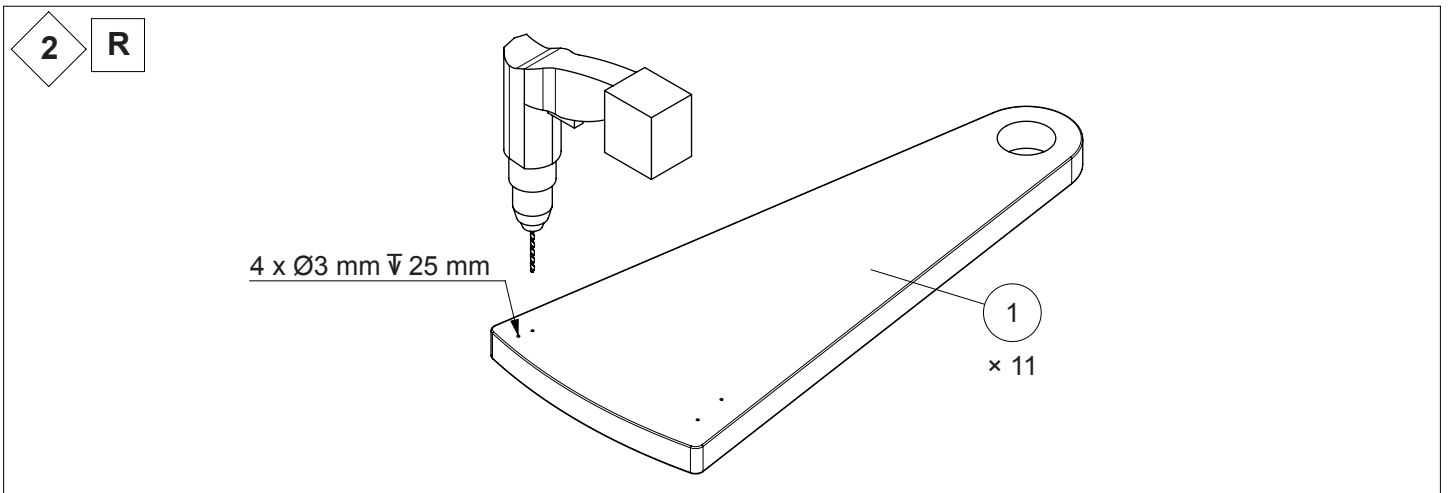
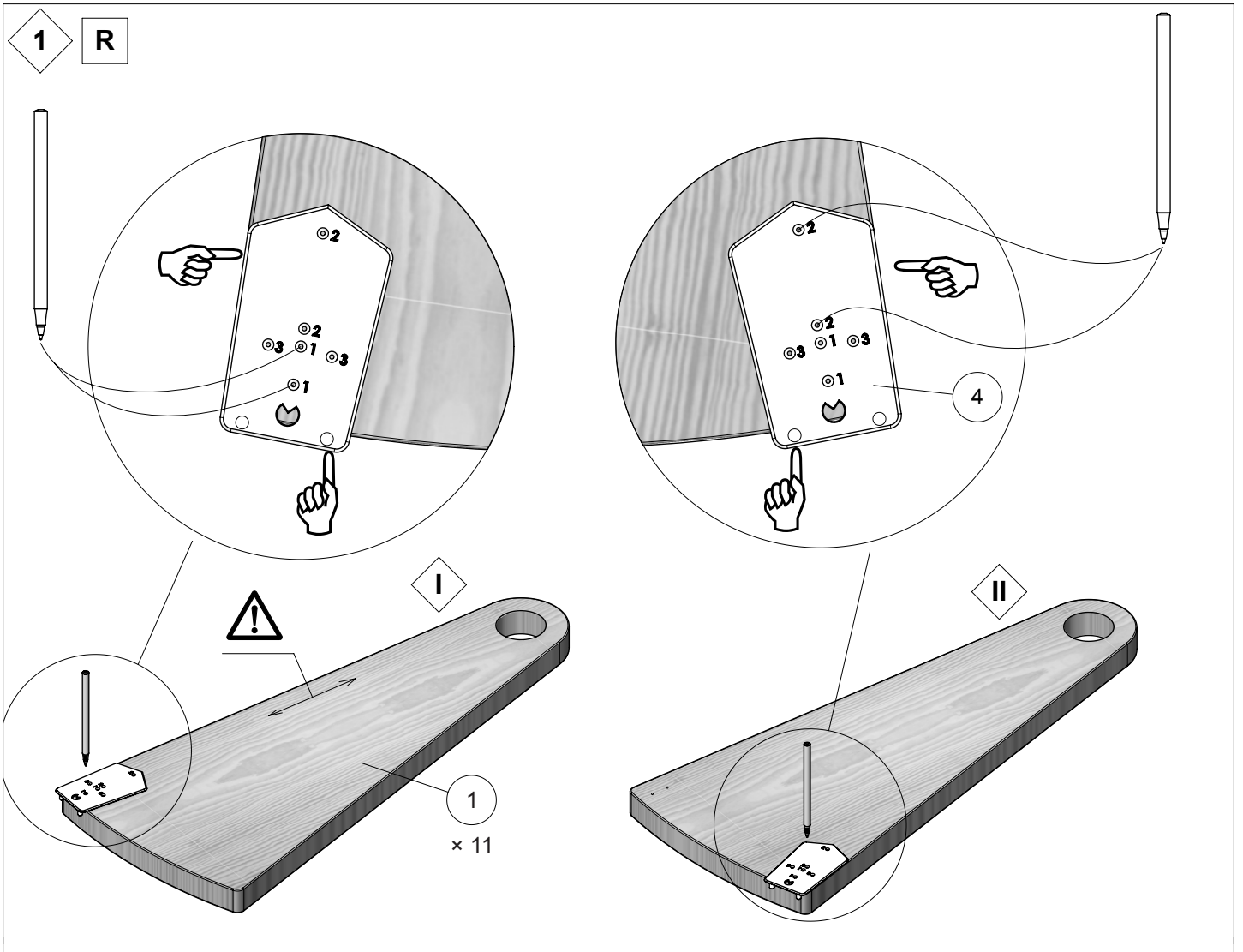
Right
Recht
Droite

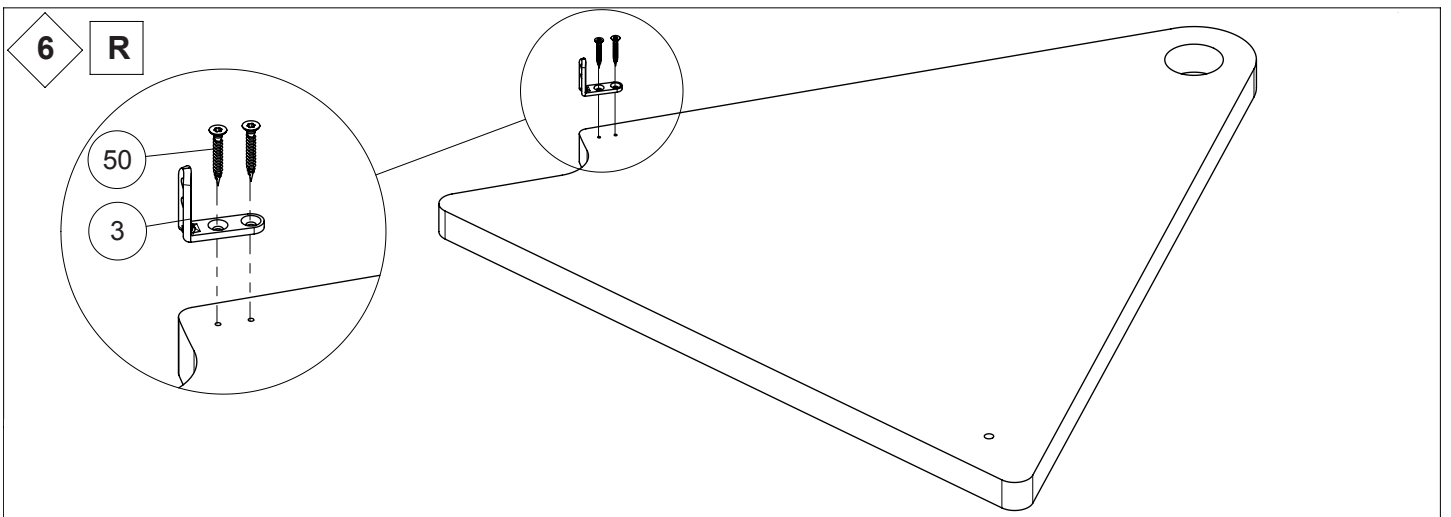
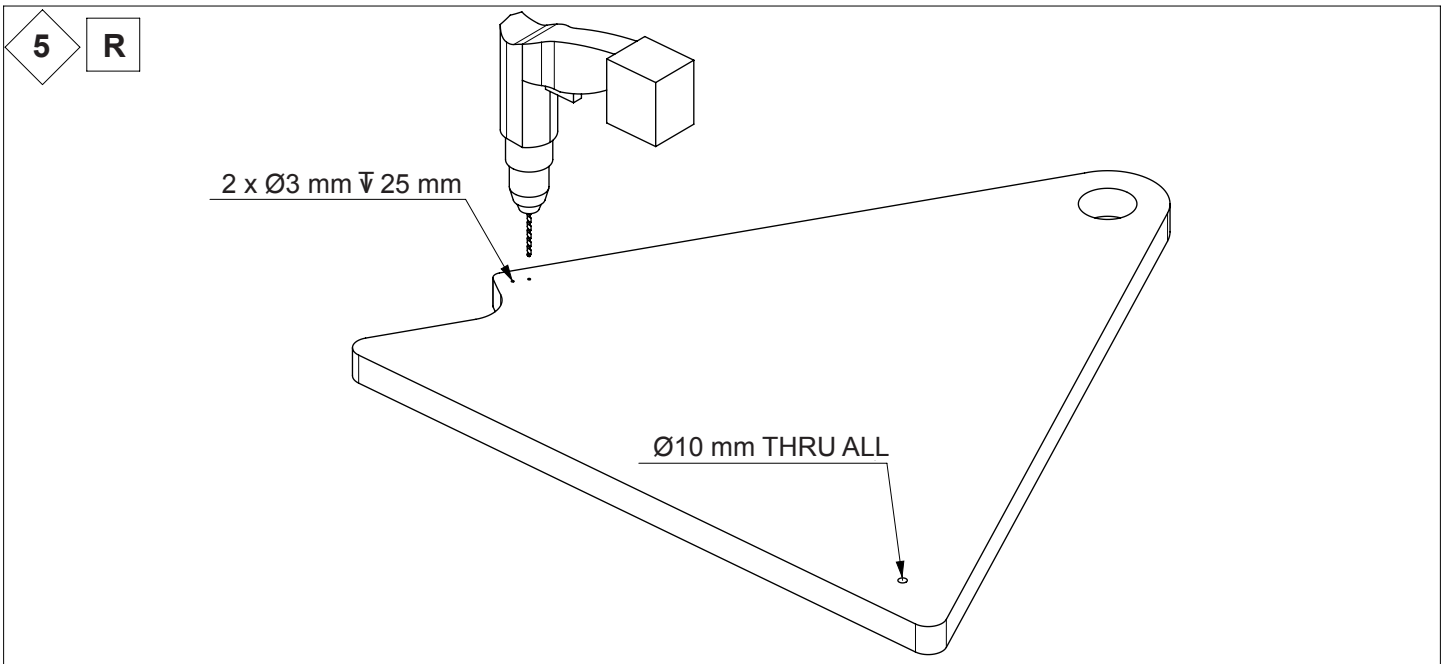
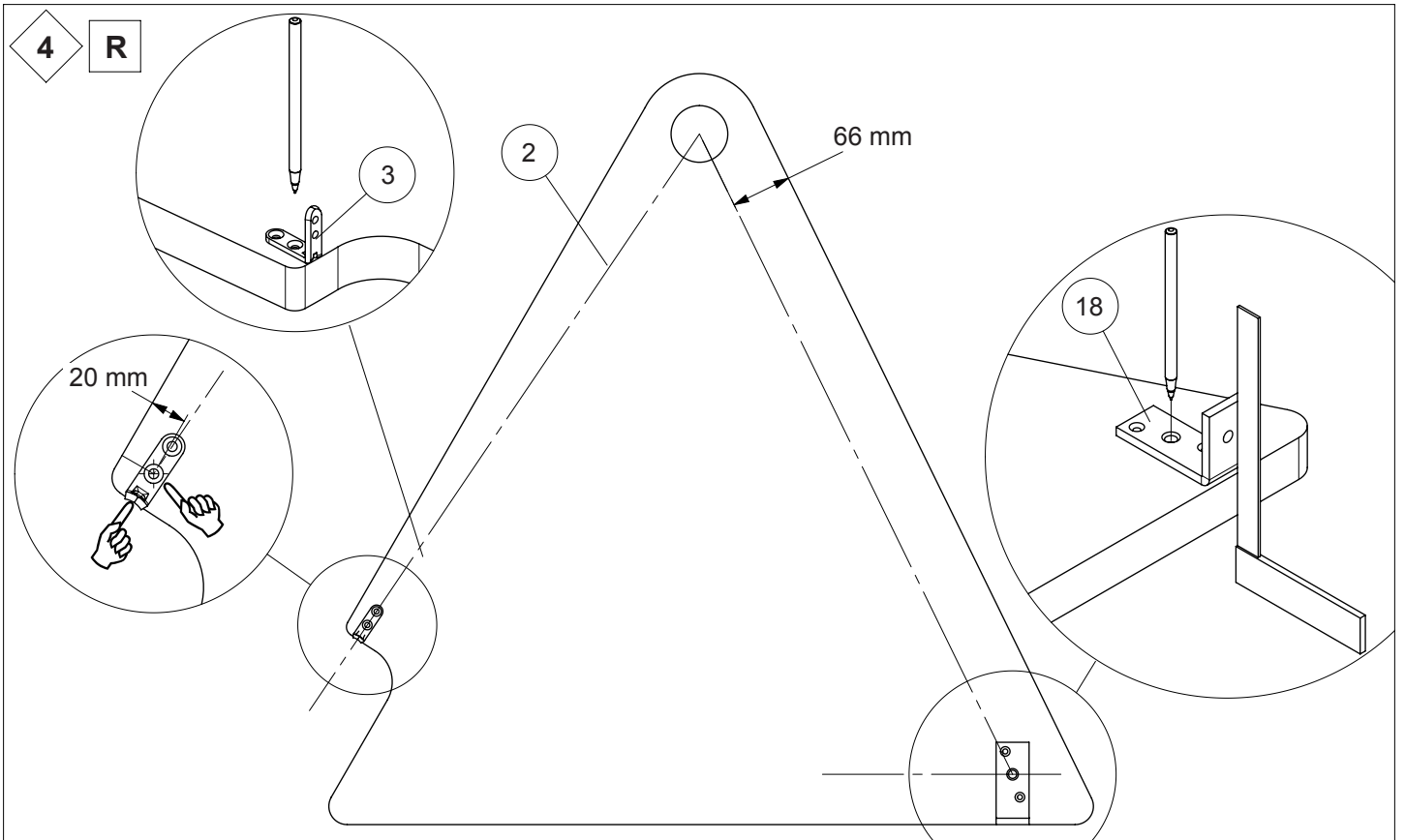


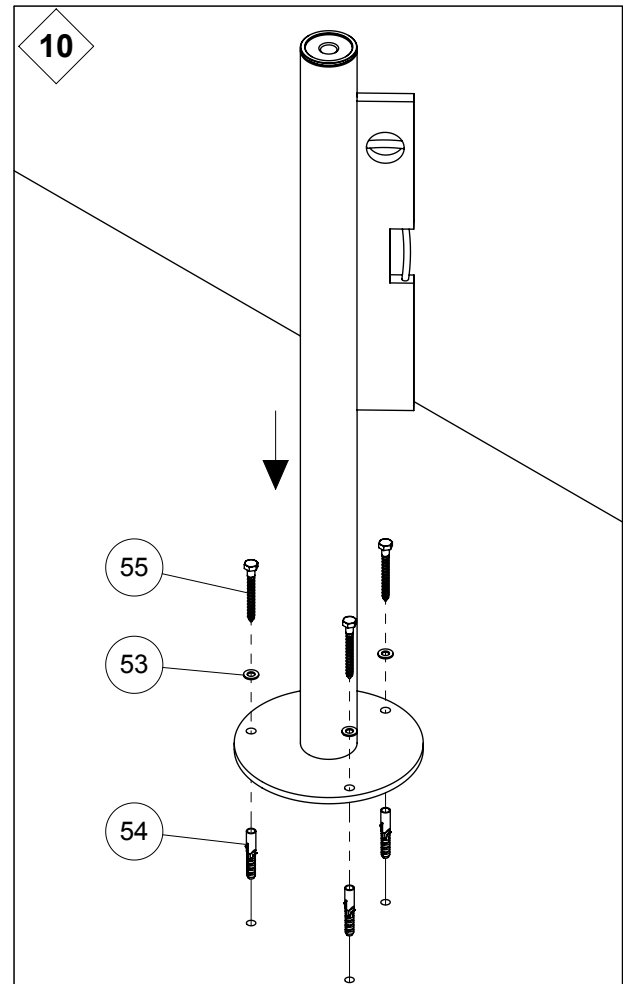
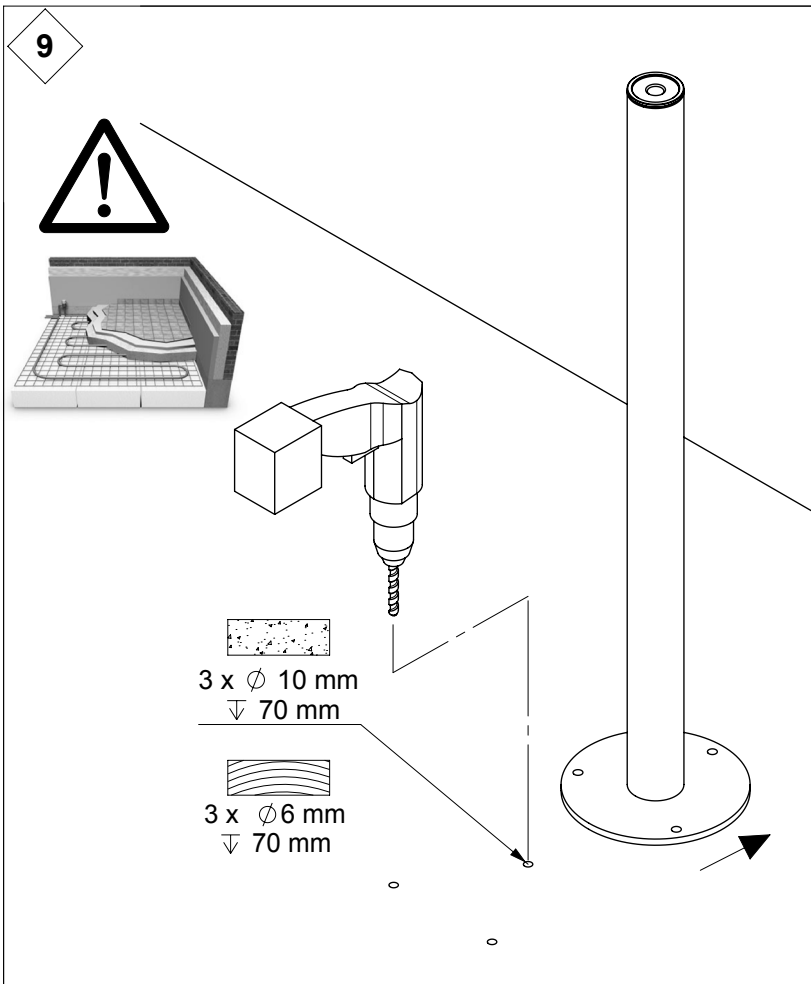
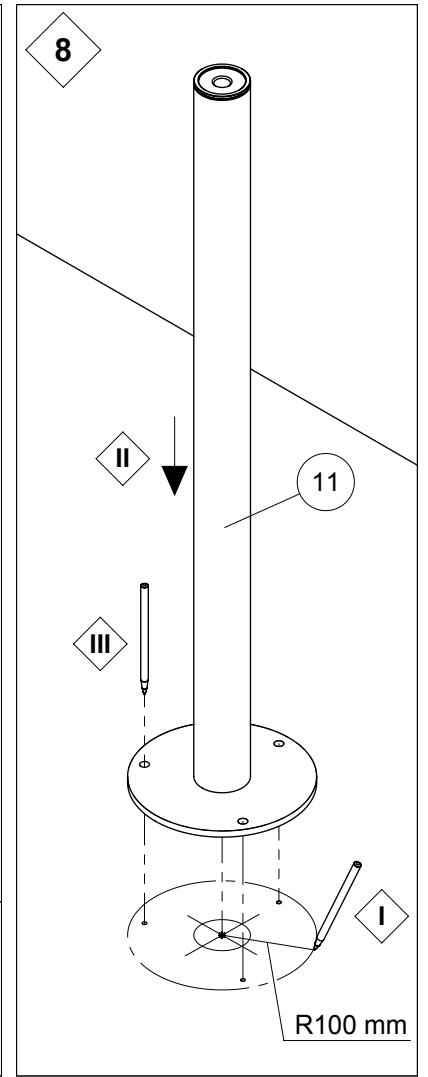
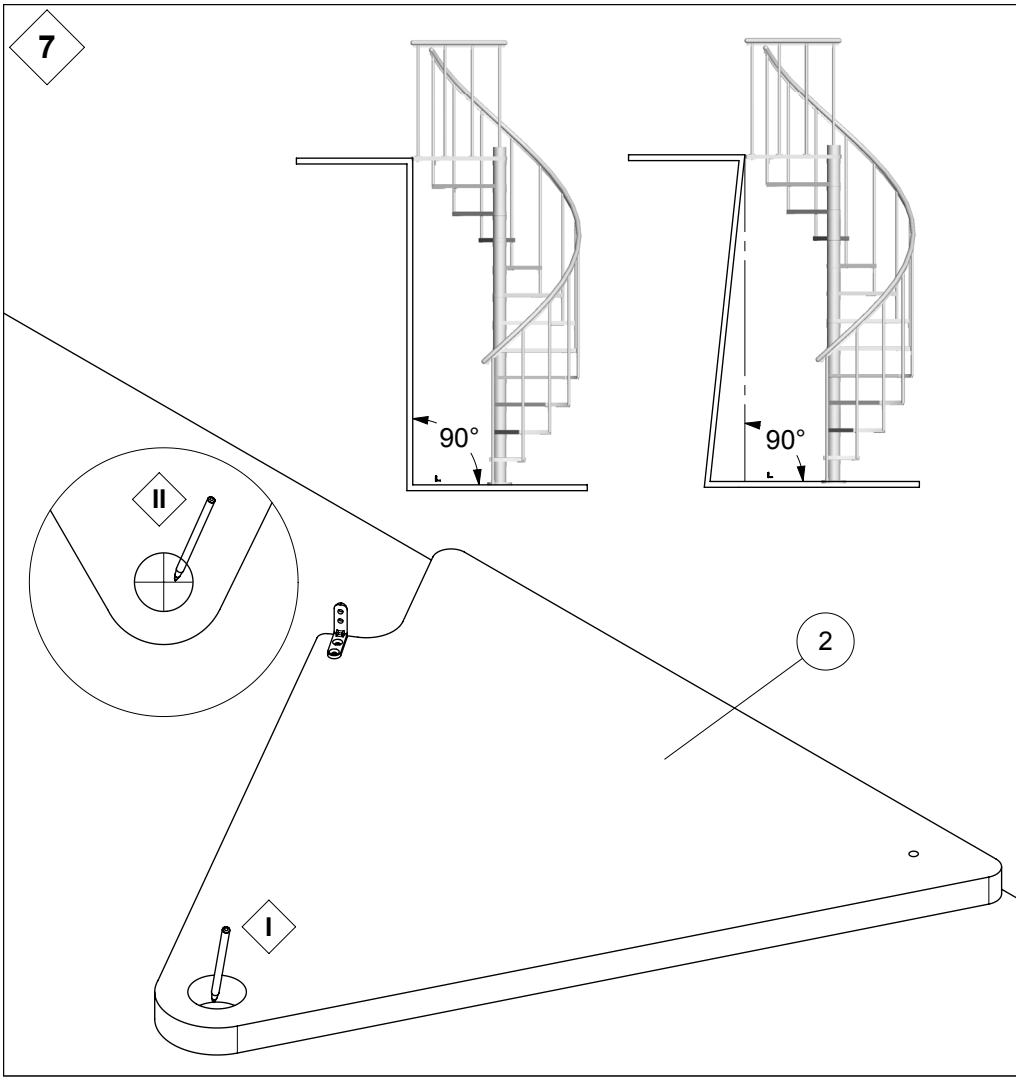
1 R

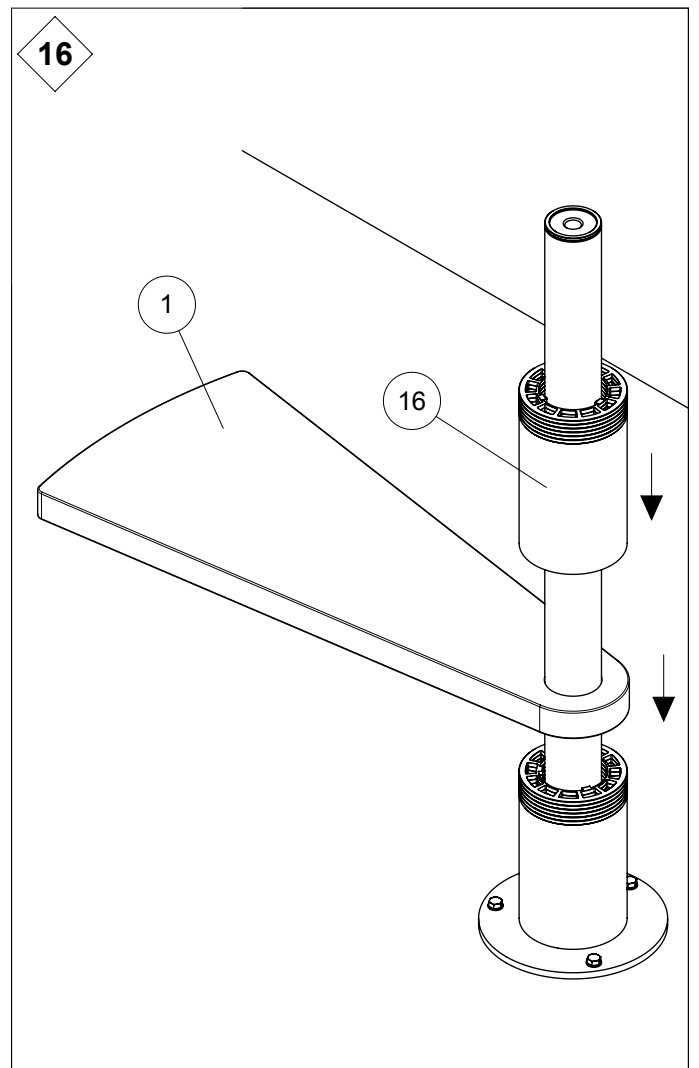
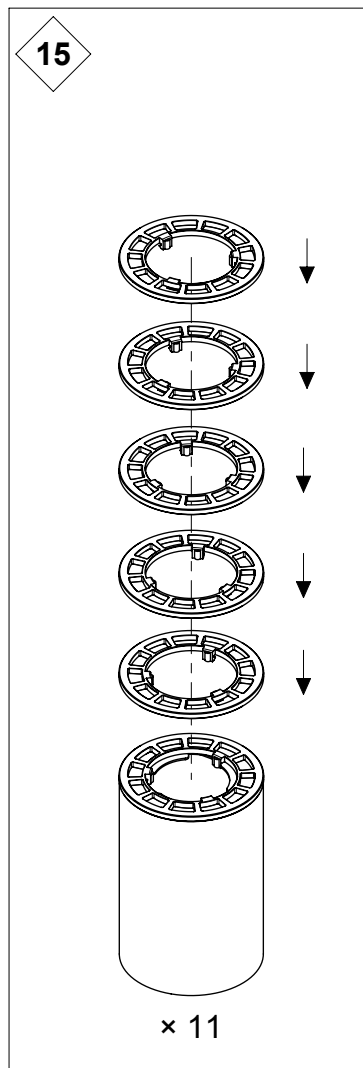
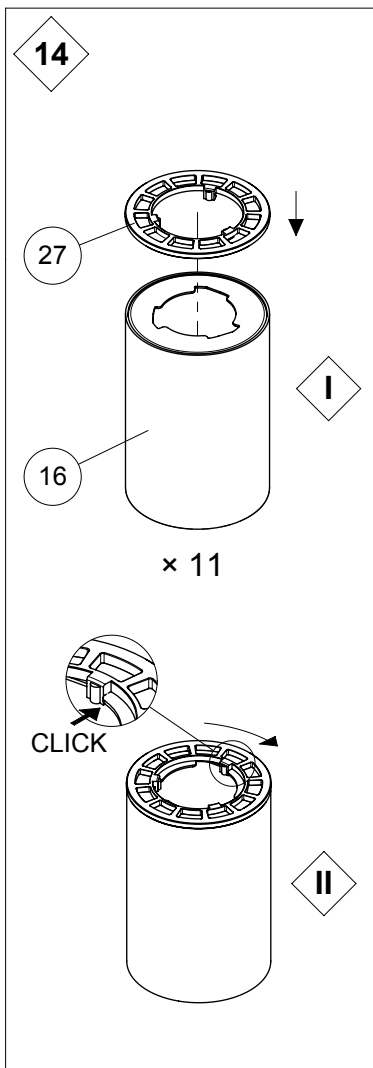
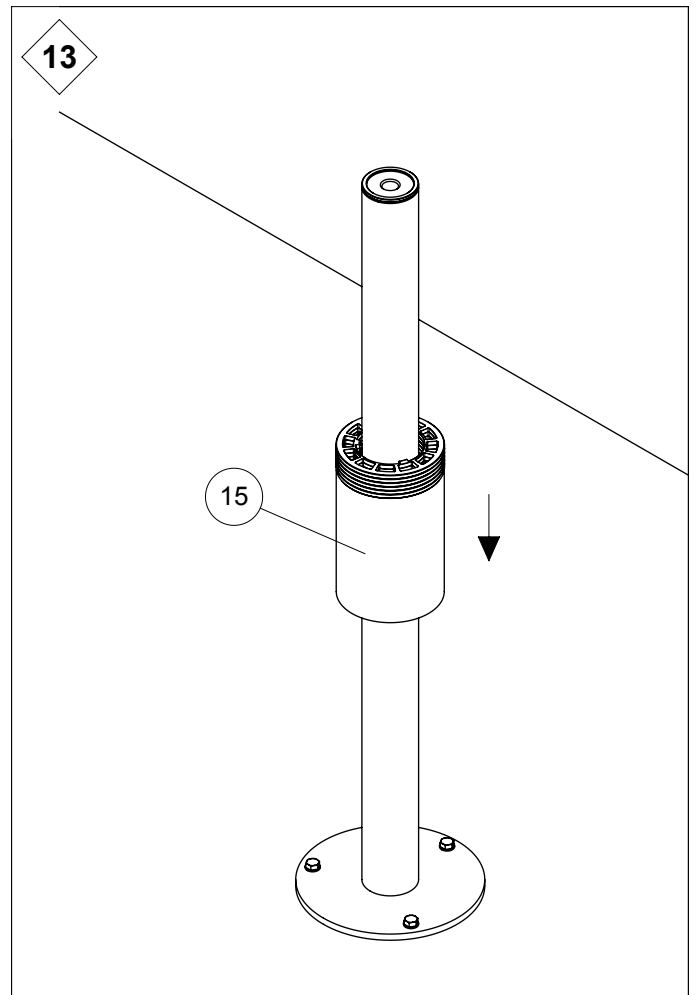
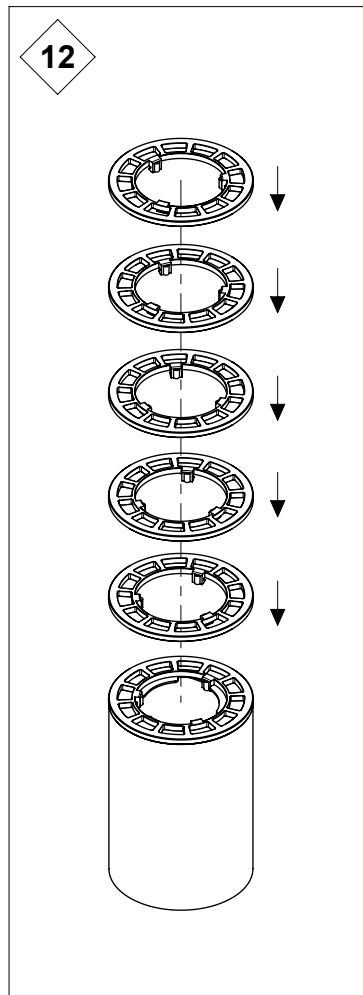
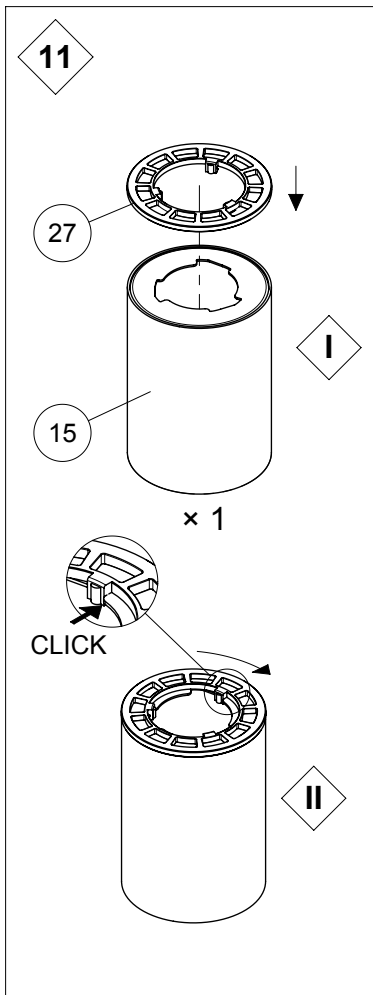




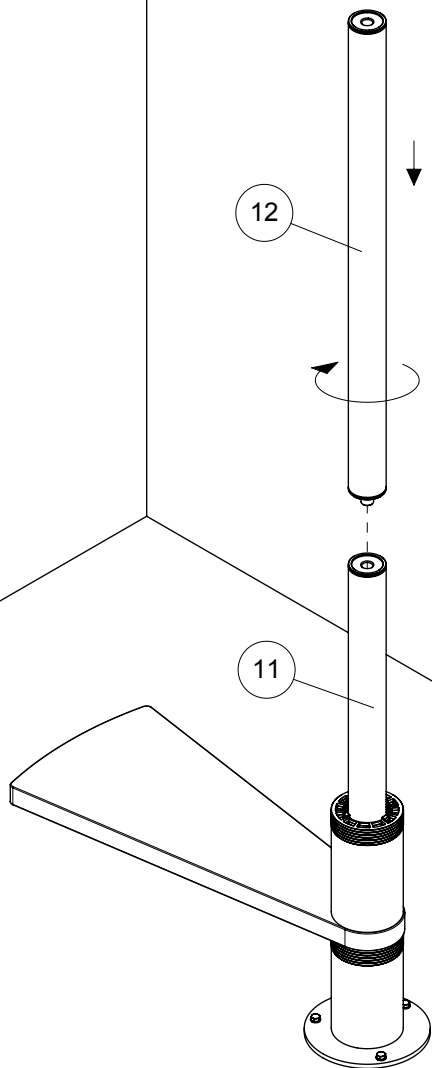




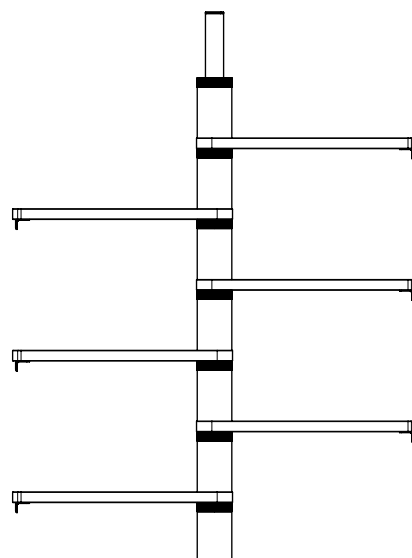
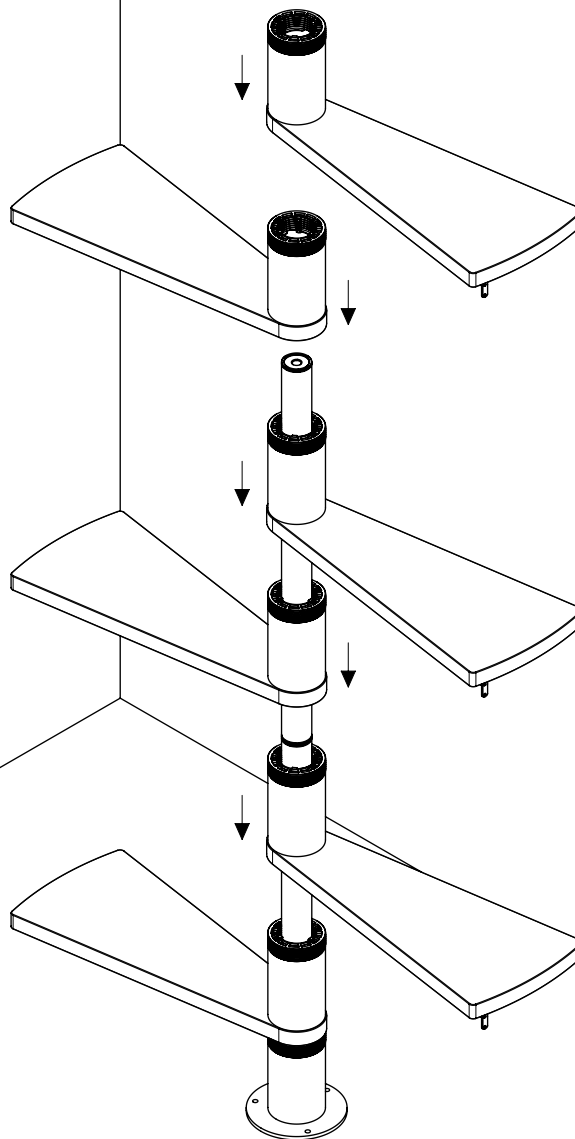


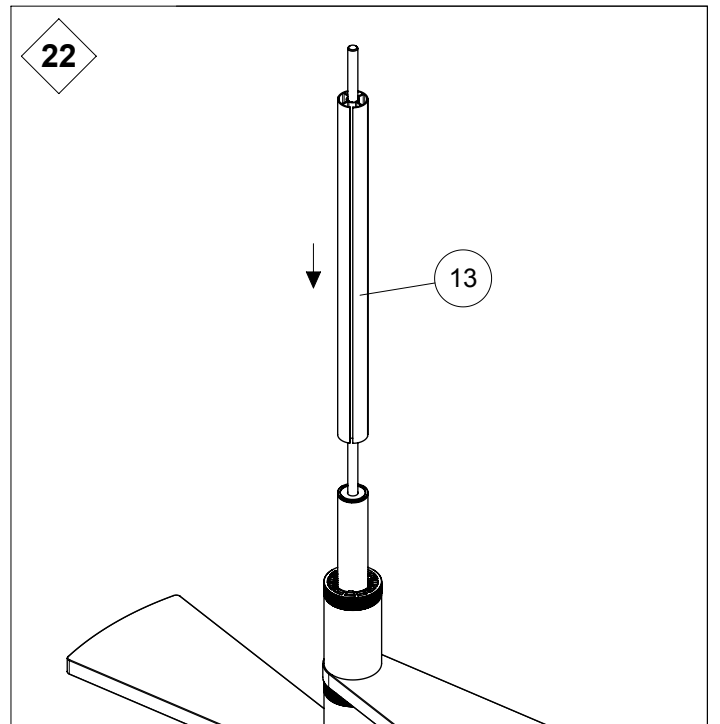
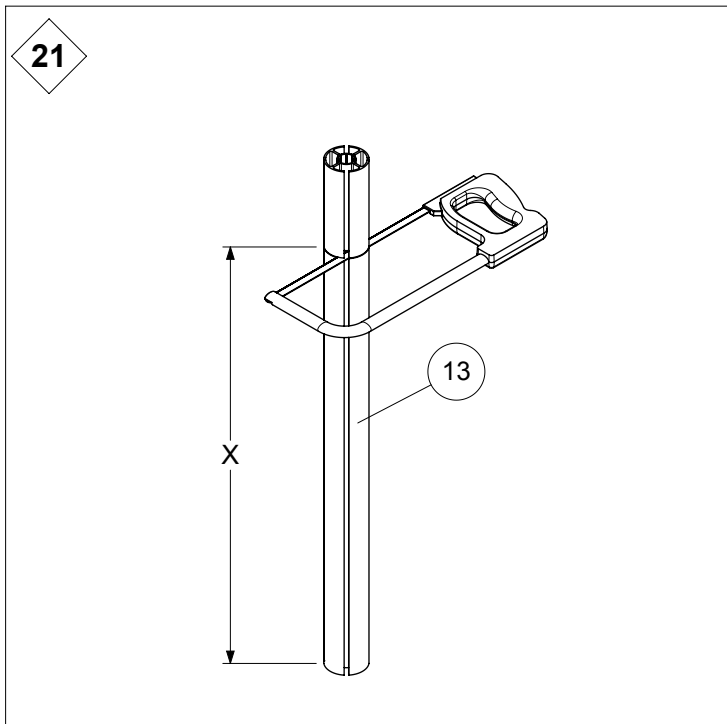
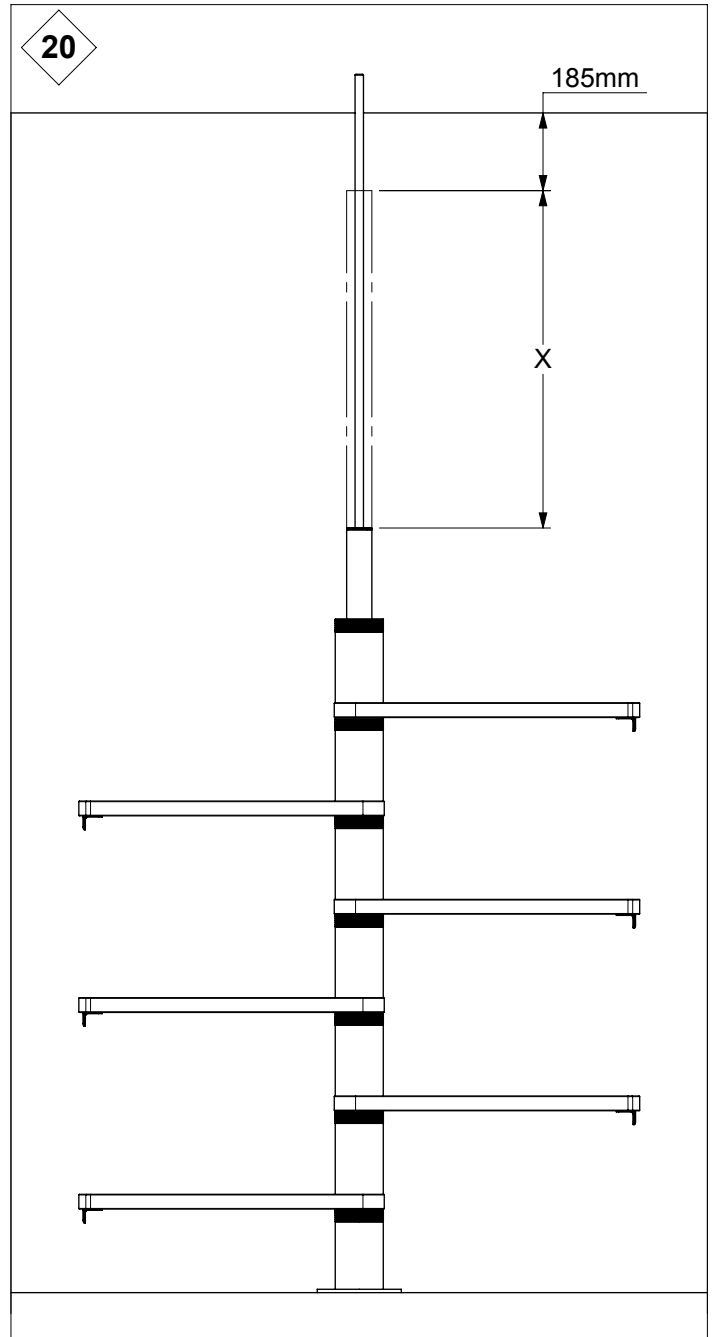
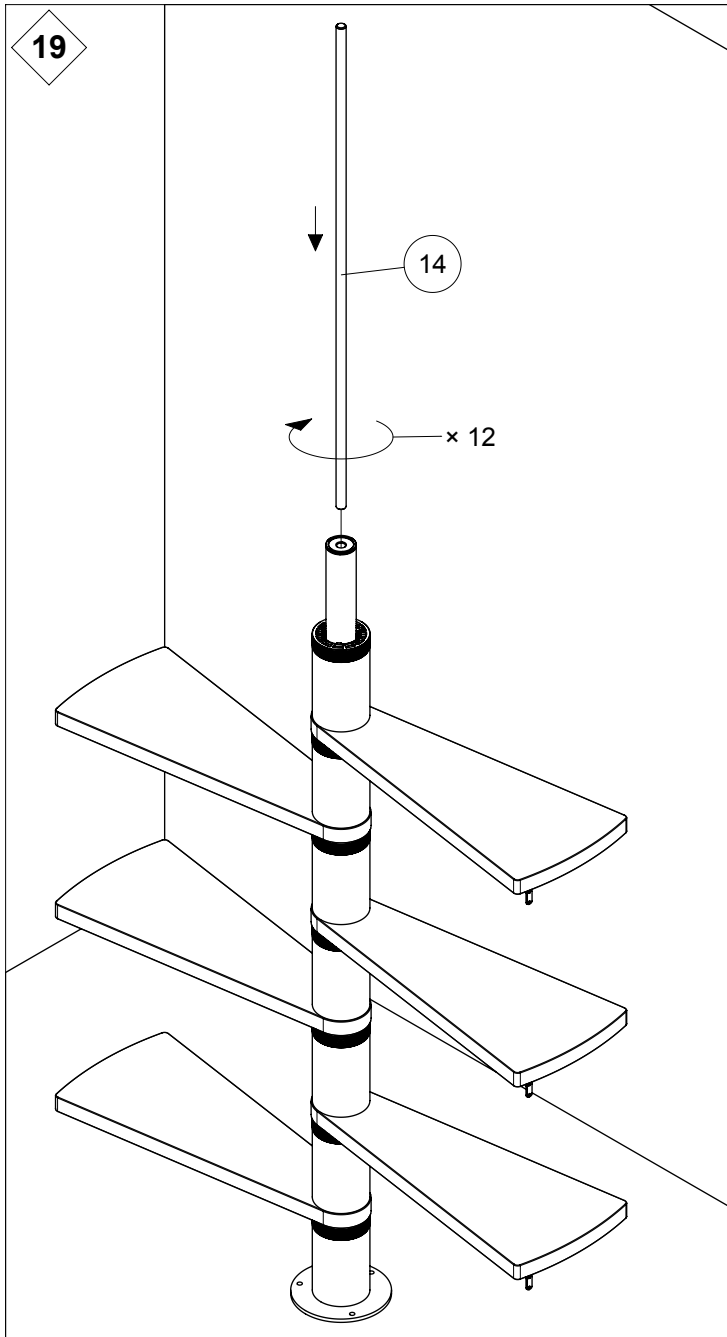


17

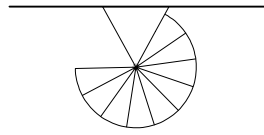
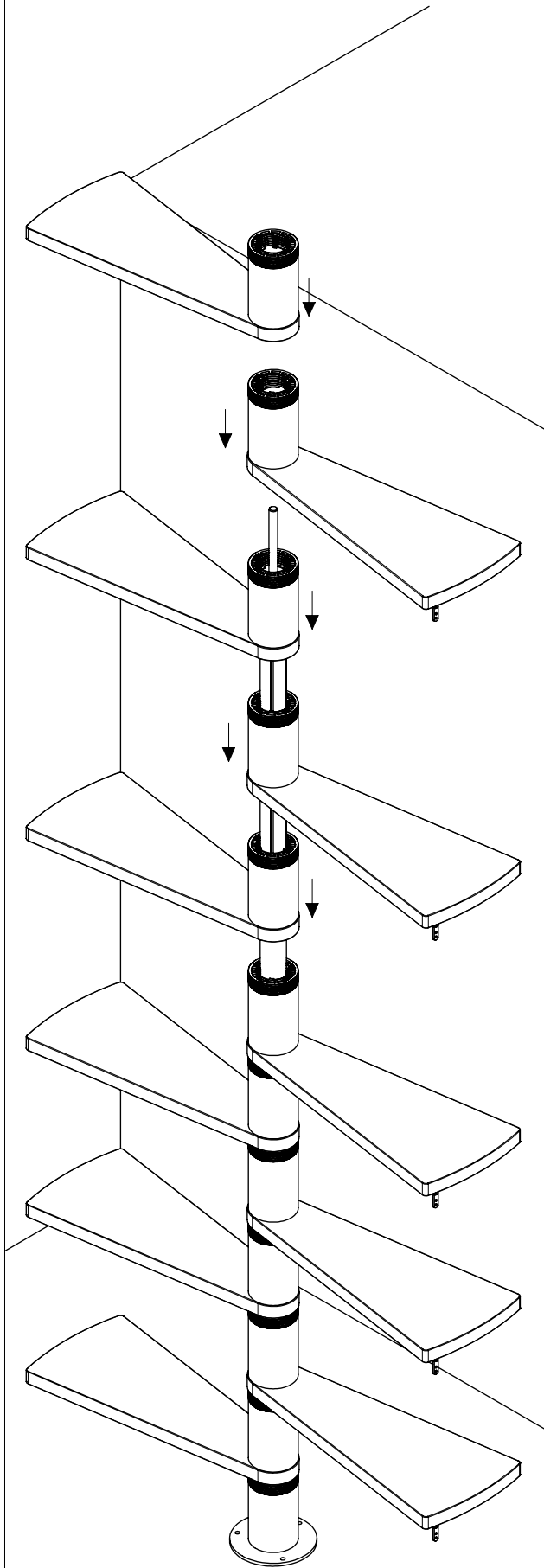


18

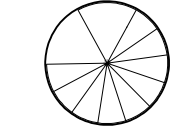
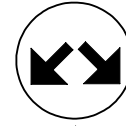




23

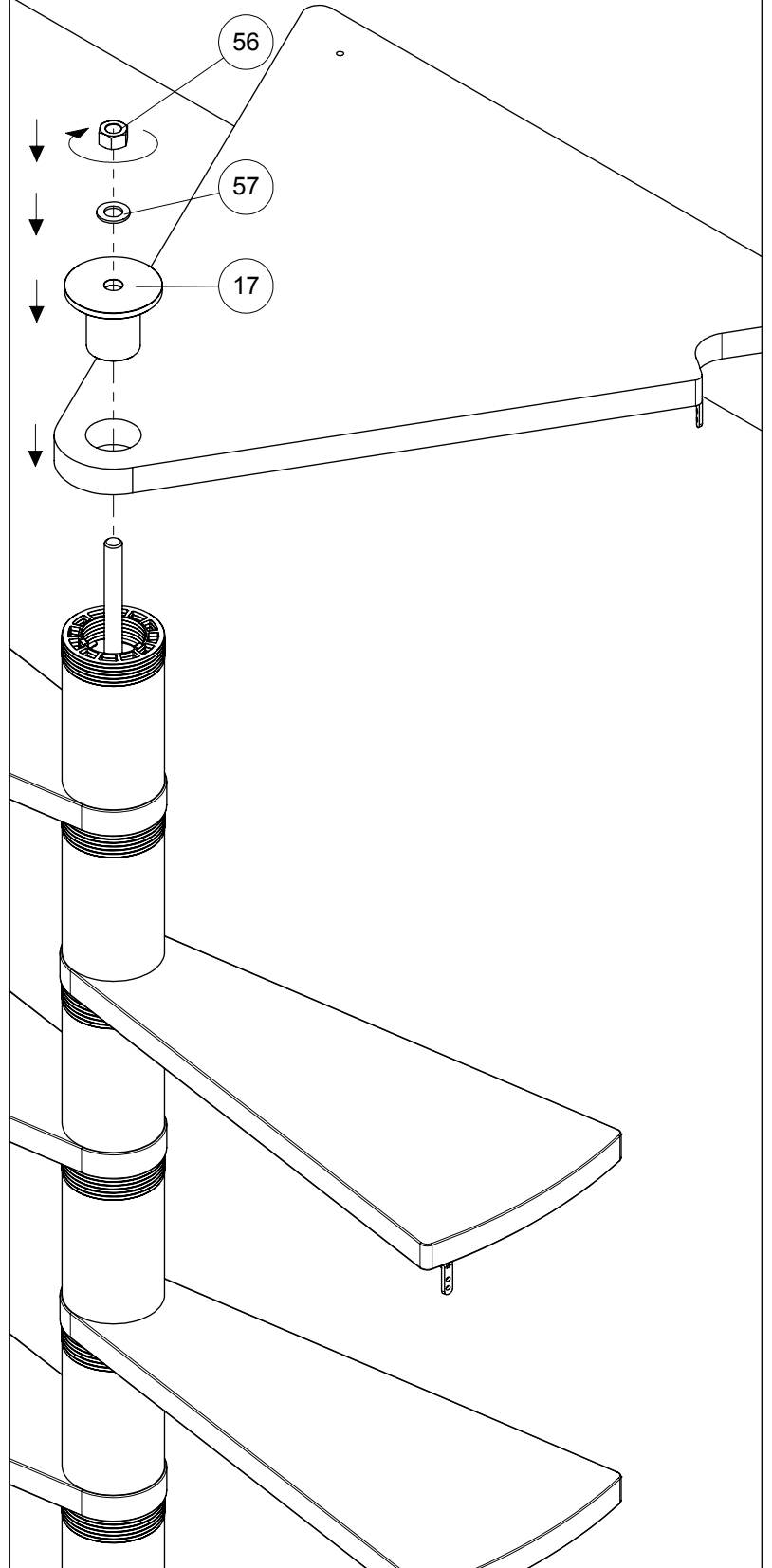


24 - 26b

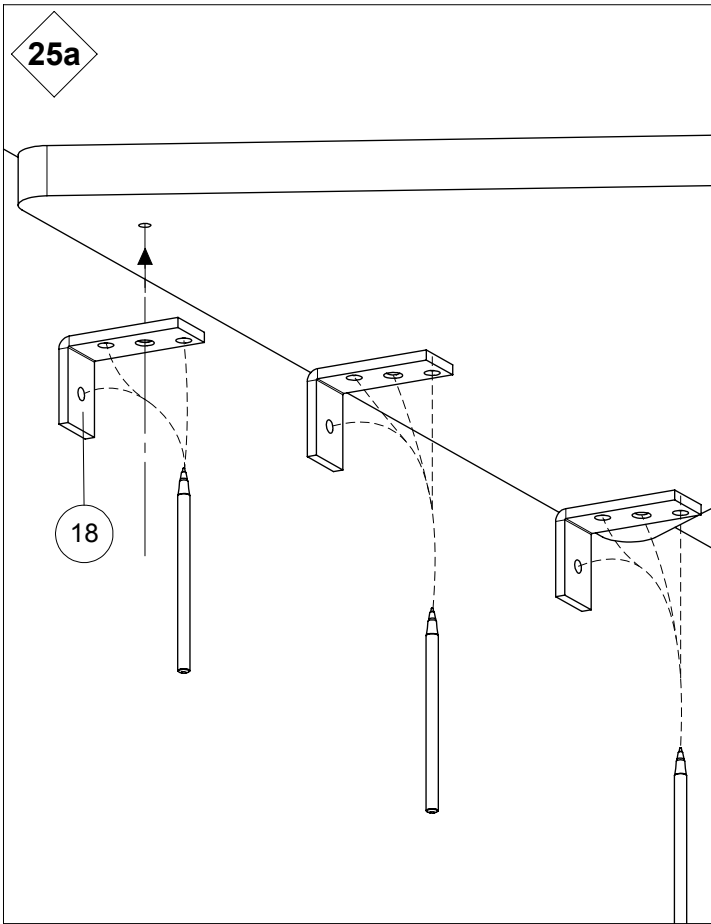


27a - 28b

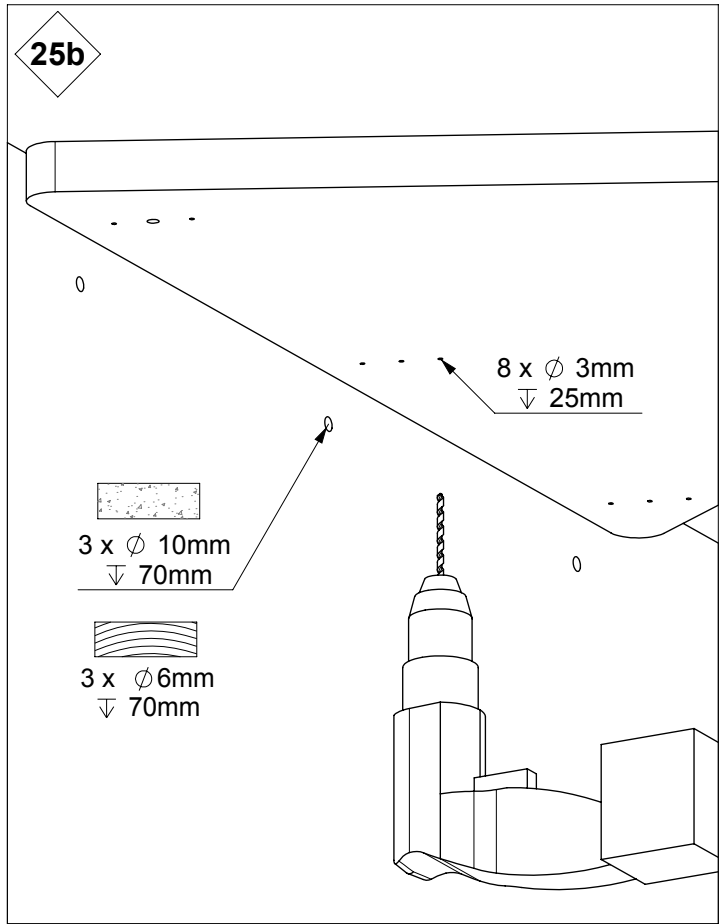
24



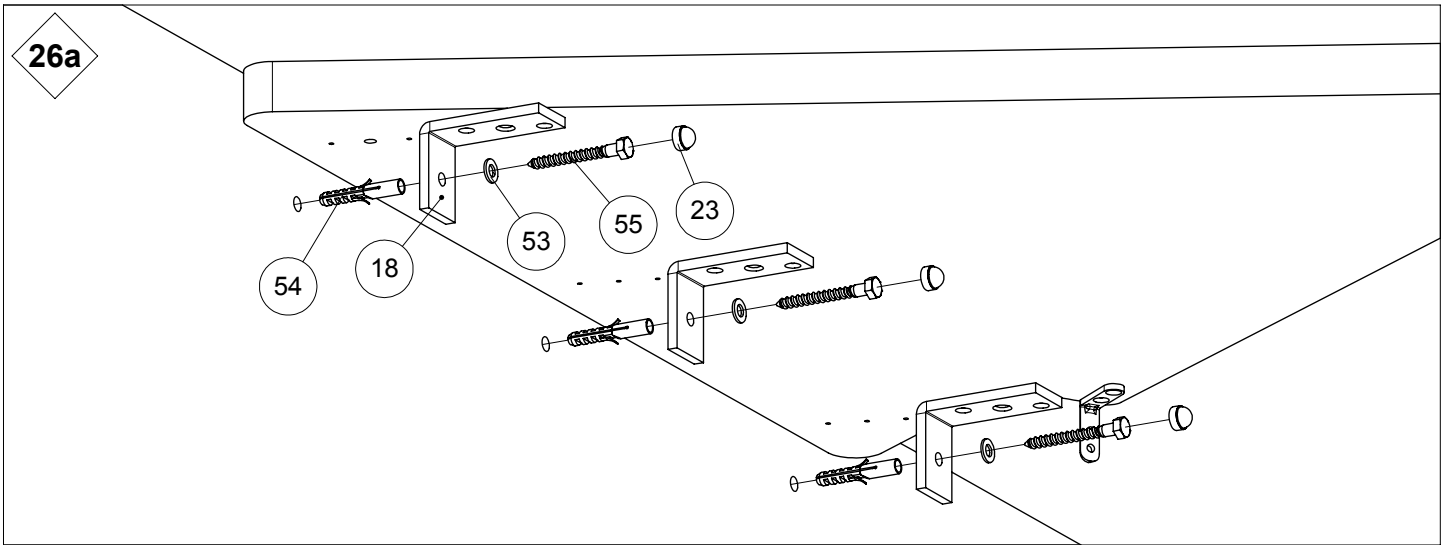
25a



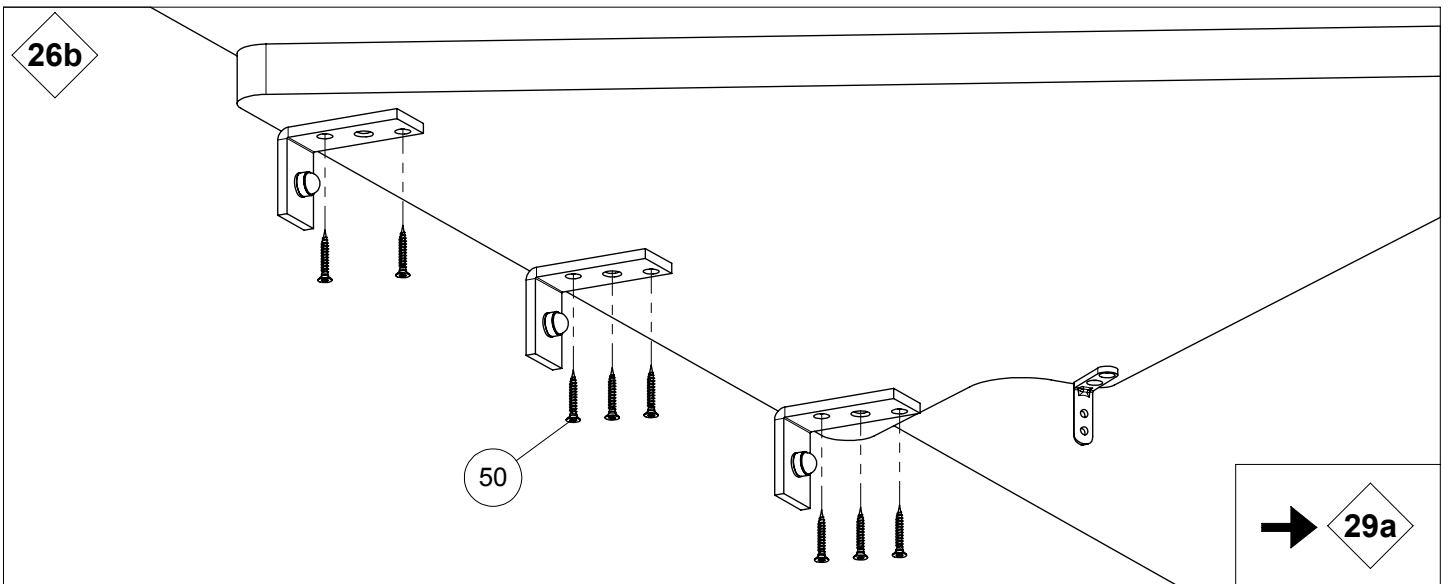
25b

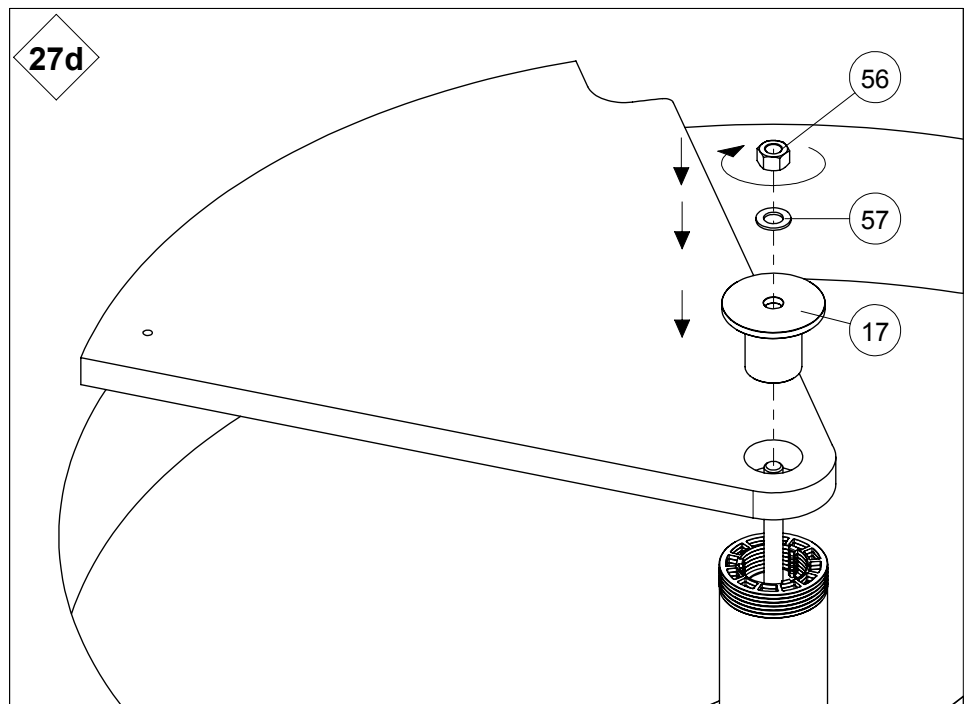
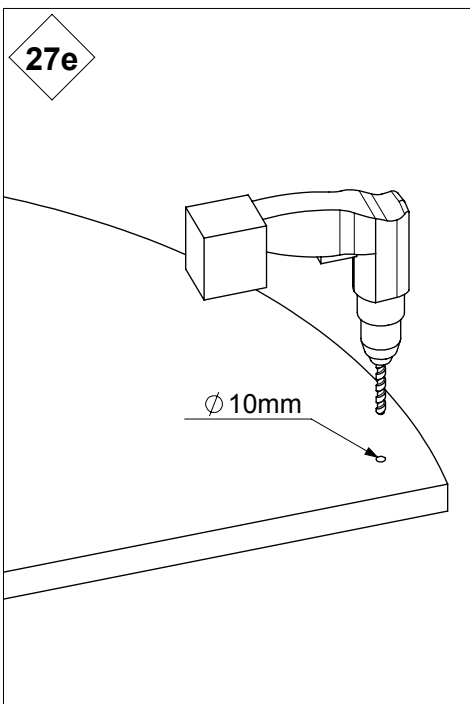
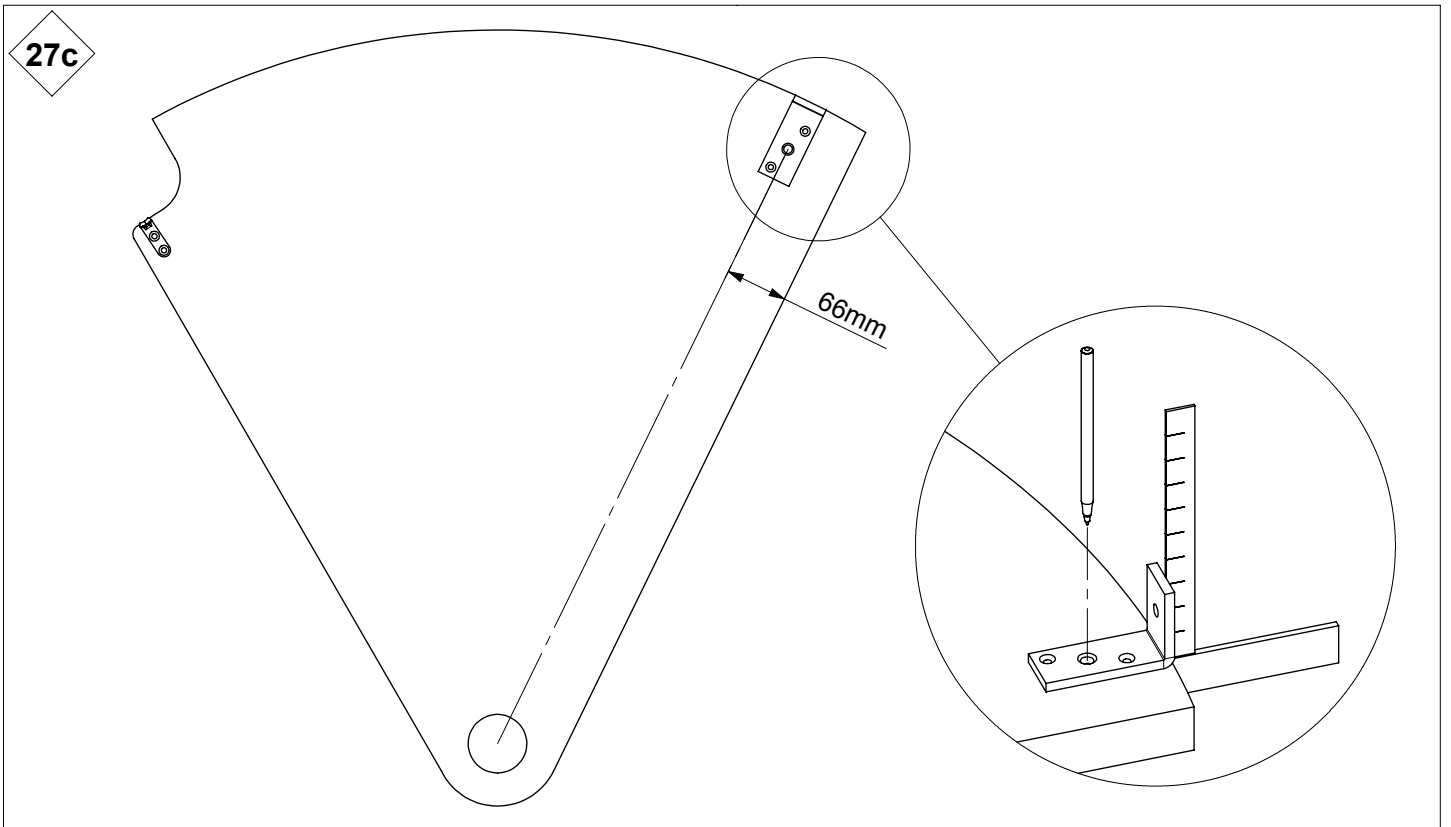
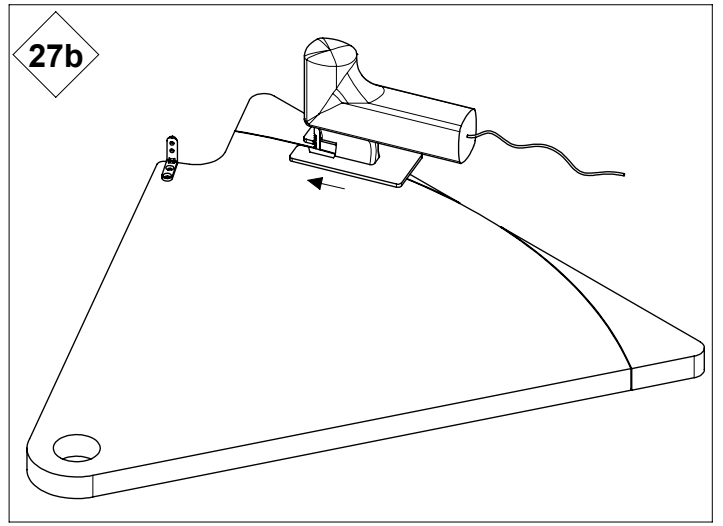
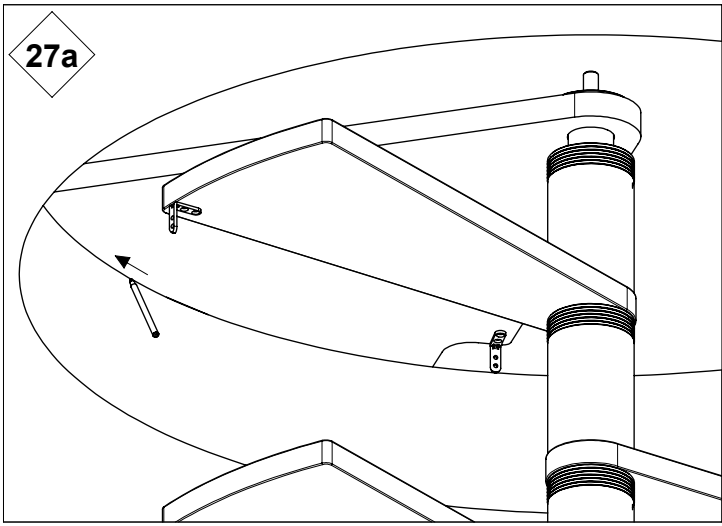


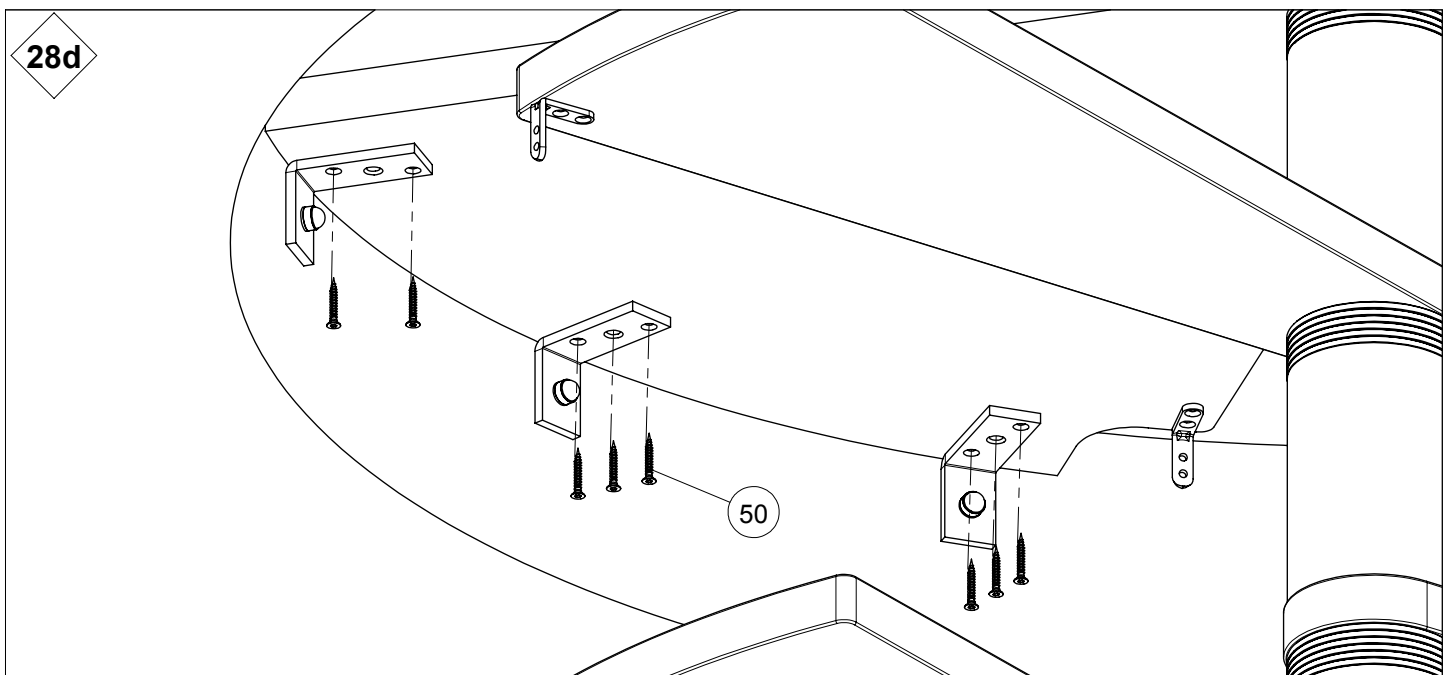
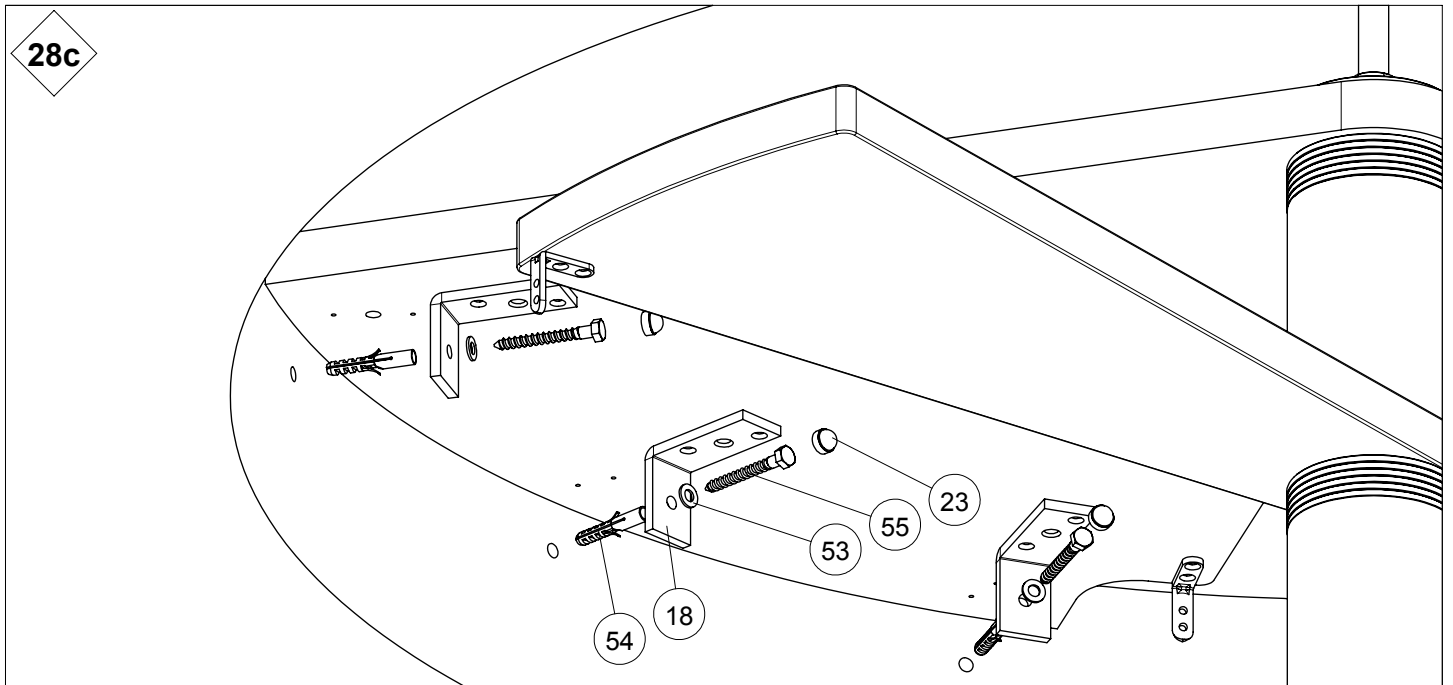
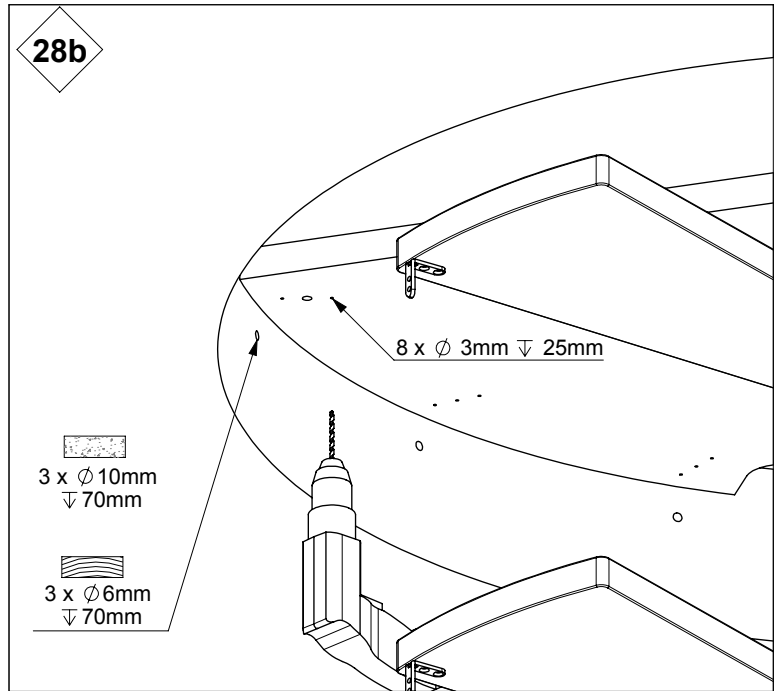
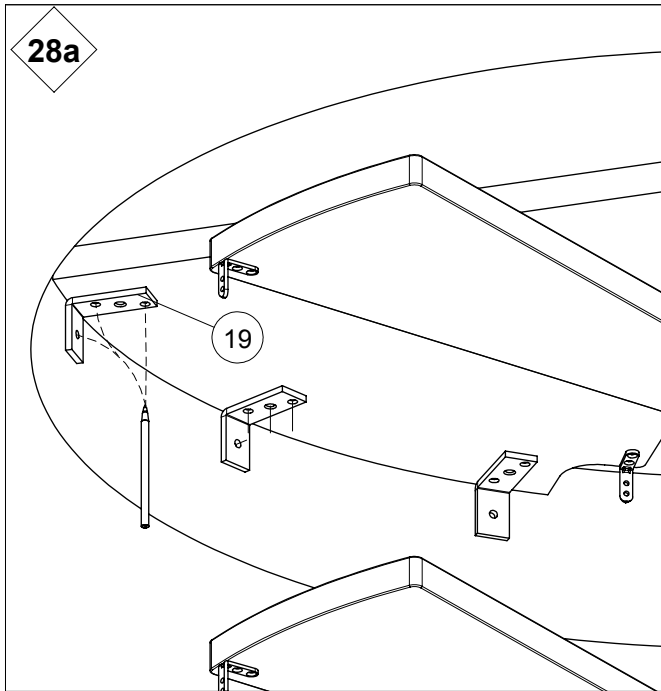
26a

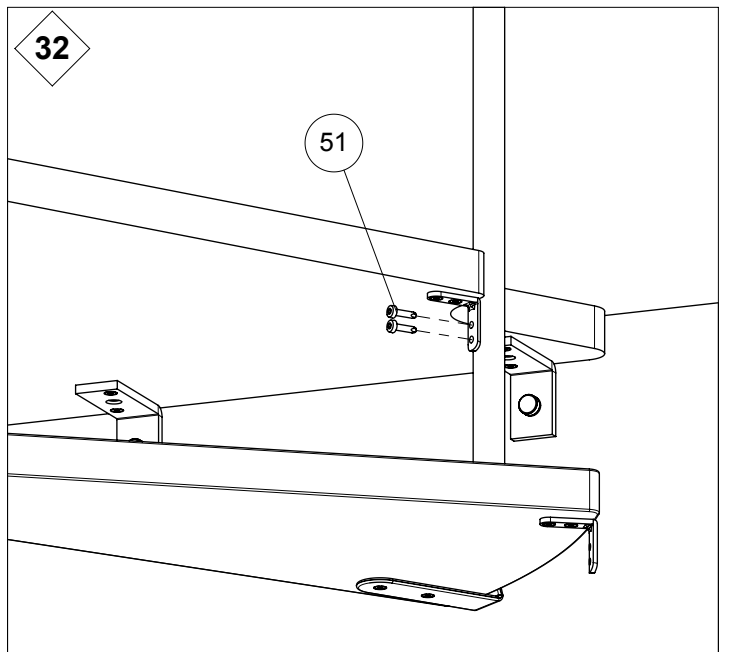
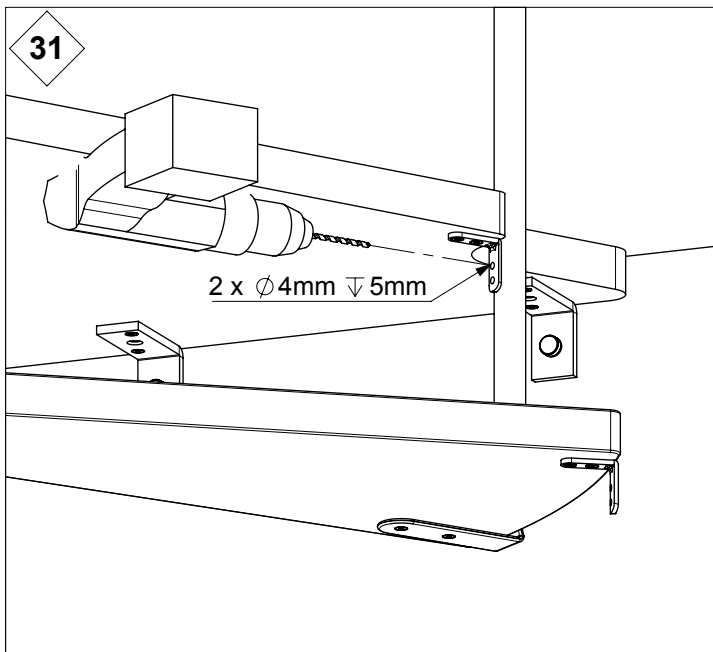
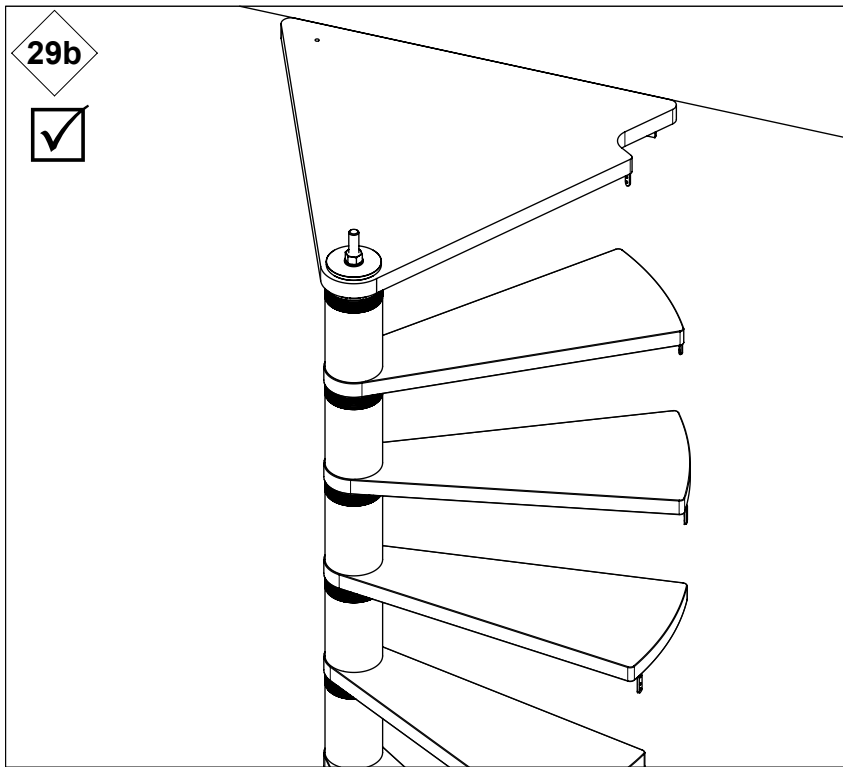
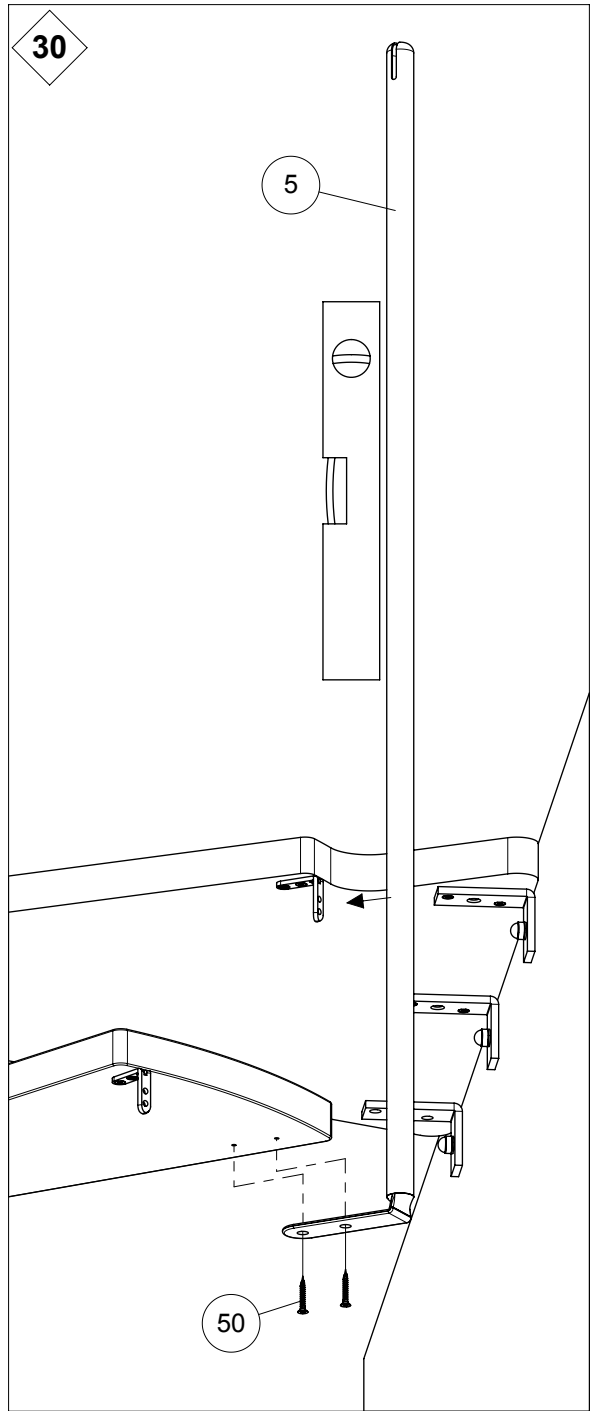
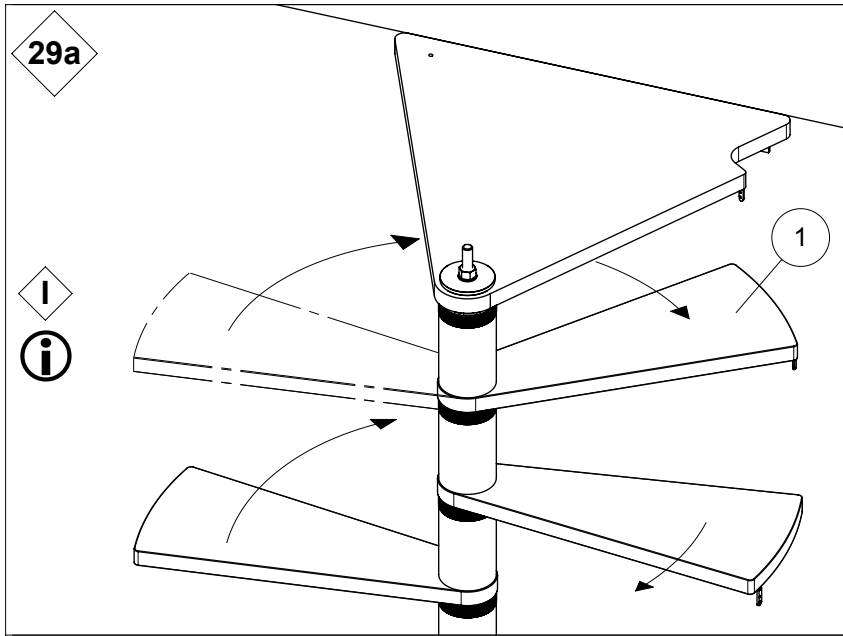


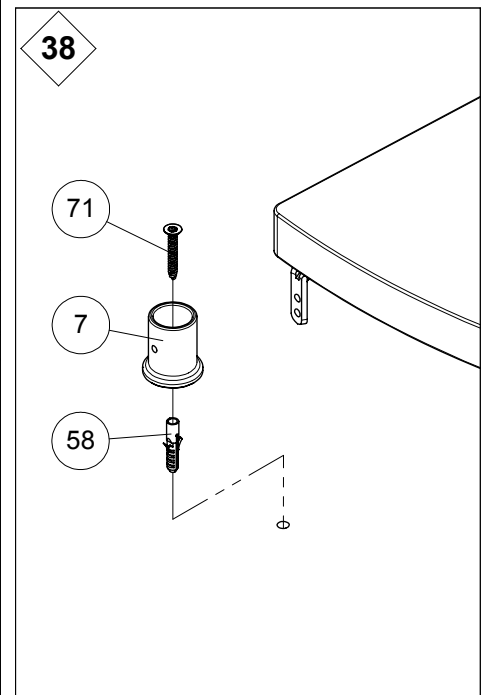
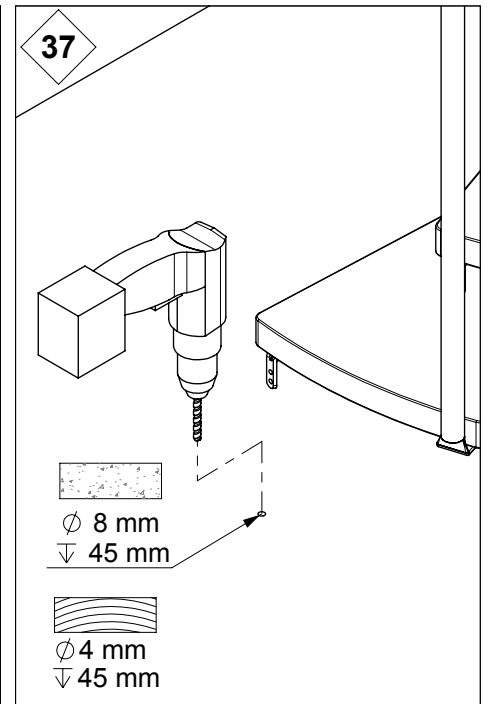
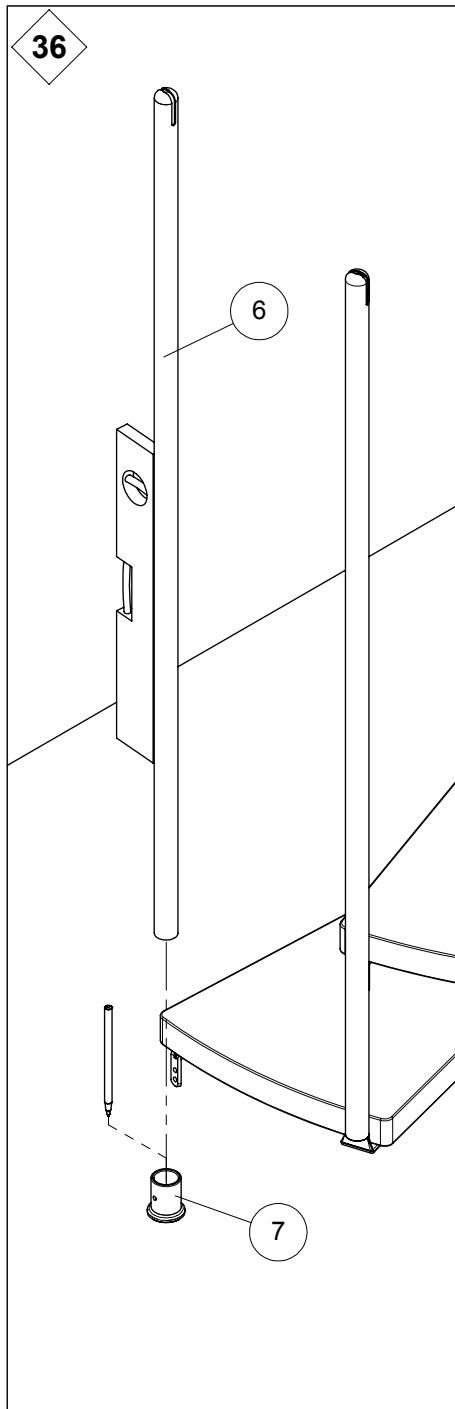
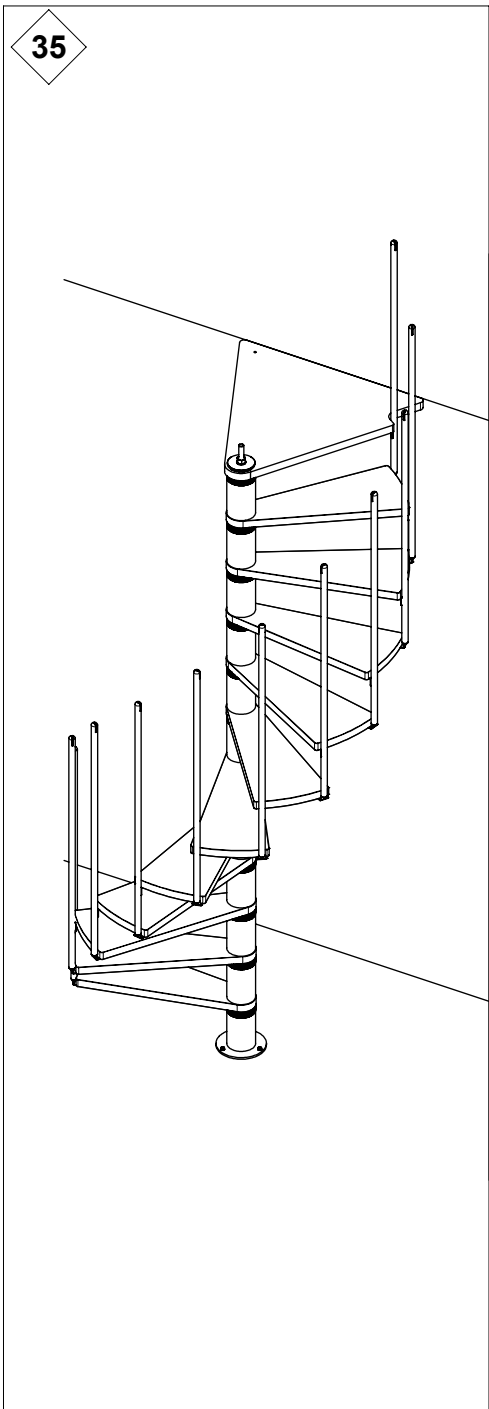
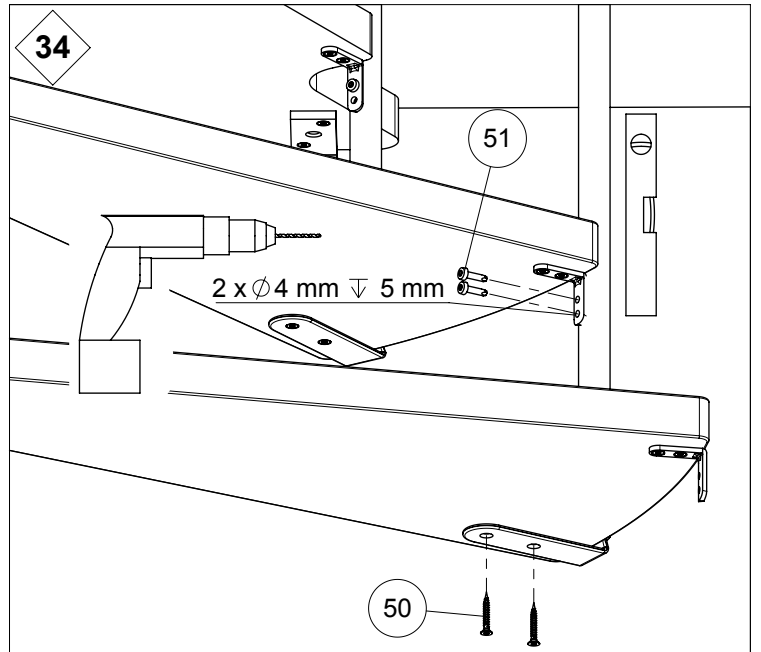
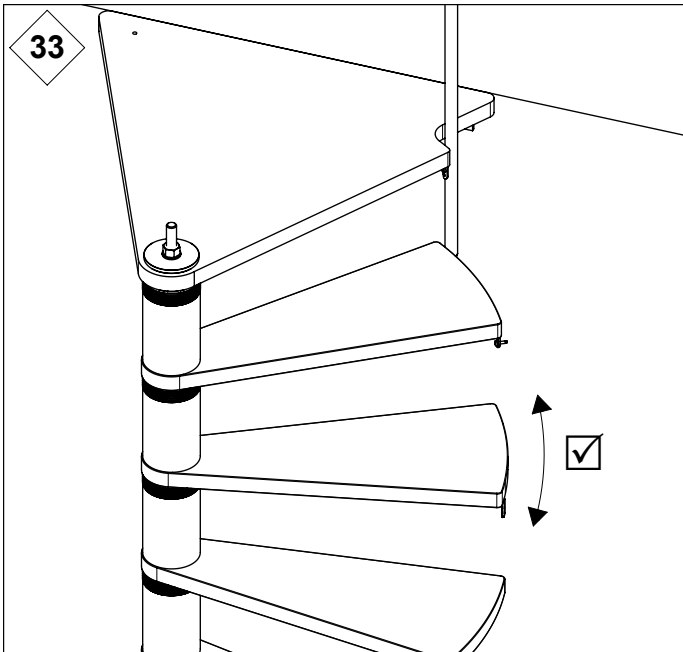
26b

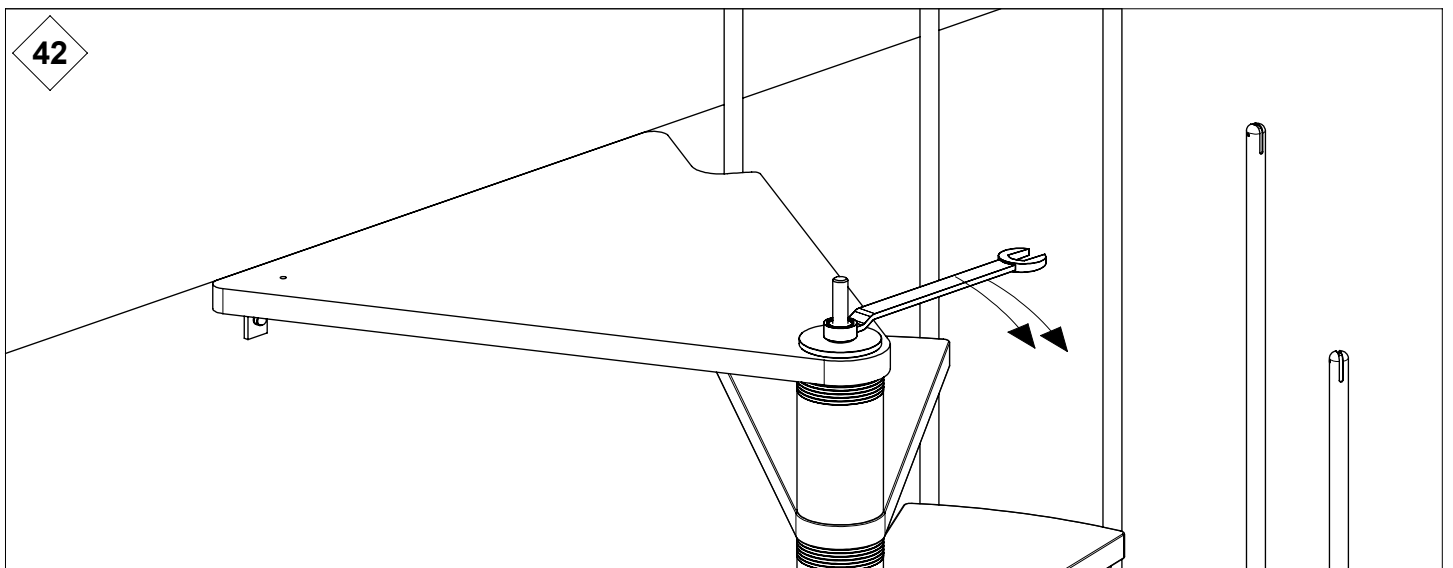
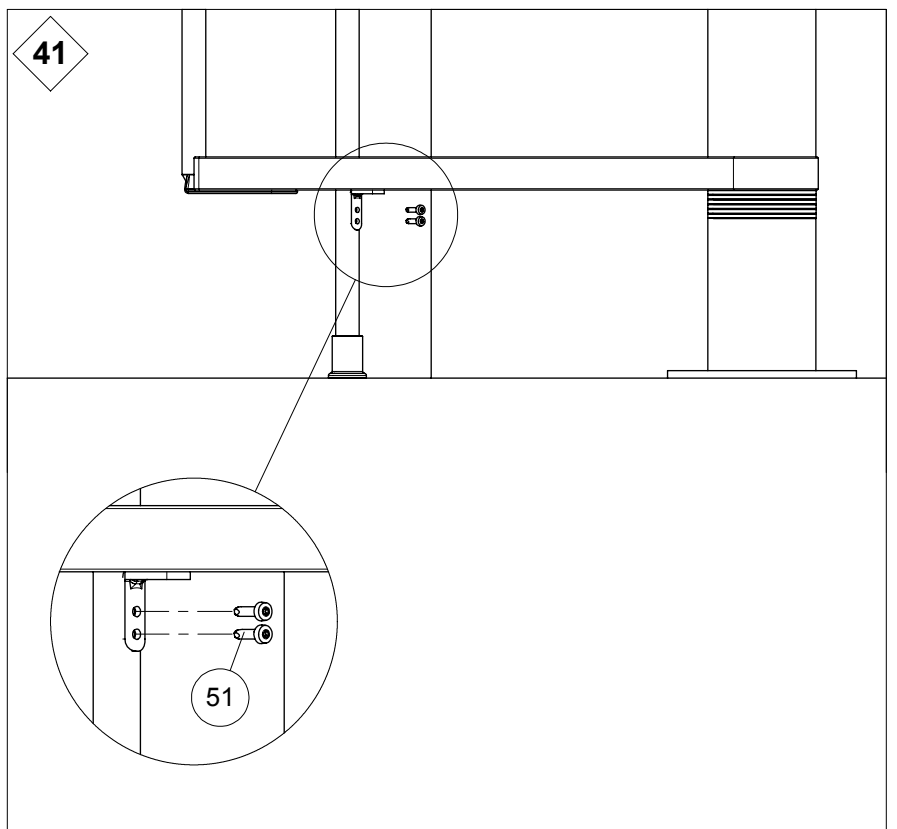
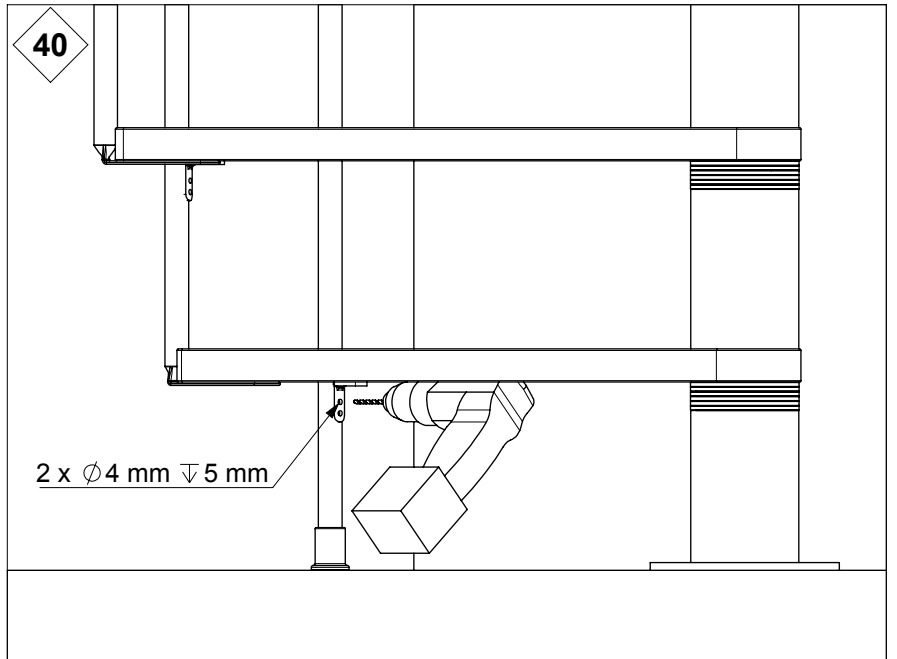
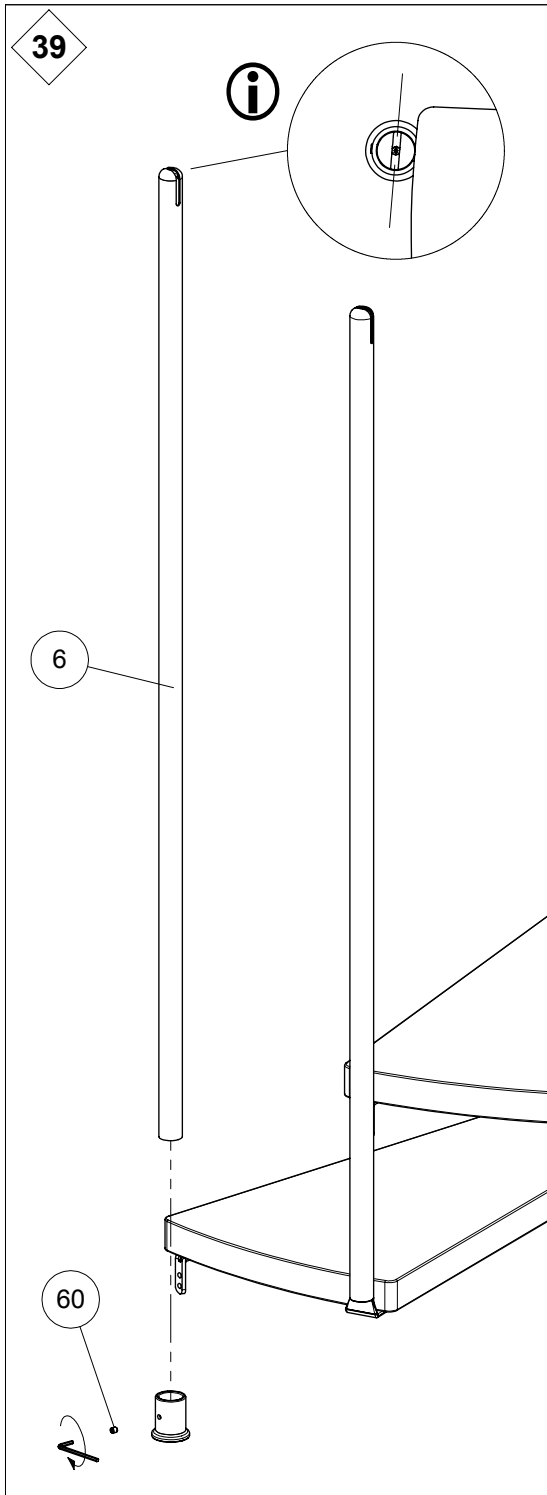


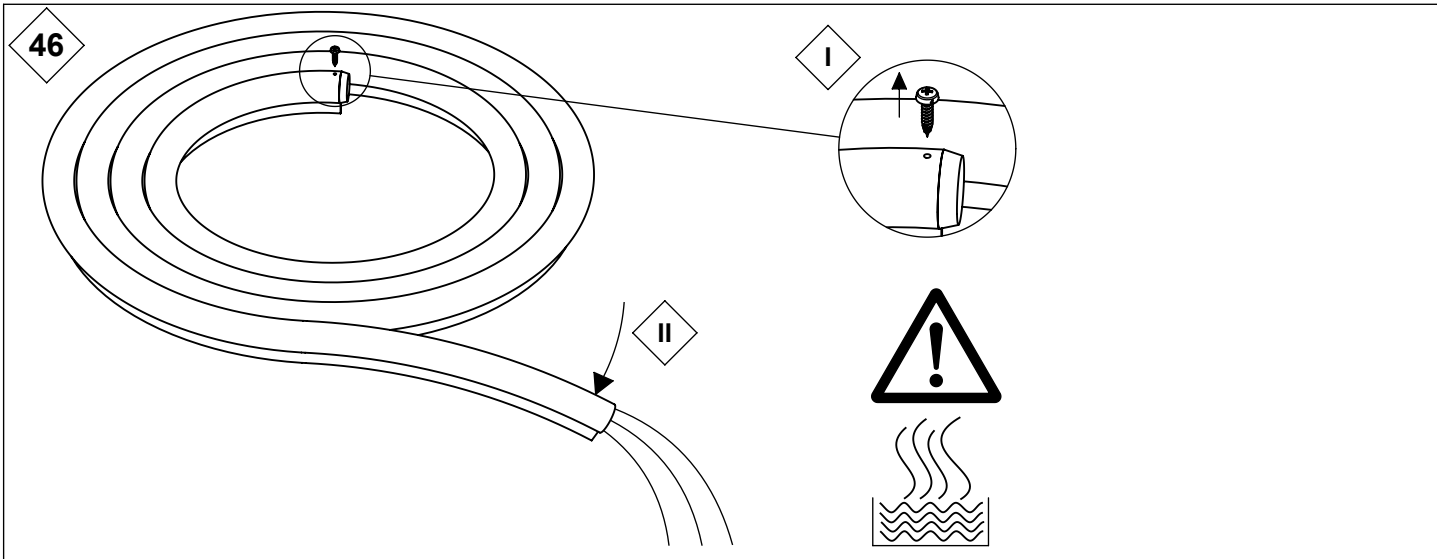
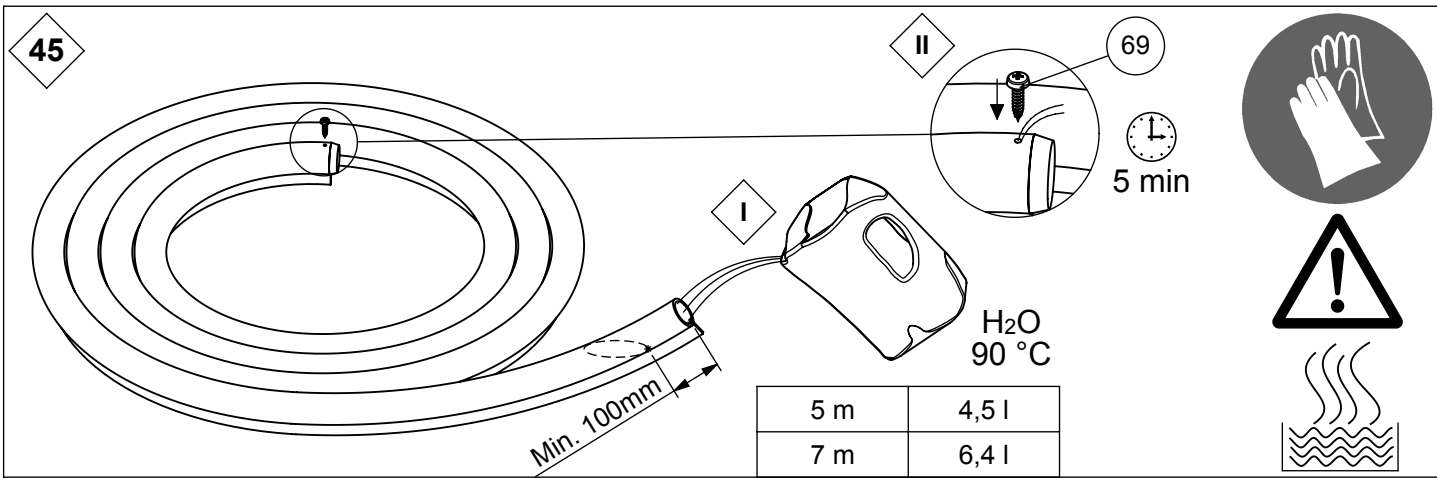
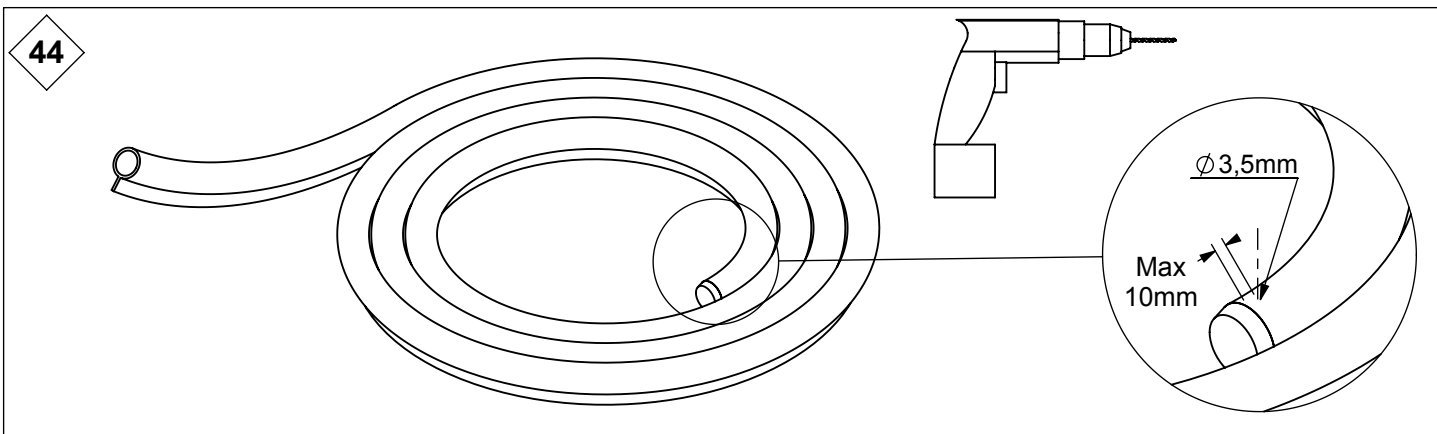
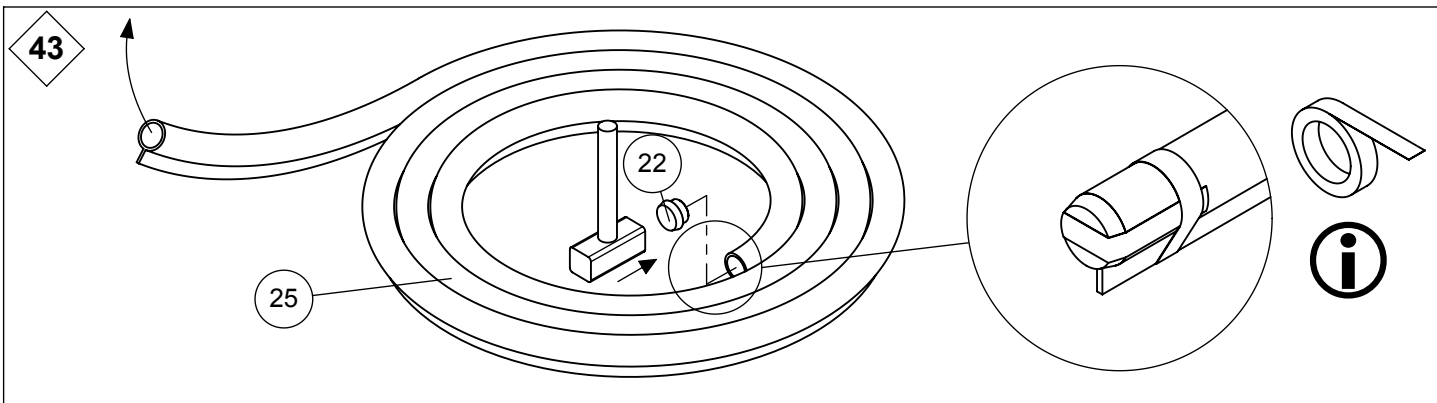
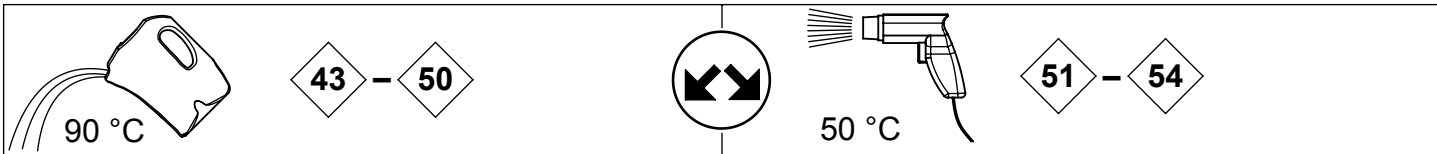


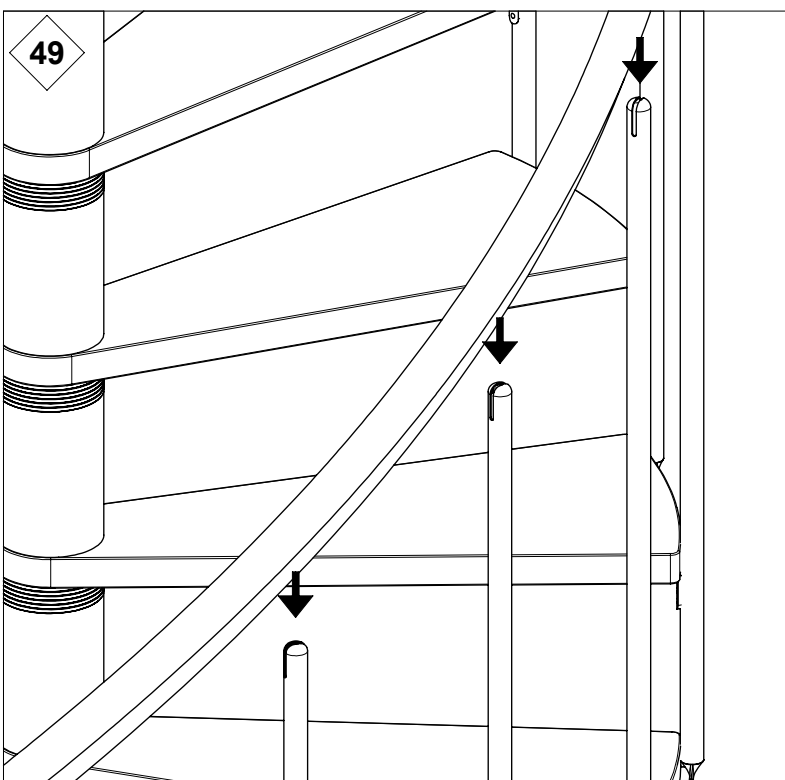
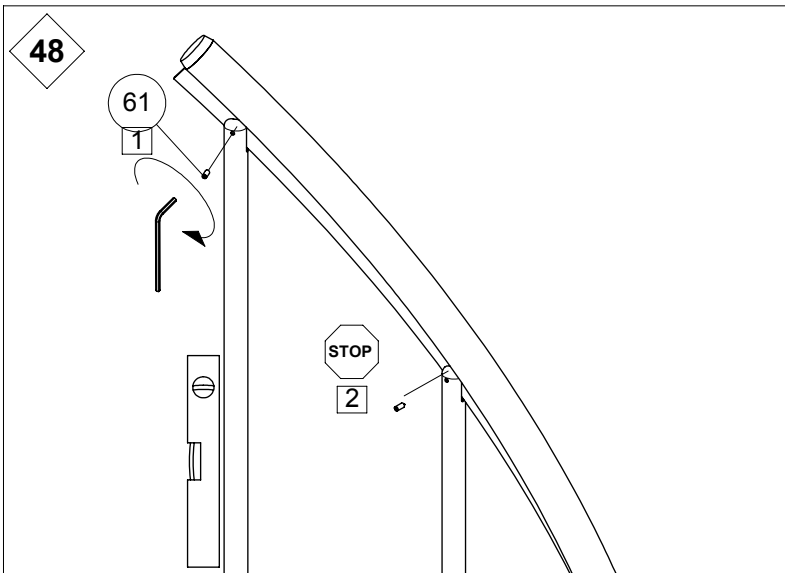
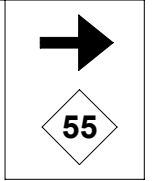
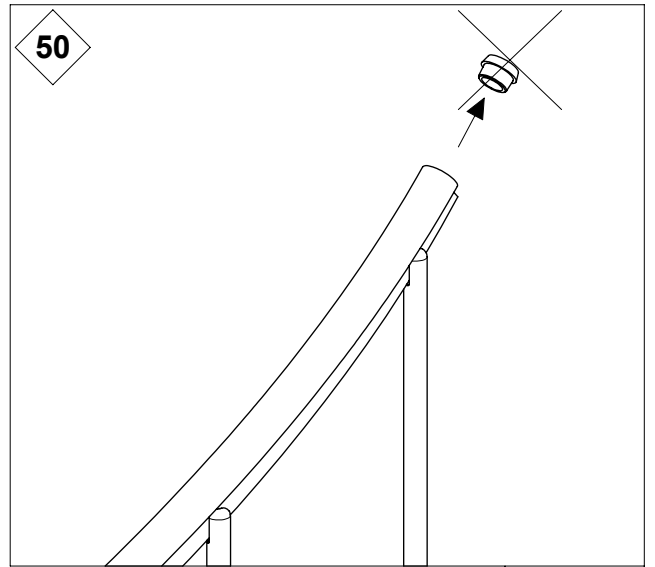
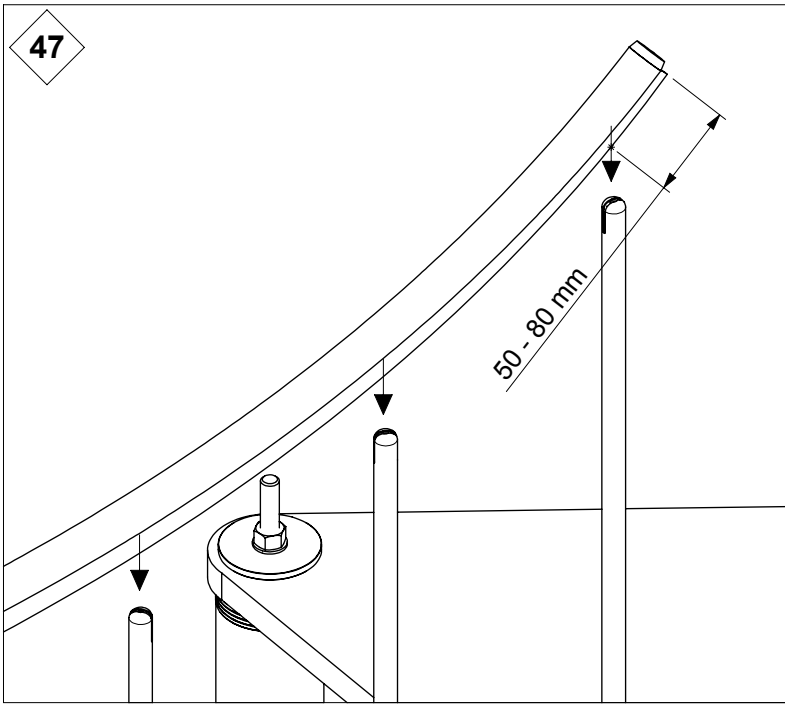


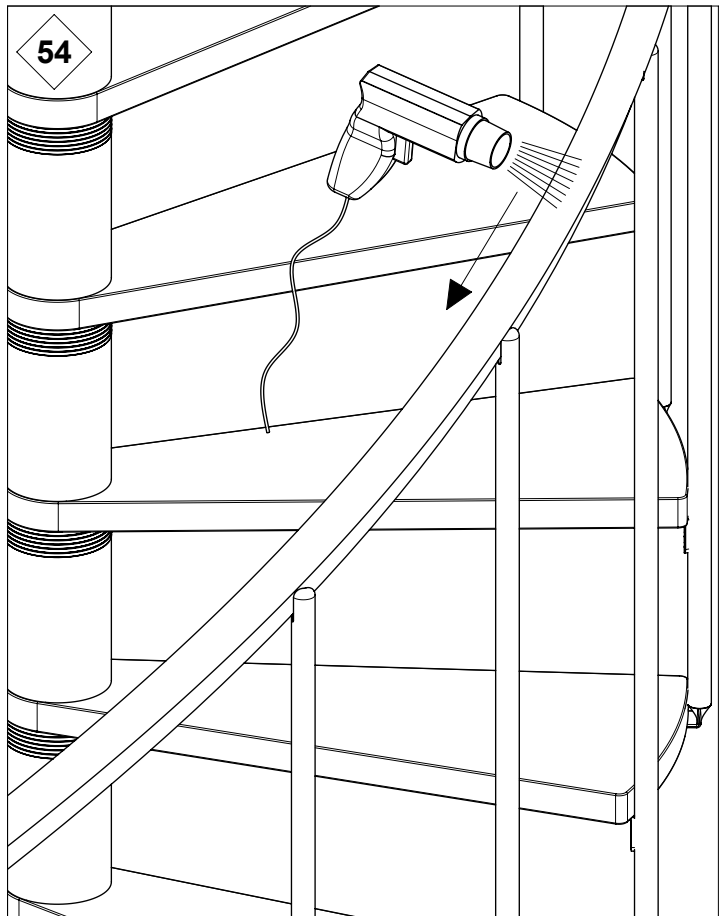
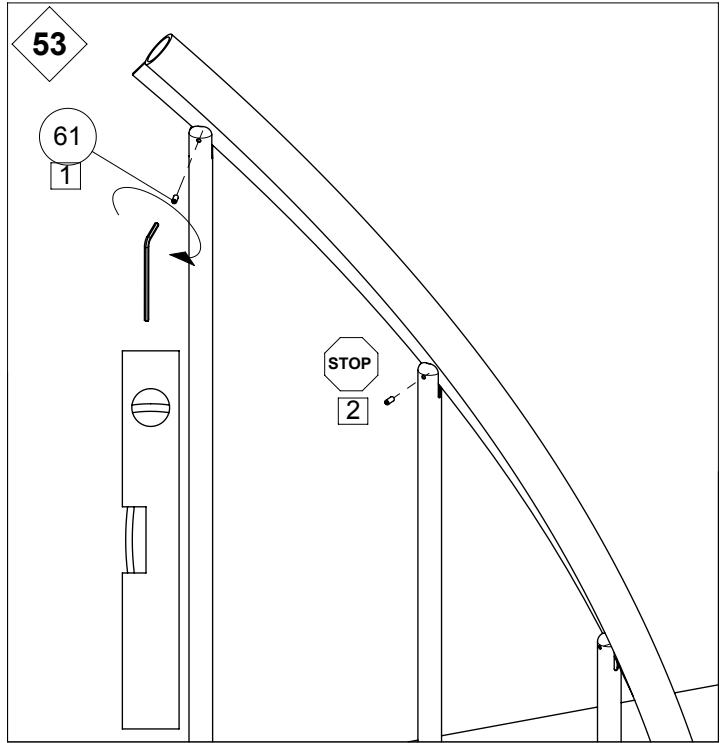
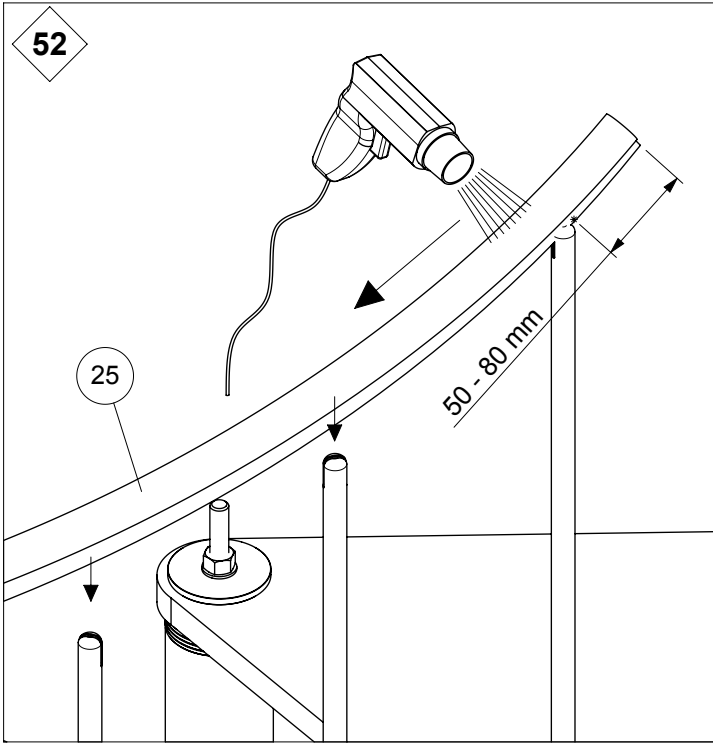
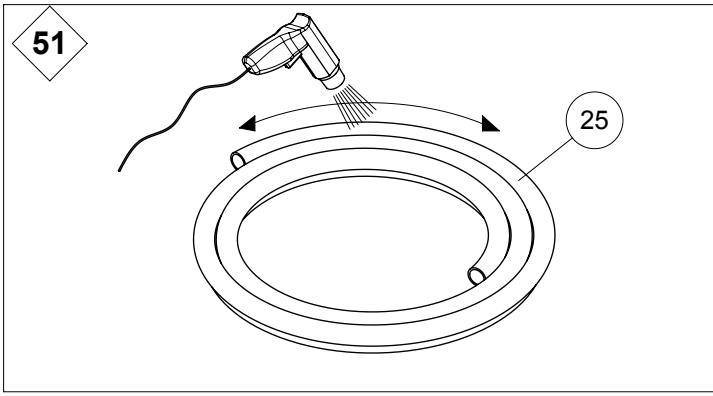


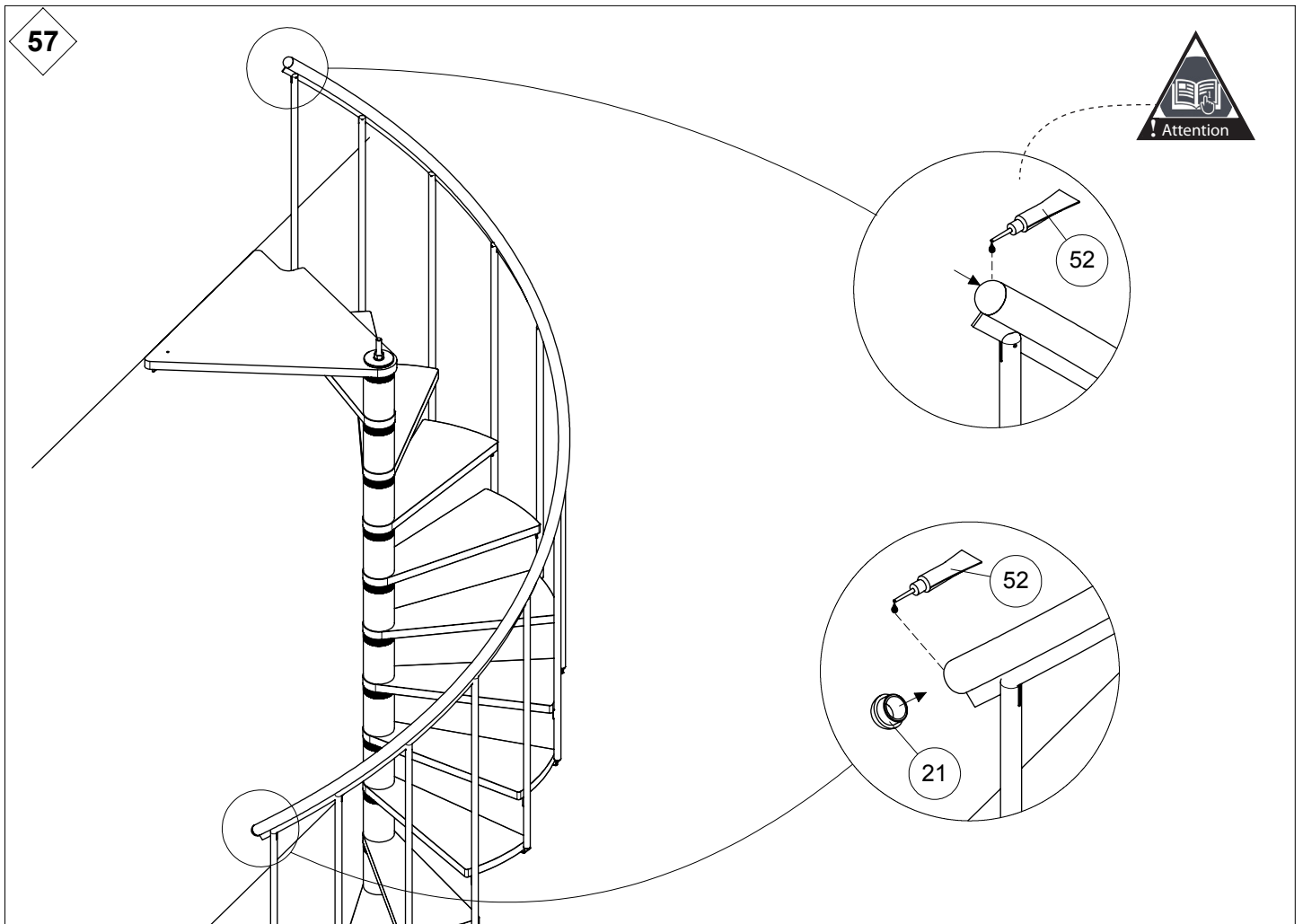
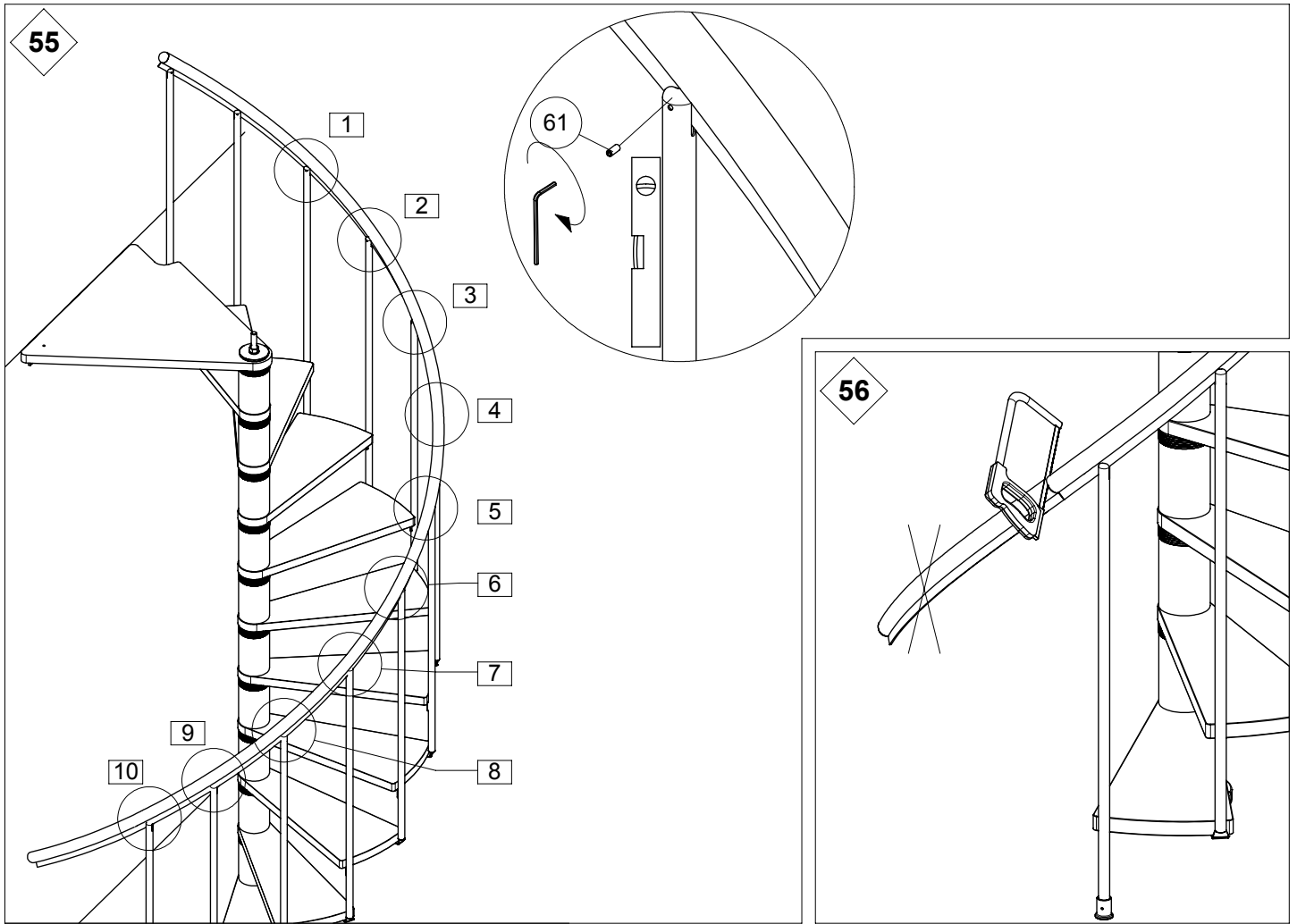


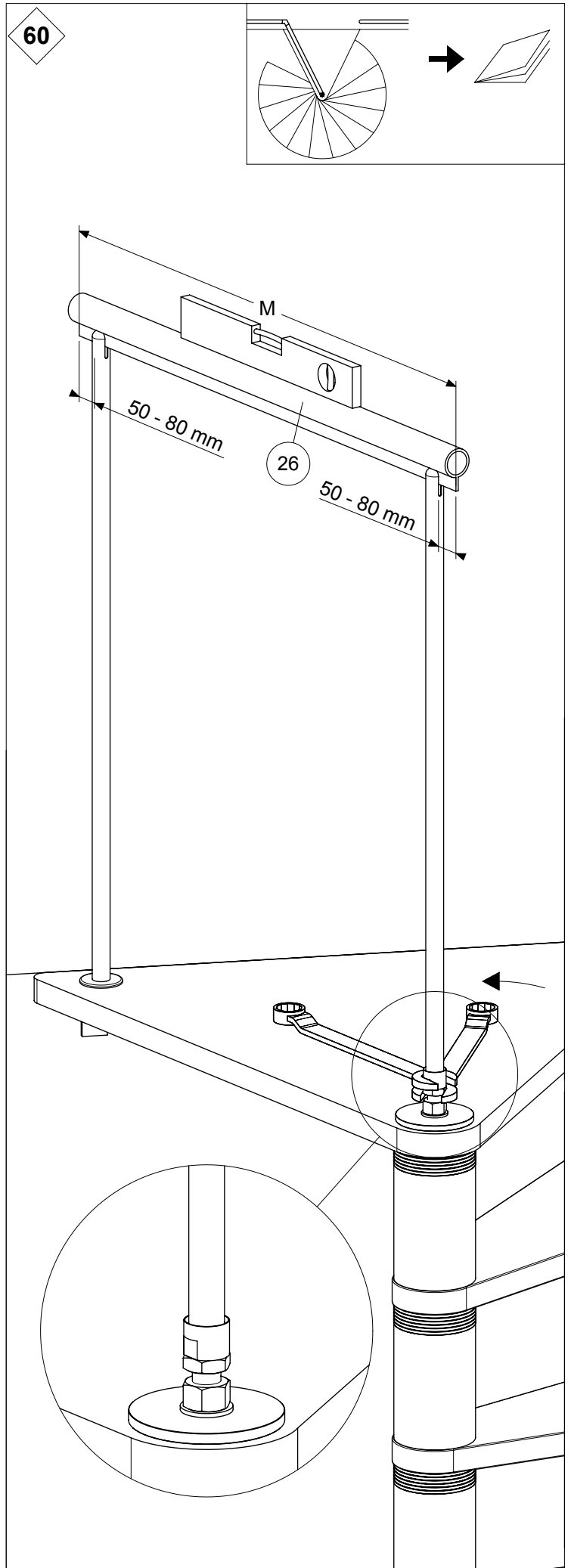
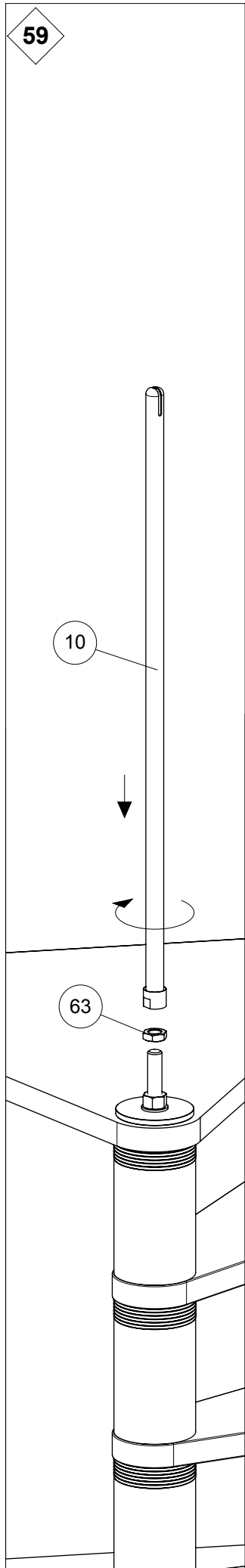
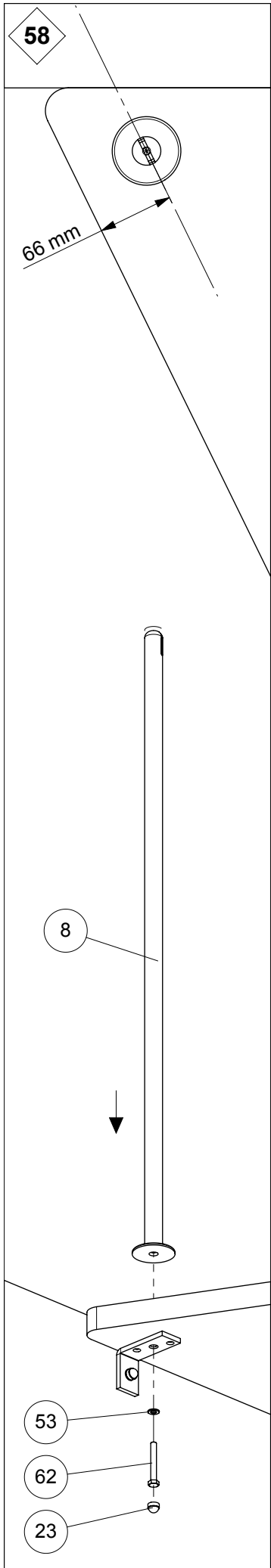


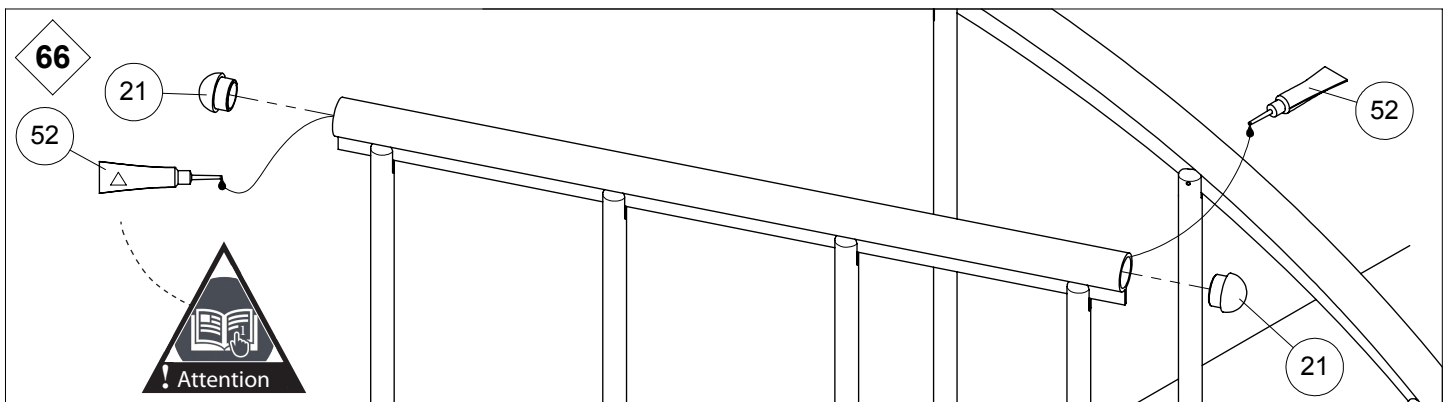
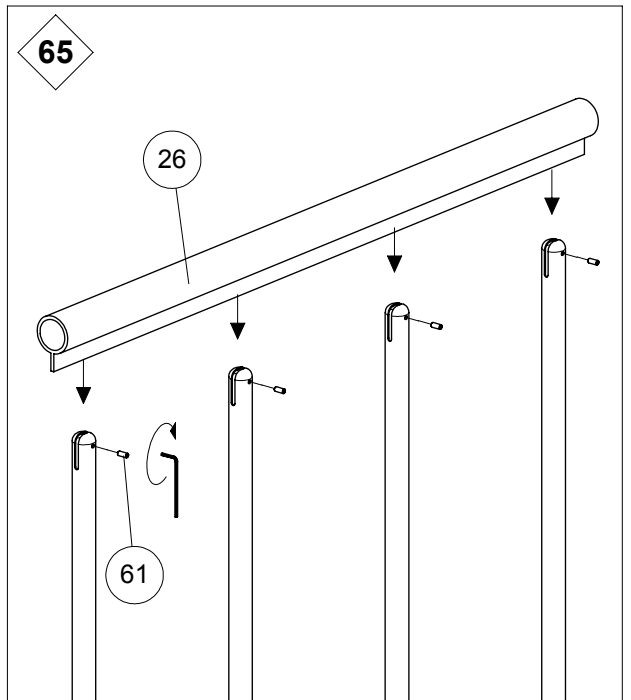
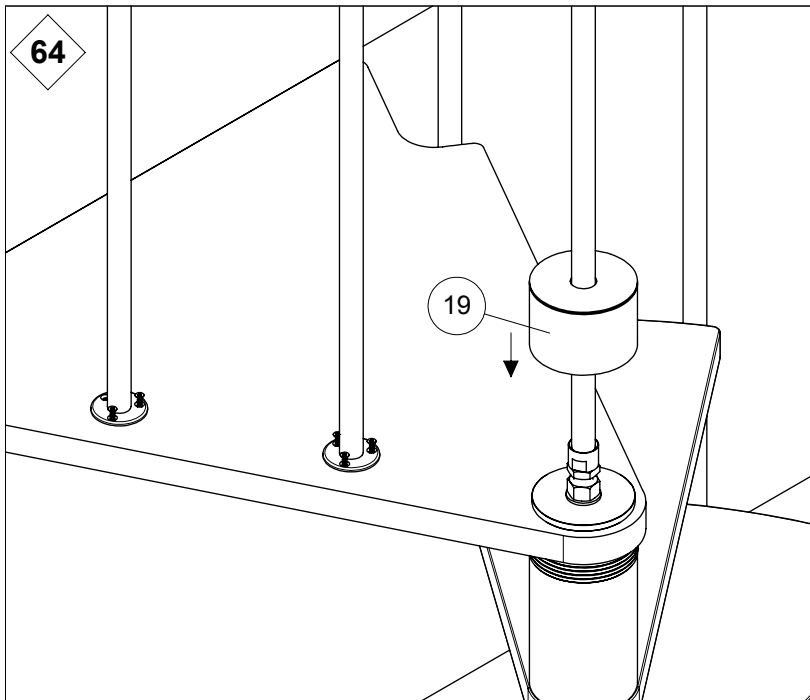
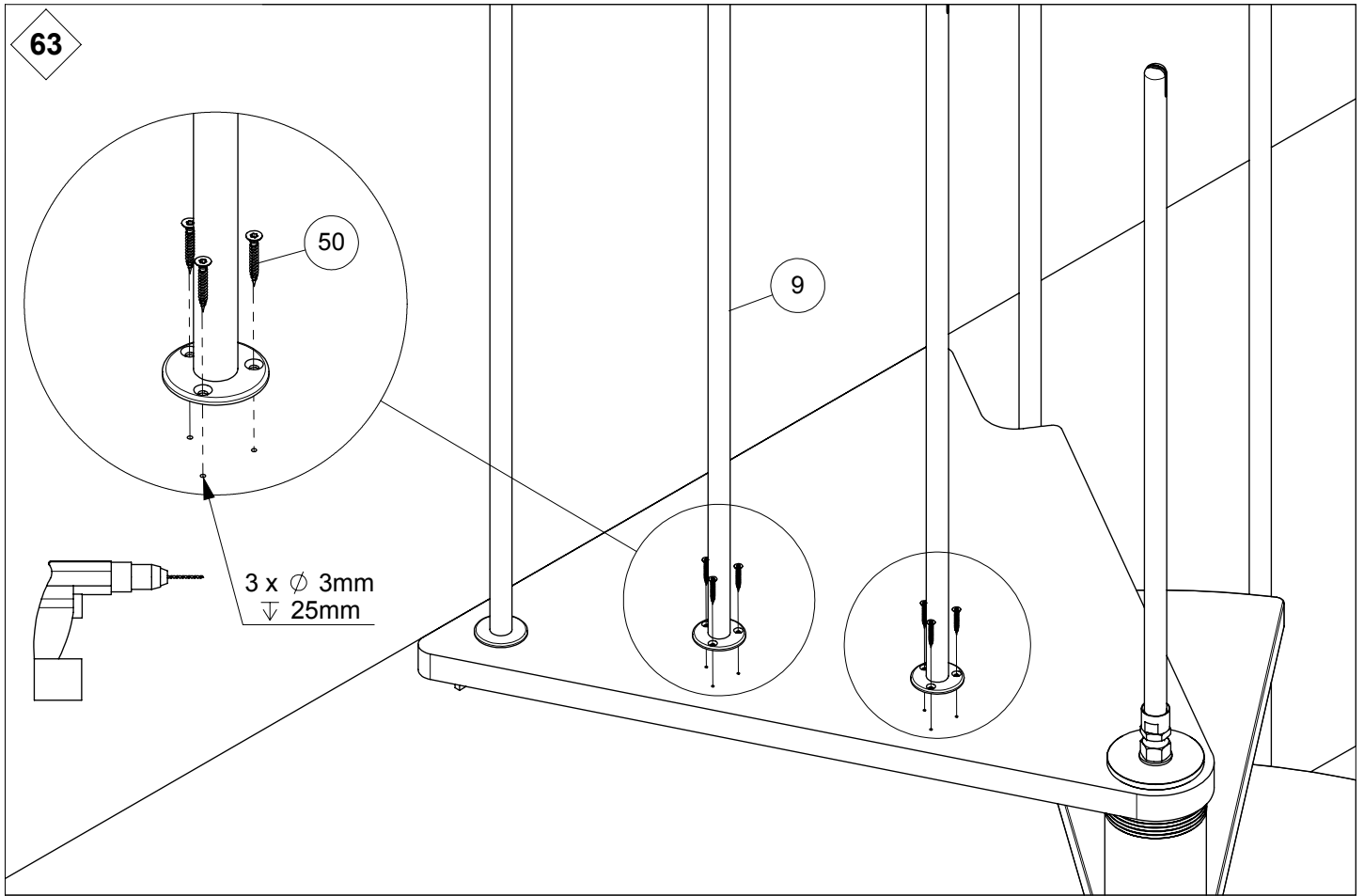


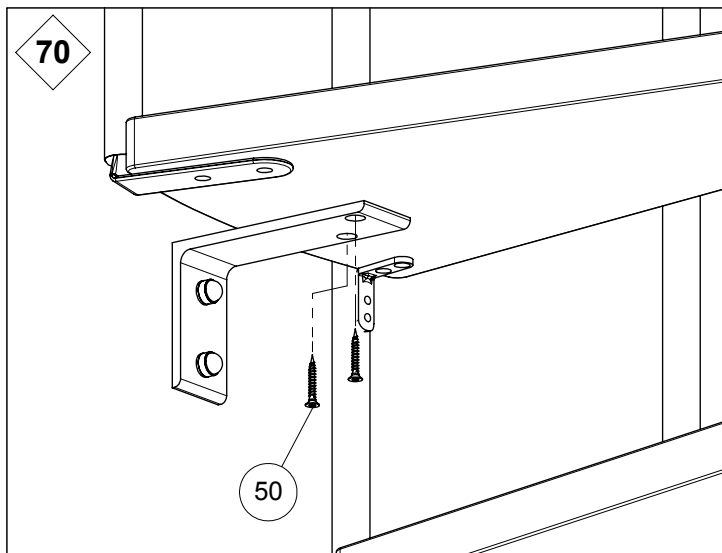
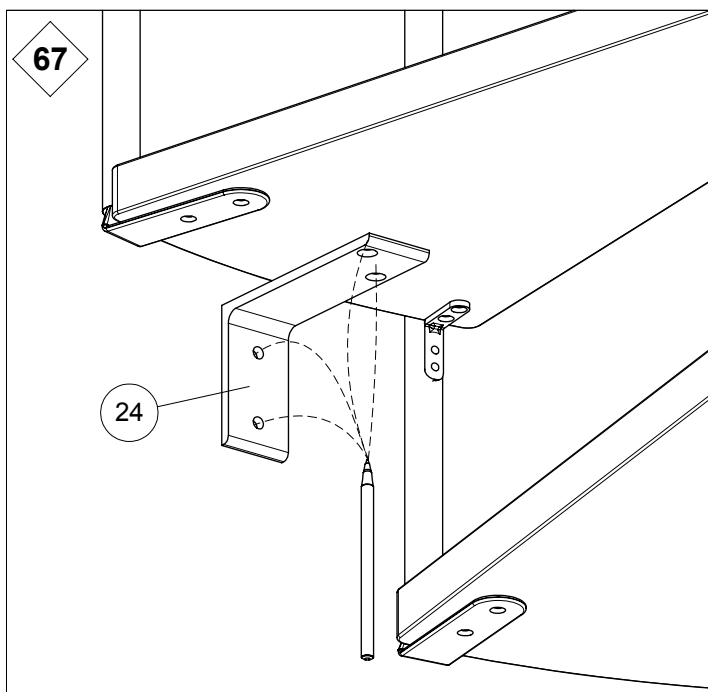
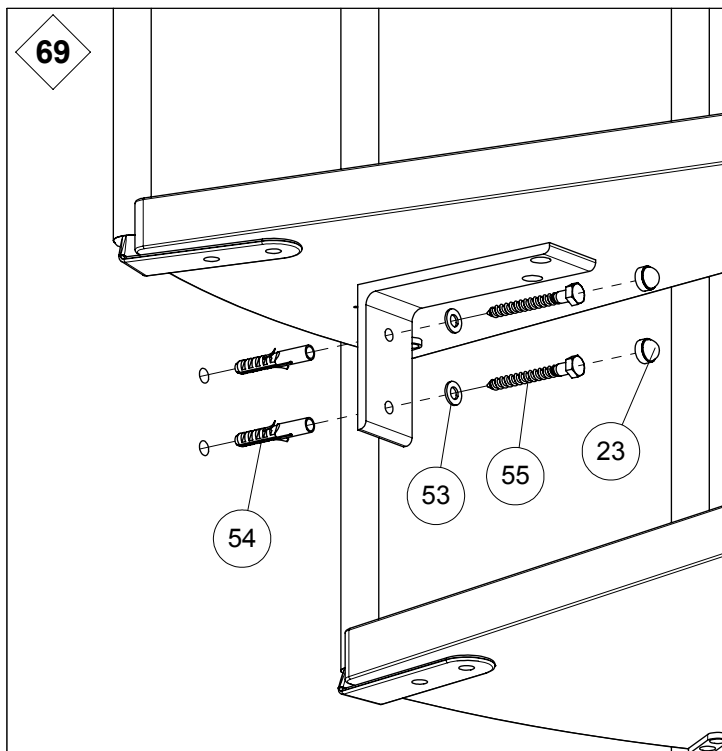
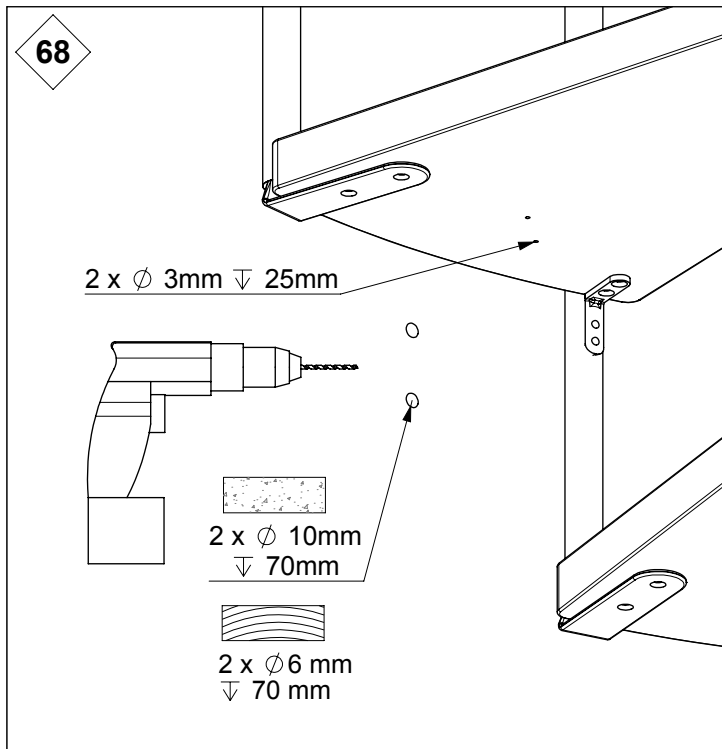
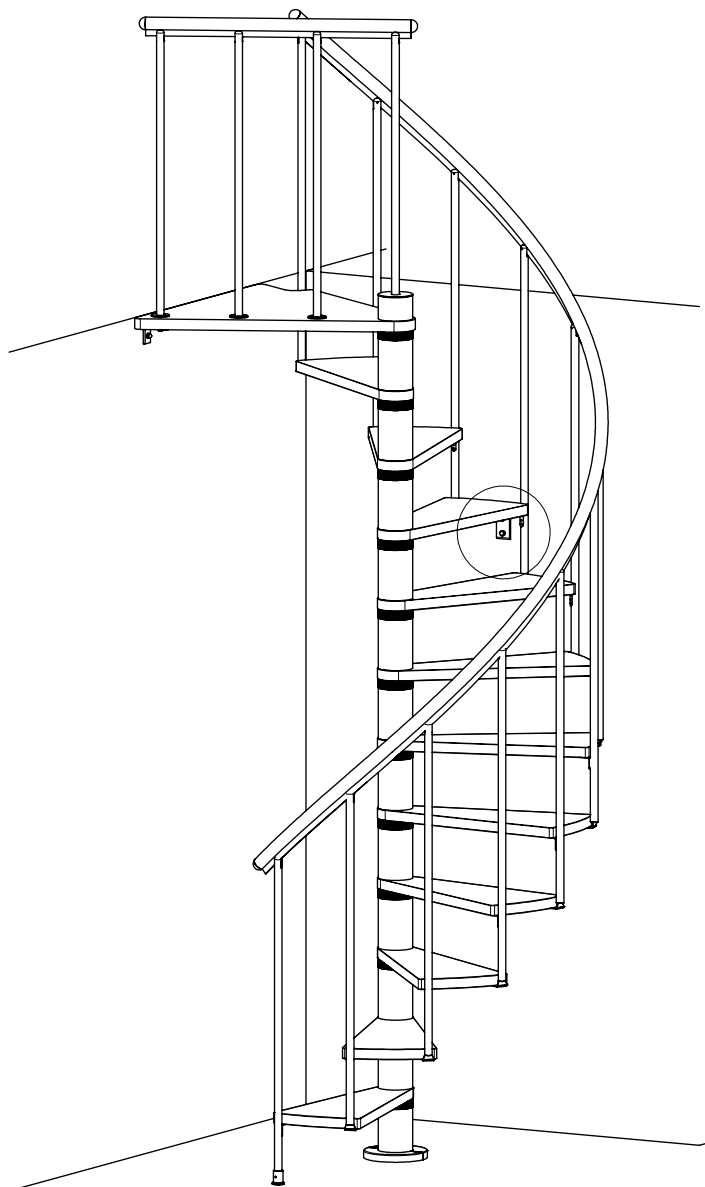












73

