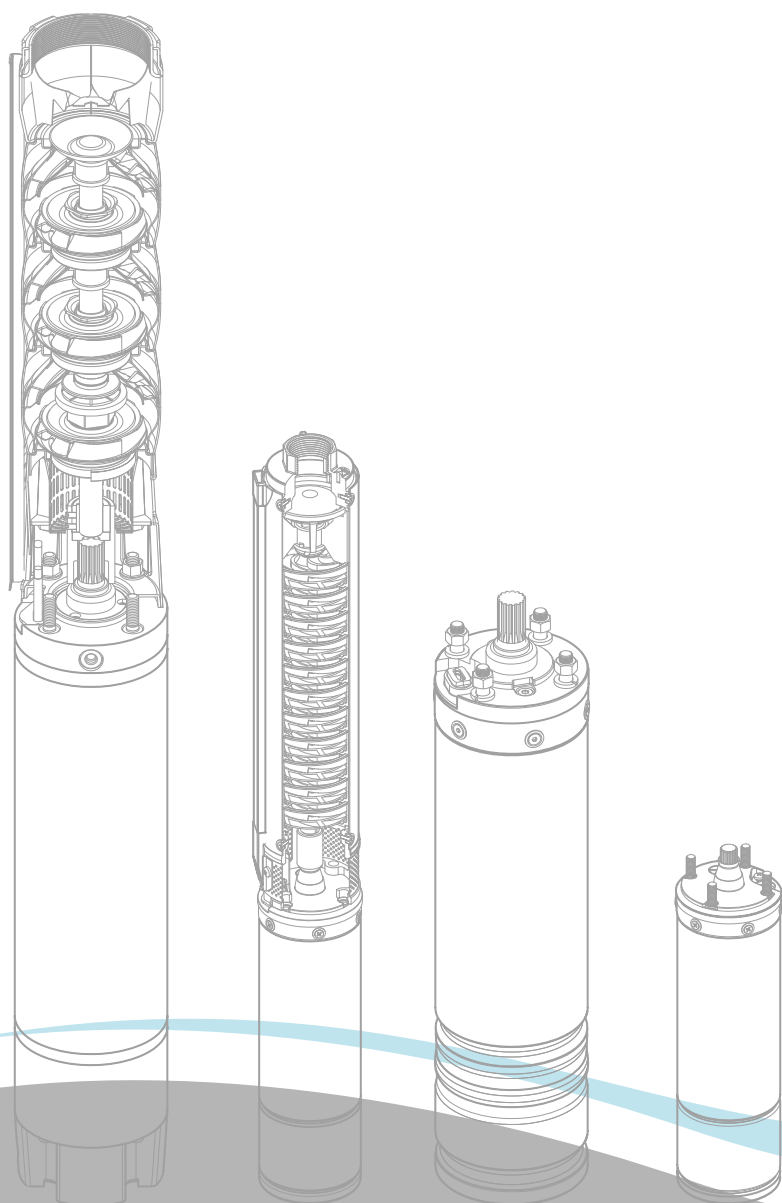


# Elettropompe Sommerse

*Submersed Electropump*

## Technical Catalogue

Catalogo Tecnico(50Hz)



**IRCEM**  
WATER PUMPS

## DL-BM SERIES 3" SUBMERSIBLE ELECTRIC PUMPS

**\*COST-EFFECTIVE VERSION**



- Cost-effective submersible electric pumps ensure low cost, high efficiency, better performance and reliability.

### APPLICATIONS

- Water supply from deep well.
- Agricultural irrigation.
- Pressure boosting.
- Industrial application.

### SPECIFICATIONS

- Delivery: up to 4,2 m<sup>3</sup>/h at 2850 rpm.
- Head: up to 140 m at 2850 rpm.
- Maximum pump overall diameter (cable cover included): 80 mm.
- Maximum permissible quantity of sand: 150 g/m<sup>3</sup>.
- Delivery port Rp1" , Rp 1"1/4 .

### MOTOR

- 3OS single-phase version:  
from 0,25 to 1,5 kW, 220 V, 50 Hz.
- Horizontal operation: 3OS up to 1,5 kW.
- Maximum temperature of water in contact with motor: 35°C .

### CONSTRUCTION & CHARACTERISTICS

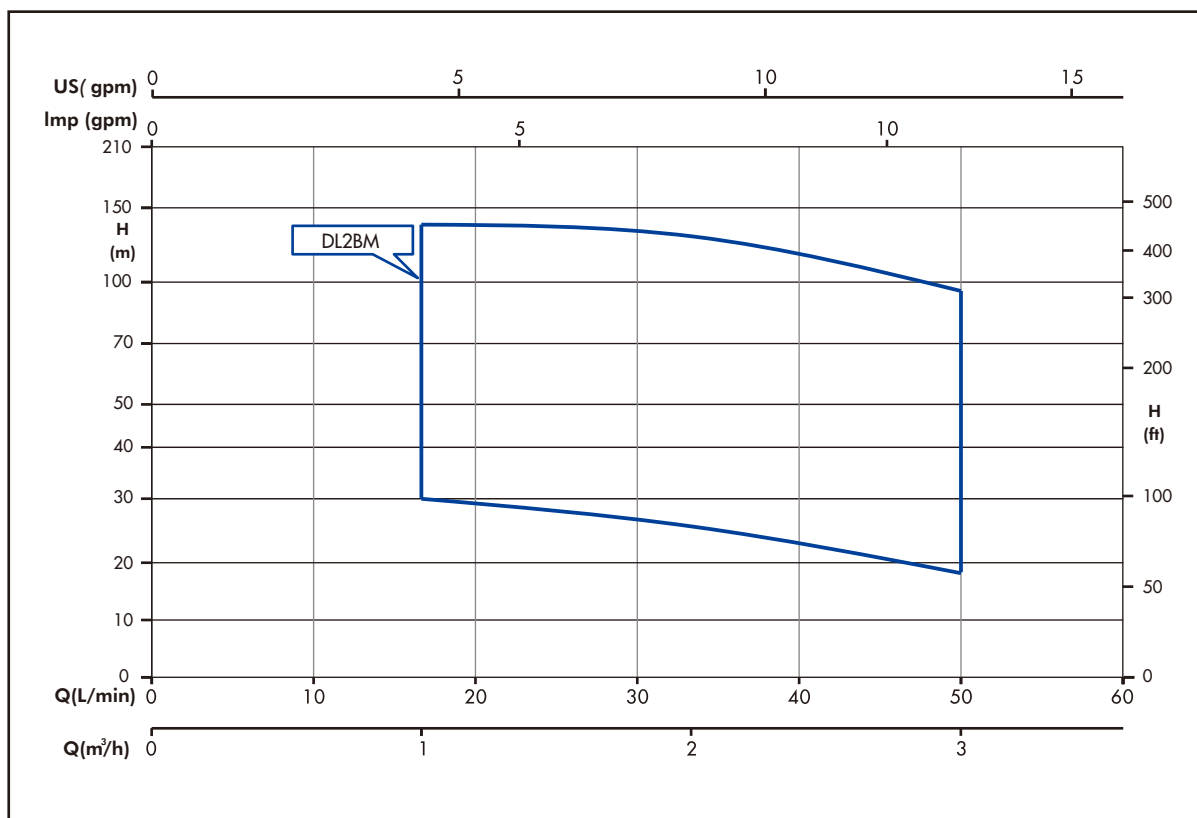
- Cost-effective construction ensures low cost, high efficiency, better performance and reliability.
- Abrasion resistant construction, floating impellers ensure optimum resistance to abrasion.
- The hexagonal pump shaft guarantees an effective impeller driving.
- A non-return valve is fitted at the discharge to prevent back flow of water and alleviate water hammer to the pump, safeguarding impellers and diffusers.
- The DL-BM series pumps can be coupled with the 3OS motors.
- Vertical and horizontal installation .
- Standard and special versions available.

### OPTIONAL FEATURES

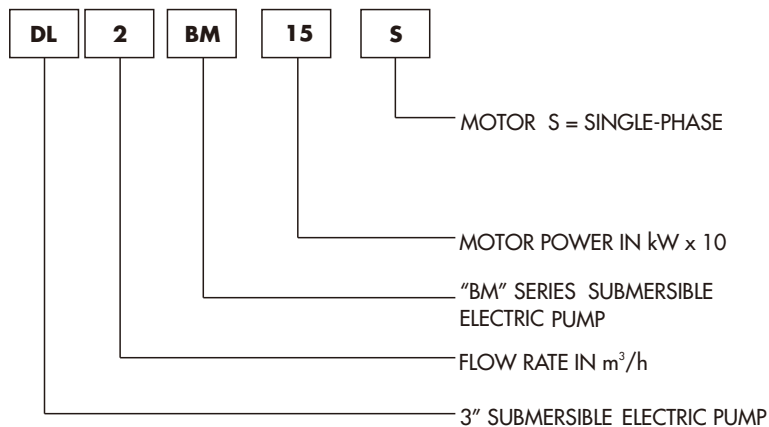
- Different voltage and frequency.
- Different materials.

## DL-BM SERIES

### HYDRAULIC PERFORMANCE RANGE AT 50 Hz



#### IDENTIFICATION CODE



#### EXAMPLE OF PUMP TYPE

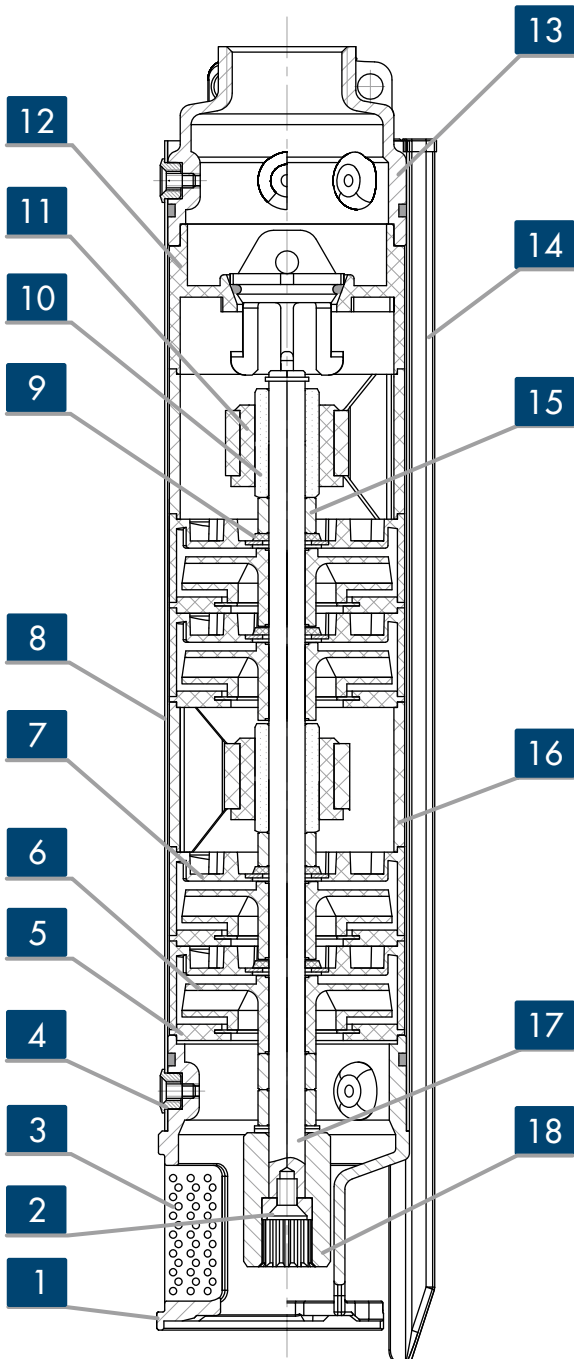
DL2BM15S

DL-BM series 3" submersible electric pump with flow rate of 2 m³/h; and single-phase 1,5 kW (2,0 Hp) motor.



## DL-BM SERIES

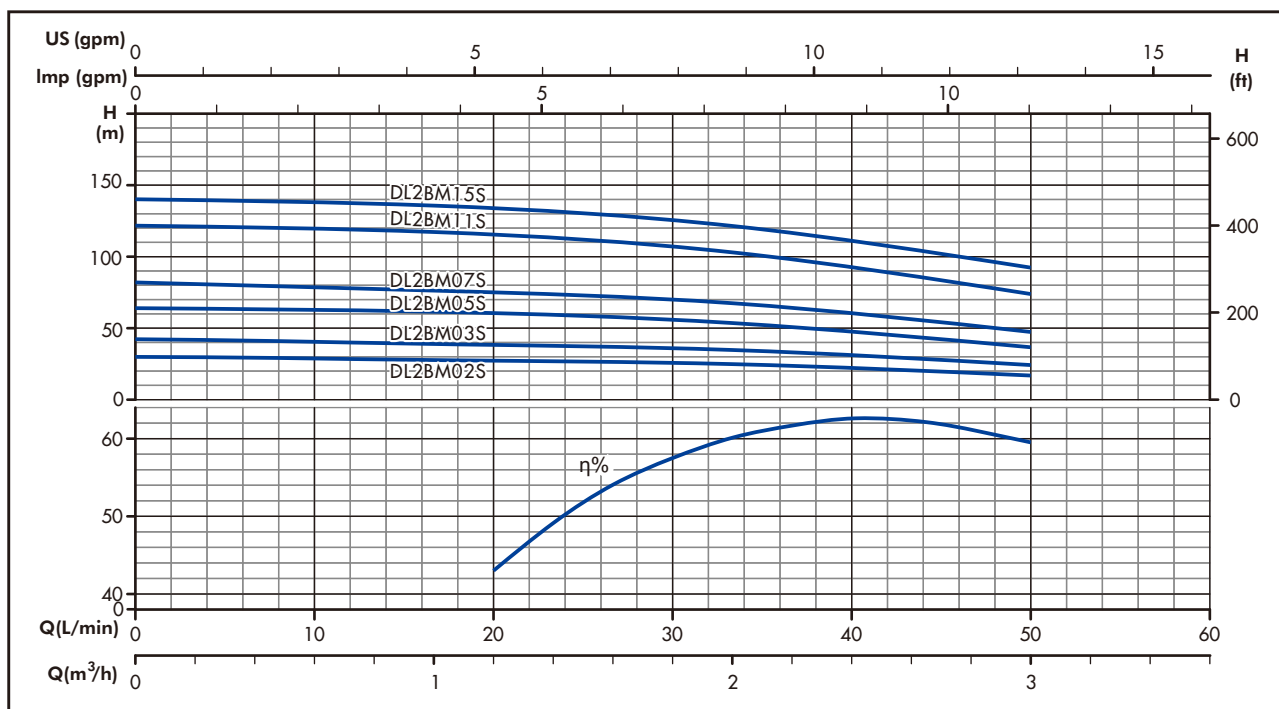
### PUMP SECTION AND LIST OF MAIN COMPONENTS MATERIAL



REF.N.	PART	MATERIAL	STANDARD
1	Lower support	Precision-cast stainless steel	AISI 304
2	Screw	Stainless steel	AISI 304
3	Filter	Stainless steel	AISI 304
4	Pin	Stainless steel	AISI 304
5	Guide plate	ABS	-----
6	Impeller	ABS	-----
7	Diffuser	ABS	-----
8	Outer sleeve	Stainless steel	AISI 304
9	Wearing gasket	NBR	-----
10	Shaft sleeve	Stainless steel	AISI 304
11	Bush bearing	TPU	-----
12	Upper support	ABS	-----
13	Delivery port	Precision-cast stainless steel	AISI 304
14	Cable guard	Stainless steel	AISI 304
15	Shaft sleeve	Stainless steel	AISI 304
16	Intermediate support	ABS	-----
17	Shaft	Stainless steel	AISI 420
18	Coupling	Stainless steel	AISI 304

## DL-BM SERIES

### OPERATING CHARACTERISTICS AT 50 Hz



### OPERATING CHARACTERISTICS AT 50 Hz

PUMP TYPE	N.OF STAGES	kW	Hp	Q=DELIVERY			
				l/min 0	17	33	50
				m³/h 0	1	2	3
H=TOTAL HEAD METERS COLUMN OF WATER							
DL2BM02S	8	0,25	0,33	30	28	25	18
DL2BM03S	11	0,37	0,5	42	40	35	25
DL2BM05S	16	0,55	0,75	64	60	53	37
DL2BM07S	21	0,75	1	81	78	68	48
DL2BM11S	31	1,1	1,5	121	116	103	75
DL2BM15S	37	1,5	2	140	138	123	90

### DIMENSIONS AND WEIGHTS AT 50 Hz

PUMP TYPE	N.OF STAGES	DN	L1 mm	L mm	PUMP WEIGHT kg	ELECTRIC PUMP WEIGHT kg
DL2BM02S	8	Rp1"1/4	419	791	2,1	8,6
DL2BM03S	11		497	899	2,4	9,7
DL2BM05S	16		626	1063	3	11
DL2BM07S	21		796	1268	3,8	12,8
DL2BM11S	31		1096	1653	5,4	16,4
DL2BM15S	37		1251	1848	6,5	19,0

