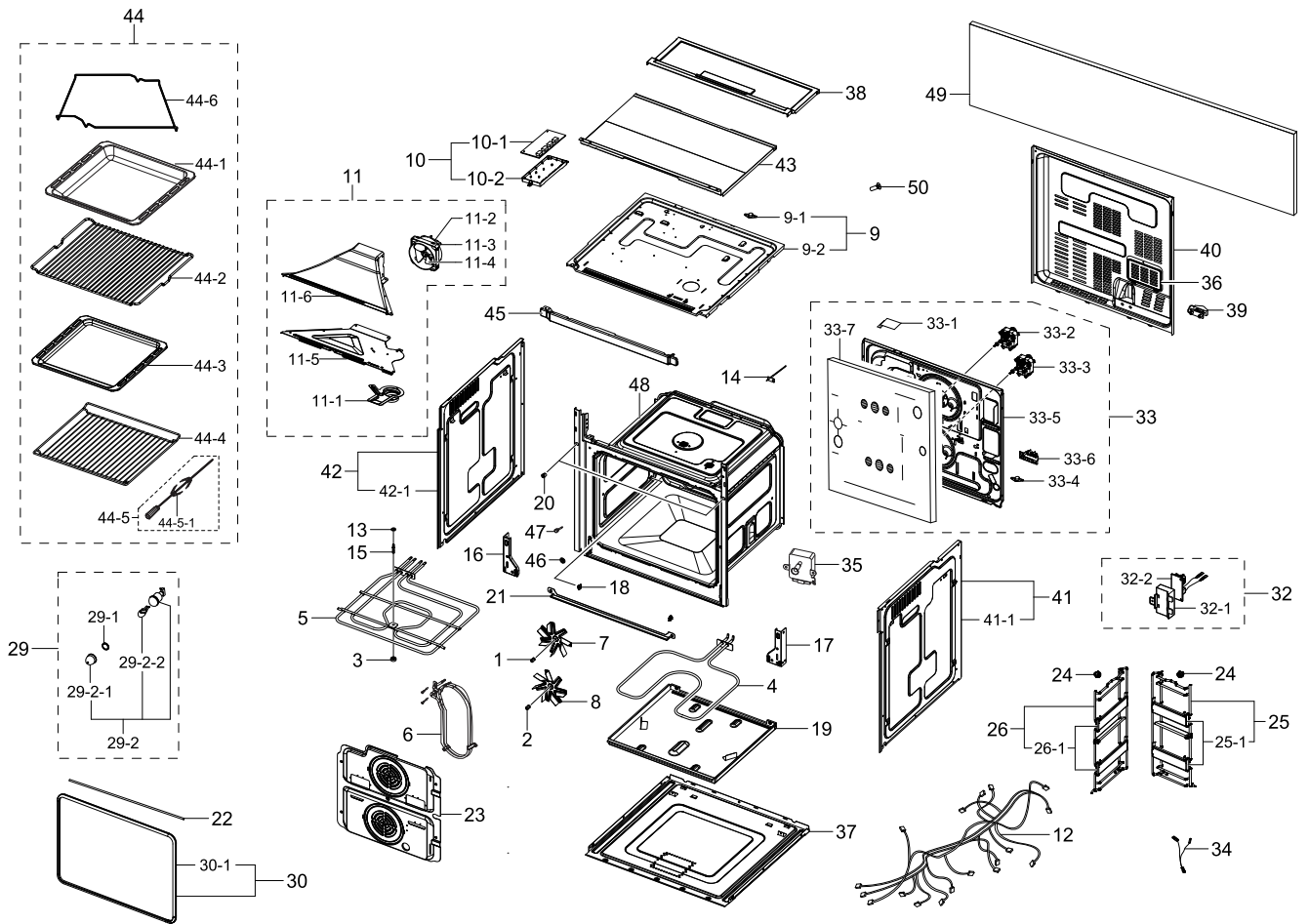


# 1. NV6584L NESR/WT

## Exploded View



## Parts List

No.	Lvl.	Loc.	Material Code	Description & Specification	SNA	Qty.
1	2	X107	6021-001208	NUT-HEXAGON CAP; M4,NI PLT,SWRCH10A	SA	1
2	2	X107	6021-001211	NUT-HEXAGON CAP; M4,NI PLT,SWRCH10A,LEFT	SA	1
3	2	Z779	6021-001207	NUT-CIRCULAR; M5,NI PLT,SWRCH10A,MESHING	SA	1
4	2	M224	DG47-00007A	HEATER SHEATH-BOTTOM; AC230V,1100W,SUS309	SA	1
5	2	M007	DG47-00008A	HEATER SHEATH-GRILL; AC230V,1600W/1100W,S	SC	1
6	2	H072	DG47-00011C	HEATER SHEATH-CONVECTION; AC230V,BKT + #2	SA	1
7	2		DG67-00001C	FAN CONVECTION; 24"OVEN,ALCOAT-SA1C,Pi 12	SA	1
8	2		DG67-00011C	FAN CONVECTION; 24"OVEN,ALCOAT-SA1C,Pi 12	SA	1

## Exploded Views and Parts List

No.	Lvl.	Loc.	Material Code	Description & Specification	SNA	Qty.
9	2	P214	DG94-00088H	ASSY BRACKET UPPER; NV6786BNESR,NEO PJT	SNA	1
9-1	3	M464	DG47-00010A	THERMOSTAT; AC125/250V,15/16A,130C,0C,Ver	SA	1
9-2	3	P219	DG94-00096D	ASSY BRACKET UPPER-SUB; NV6786BNESR,NEO P	SA	1
10	2		DG94-00712C	ASSY HOLDER PCB-MAIN; NV6524BNESR,NEO PJT	SNA	1
10-1	3	F316	DE92-03316C	ASSY PCB MAIN; LED,IN-HOUSE/DE92-03220C,Y	SA	1
10-2	3	C195	DG61-00450A	HOLDER PCB-MAIN; GVE MODEL,PP,NATURAL,FH4	SA	1
11	2		DG94-00741B	ASSY COVER-FAN COOLING; NV6786BNESR,NEO P	SNA	1
11-1	3		DG61-00676A	GUIDE-EXHAUST; NEO PJT,ALCOAT-SA1C,T0.5,W	SA	1
11-2	3	M259	DG31-00010A	MOTOR AC FAN; SMF-621EA,2,230V,50Hz,16W,2	SA	1
11-3	3	M022	DG63-00122A	COVER BLOWER; BF641FST,PA66,V-0,BLACK,GF1	SA	1
11-4	3	M261	DG67-00031A	FAN-COOLING; BF641FST,PA66,D88,4,-,G.F15%	SA	1
11-5	3		DG63-00279A	COVER FAN-COOLING LOWER; NEO PJT,ALCOT,T0	SA	1
11-6	3		DG63-00283A	COVER-FAN COOLING UPPER; NEO PJT,GI-SGCC,	SA	1
12	2	W002	DG96-00294B	ASSY WIRE HARNESS-MAIN; NV6524BNESR/WT,23	SNA	1
13	2	H024	DE60-30016A	NUT FLANGE; MSWR-SWRM,MSWR10	SA	4
14	2	M054	DG32-00001C	SENSOR TEMP; 13.796Kohm	SA	1
15	2	H055	DG61-00073A	STUD-GRILL; E-OVEN(24),STS304,L23,-	SA	1
16	2	M294	DG61-00255A	SUPPORT HINGE-LEFT; JM PYROLYTIC,GI-SGCC,	SA	1
17	2	M293	DG61-00256A	SUPPORT HINGE-RIGHT; JM PYROLYTIC,GI-SGCC	SA	1
18	2	M188	DG61-00341A	BRACKET-HOLDER RACK; FLAT ALL MODEL,STS30	SNA	4
19	2	M241	DG63-00007A	COVER-BOTTOM HEATER; BT63BSST,GI-SGCC,T0.	SNA	1
20	2	M242	DG63-00119A	COVER SCREW; BT65FQBPST,ABS,BLUE(74171),	SA	2
21	2	D205	DG64-00291A	DOOR-GUTTER; BT62FQBPST/XEF,GA-SGCD,T0.5,	SA	1
22	2	M243	DG70-00002A	WIRE-STEEL; BT63BSST,MSWR-SWRM,,T1.0,L200	SNA	2

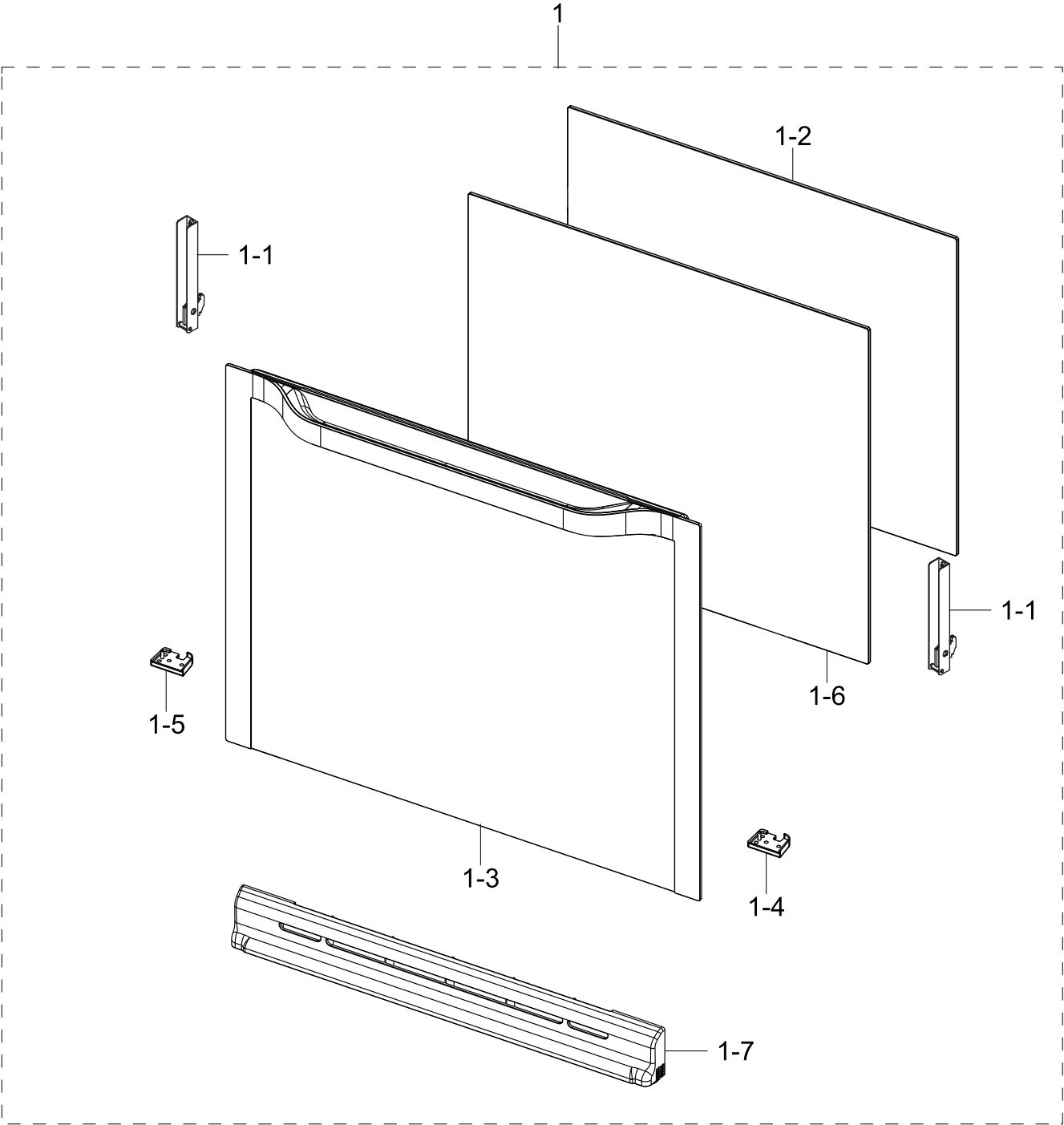
No.	Lvl.	Loc.	Material Code	Description & Specification	SNA	Qty.
23	2	H005	DG94-00261E	ASSY COVER CASING; NV6584LNESR,CATALYTIC,	SA	1
24	2	H130	DG94-00332A	HOLDER RACK; STS304	SA	2
25	2	M274	DG94-00446A	ASSY-RACK SIDE(R); VE-PJT, SINGLE,LV2, LE	SA	1
25-1	3	P445	DG61-00469A	RAIL-TELESCOPIC R; TELESCOPIC MODEL,STS30	SA	2
26	2	M273	DG94-00445A	ASSY-RACK SIDE(L); VE-PJT, SINGLE,LV2, LE	SA	1
26-1	3	P444	DG61-00468A	RAIL-TELESCOPIC L; TELESCOPIC MODEL,STS30	SA	2
29	2	M248	DG97-00011A	ASSY LAMP BULB; BT63BSST / BWT,-,230V25W,	SA	1
29-1	4	M265	DG63-00029A	COVER-RING BULB; BT63BSST,STS304,T0.5	SA	1
29-2	3	M249	DG97-00012A	ASSY LAMP BULB; BT63BSST/?BWT,611202,230V	SA	1
29-2-1	4	M278	DG47-00005A	LAMP-INCANDESCENT; 230V,-,25W,-,-,25x57	SNA	1
29-2-2	4	M279	DG63-00026A	COVER LAMP; BT63BSST / BWT,GLASS,CLEAR LE	SNA	1
30	2	D116	DG97-00019C	ASSY GASKET DOOR; BF1N4T123/XEO,SILICON R	SA	1
30-1	3	M370	DG63-00016C	GASKET DOOR; BF641CGB,SI,1536,DARK BLUE,G	SNA	1
32	2		DG94-00385C	ASSY HOLDER NOISE FILTER; STEAM _ JUPITER	SA	1
32-1	3	M264	DG61-00444C	HOLDER NOISE FILTER; BI-SINGLE,PBT+GF,BLA	SA	1
32-2	3	M017	DG96-00021A	ASSY NOISE FILTER; SN-BF63,250V/18A,-,0.6	SA	1
33	2		DG94-00395L	ASSY COVER ADIABATIC-REAR; NV6524BNESR/WT	SA	1
33-1	3	H111	DE61-50490A	BRACKET-TCO; EGI-SECC,T0.6	SA	1
33-2	3	H001	DG31-00013A	MOTOR AC CONVECTION; 24" OVEN,SMC-EBF64A,	SA	1
33-3	3	H001	DG31-00014A	MOTOR AC CONVECTION; 24" OVEN,SMC-EBF64B,	SA	1
33-4	3	M464	DG47-00010A	THERMOSTAT; AC125/250V,15/16A,130C,0C,Ver	SA	1
33-5	3	P258	DG63-00202A	COVER-ADIABATIC REAR; BQ3N3T020,GI-SGCC,T	SNA	1
33-6	3	G005	DG65-00002A	TERMINAL BLOCK; BT63BSST,PA66,6 sqmm,BROW	SA	1
33-7	3	P287	DG62-00002B	ADIABATIC-REAR; GVE/MD,GLASS WOOL,T25,GLA	SA	1
34	2	W007	DG96-00198A	ASSY WIRE HARNESS-EARTH; BQ2D7G044,230/24	SA	1

Exploded Views and Parts List

No.	Lvl.	Loc.	Material Code	Description & Specification	SNA	Qty.
35	2	M277	DG31-00003A	MOTOR AC DRIVE; 323,BT63BSST,8,230V,50/60	SA	1
36	2	H050	DG61-00031A	BRACKET-AS COVER; BT63BSST,GI-SGCC,T0.5,W	SA	1
37	2	U075	DG61-00051A	BASE BOTTOM; BT63BSST,GI-SGCD,T0.5,W555,L	SNA	1
38	2	H052	DG61-00053A	CASE-UPPER B; BT63BSST,GI-SGCC,T0.5,-,BI	SA	1
39	2		DG61-00405A	HOLDER-CABLE; DX6292K,PA66,WHT	SA	1
40	2	P186	DG63-00009B	COVER BACK; BT62FQBPT,GI-SGCC,T0.5,W546.	SA	1
41	2		DG94-00328D	ASSY CASE-R; GF94TRT001,COOKER,HANDLE HOL	SA	1
41-1	3	H053	DG61-00654C	CASE-RIGHT; NEO PJT,GI-SGCC,T0.5,W1075,L5	SNA	1
42	2		DG94-00329D	ASSY CASE-L; GF94TRT001,COOKER,HANDLE HOL	SA	1
42-1	3	H054	DG61-00655C	CASE-LEFT; NEO PJT,GI-SGCC,T0.5,W600,L533	SNA	1
43	2	H094	DG94-00361A	ASSY CASE-UPPER; BF641FST,GI,T0.5	SA	1
44	2		DG98-01027L	ASSY PACKING ACCESSORY; VE-PJT(BQ2Q7G069/	SNA	1
44-1	3	T111	DG63-00011A	TRAY-BAKING B; CR-SPP,T0.6,ENAMEL COATING	SA	1
44-2	3	M272	DG59-00004A	RACK-WIRE ROAST; MSWR,SNC2 COATING	SA	1
44-3	3	T112	DG63-00012A	TRAY-BAKING A; BT63BSST,CR-SPP,T0.6,W550,	SA	1
44-4	3	T030	DG75-01026A	RACK WIRE; BQ3N3T020,MSWR-SWRM,W461,L352.	SA	1
44-5	3	Z031	DG90-00006A	ASSY PACKING-JACK SPIT; BT63TDFST/XEH,Jac	SNA	1
44-5-1	4	P285	DG61-00080A	SPIT-JACK; BT63BSST,MSWR,CR+3 COATING	SNA	1
44-6	3	P225	DG59-00002C	RACK-SPIT WIRE; WIRE RACK SPIT,MSWR,W460.	SA	1
45	2	P148	DG61-00644A	BRACKET-FRONT; NEO PJT,SPP,T0.5,W531.8,L4	SNA	1
46	2	M262	6031-001545	WASHER-SPRING; STS430,ID5,OD11.8,T0.3,Dar	SNA	4
47	2	M268	DG73-00002A	RUBBER-CUSHION; BT63BSST,SI RUBBER,BI,DAR	SA	2
48	2	P141	DG94-00374R	ASSY CAVITY-COATING; NV6584L NESR,70L,ENAM	SNA	1
49	2	M333	DG62-00003B	ADIABATIC-MAIN; GVE/MD,GLASS WOOL,T25,GLA	SNA	1
50	2	V031	DE60-10184A	SCREW MACHINE; FH,+,NO,M5,L12,ZPC(BLK),SW	SA	4

# 2. Assy Door

## Exploded View

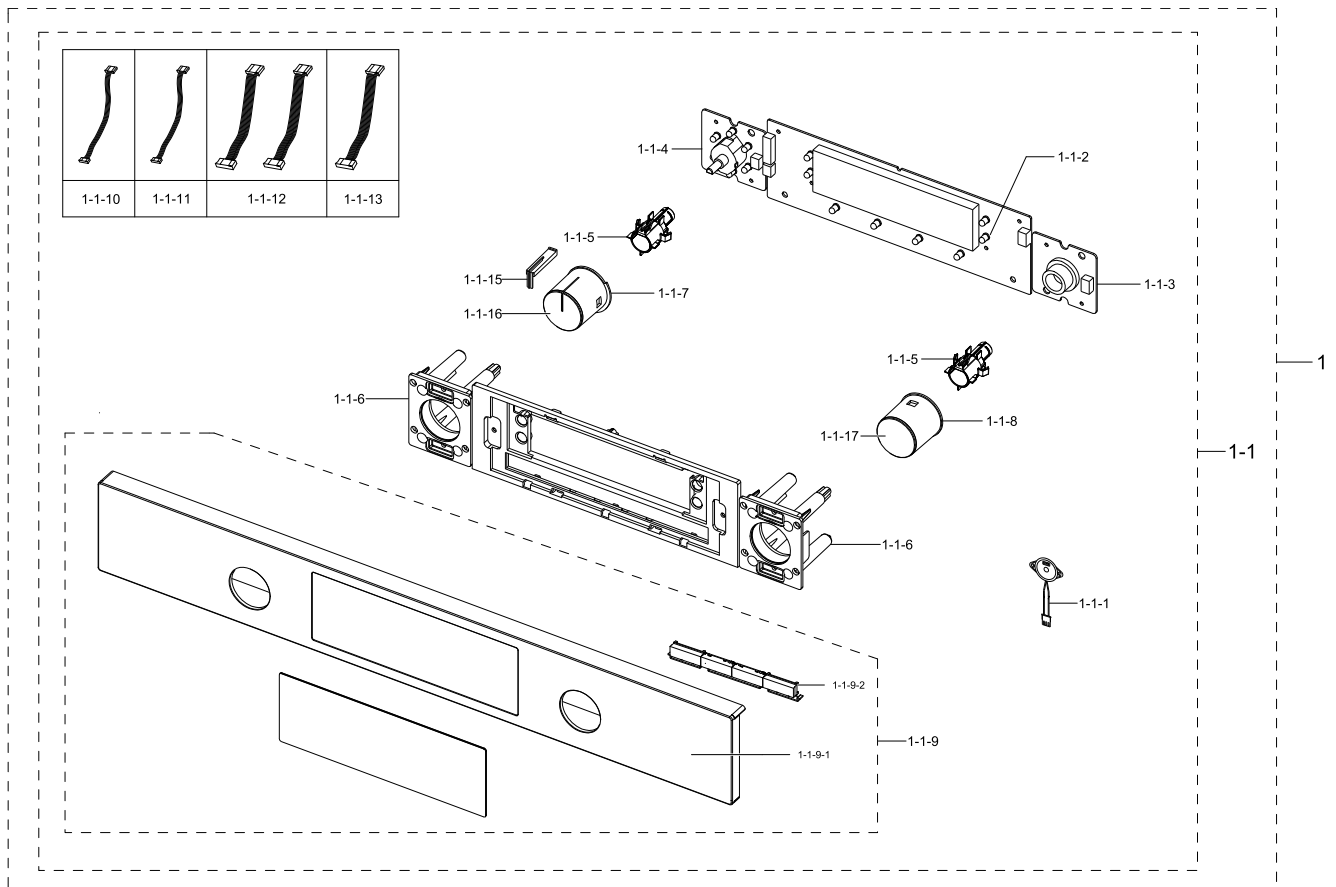


**Parts List**

No.	Lvl.	Loc.	Material Code	Description & Specification	SNA	Qty.
1	1	D049	DG94-00719A	ASSY DOOR; NEO PJT	SA	1
1-1	2	V002	DG97-00023G	ASSY HINGE; NV6584LNESR,GI,NON PYRO PRESS	SA	2
1-2	2	D110	DG64-00326A	GLASS-DOOR INNER; GVE MODEL, GLASS, T4, TEMP	SNA	1
1-3	2	D015	DG94-00720A	ASSY DOOR SUB; NEO PJT	SA	1
1-4	2	D105	DG63-00210A	COVER-HINGE RIGHT; GVE MODEL, PBT, T2, BLACK	SA	1
1-5	2	D106	DG63-00211A	COVER-HINGE LEFT; GVE MODEL, PBT, T2, BLACK,	SA	1
1-6	2	D109	DG64-00136B	GLASS-DOOR MIDDLE; CLASSIC2, GLASS, T4, TEMP	SNA	1
1-7	2		DG67-00067A	DUCT COVER; NEO PJT, PBT+GF, V0, KP212G15VOB	SA	1

## 3. Assy Control Box

### Exploded View



### Parts List

No.	Lvl.	Loc.	Material Code	Description & Specification	SNA	Qty.
1	1		DG90-00044B	ASSY CONTROL PARTS; NV6524BNESR,NEO PJT	SNA	1
1-1	2	C082	DG94-00718B	ASSY CONTROL BOX; NV6524BNESR,230V50Hz,ST	SA	1
1-1-1	3	C197	DE96-00686B	ASSY BUZZER; E-OVEN,KPR-G3020-450,450mm,2	SA	1
1-1-2	3	C154	DE96-00991C	ASSY MODULE; Assy Display,NEO-PJT,NEO SIN	SA	1
1-1-3	3	C317	DE96-00995A	ASSY-DIAL; NV6786BNESR/WT,DAM-NEO DIAL-00	SA	1
1-1-4	3	C319	DE96-00994A	ASSY-MODE; NV6786BNESR/WT,DAM-NEO MODE-00	SA	1
1-1-5	3		DG94-01293A	ASSY POP UP; KNOB POP IN/OUT	SA	2
1-1-6	3	C360	DG61-00638A	HOLDER KNOB; NEO PJT,PC,W71.0,L96.0,BLACK	SA	2
1-1-7	3	C185	DG64-00394B	KNOB-DIAL SELECT; NV6786BNESR,PC,BLACK,NE	SNA	1

Exploded Views and Parts List

No.	Lvl.	Loc.	Material Code	Description & Specification	SNA	Qty.
1-1-8	3	C190	DG64-00396A	KNOB DIAL ENCODER; NEO PJT,PC,HB,BLACK,LE	SNA	1
1-1-9	3	C001	DG94-00721B	ASSY CONTROL PANEL; NV6524BNESR,STS,STS,N	SA	1
1-1-9-1	4	M372	DE96-00993A	ASSY TOUCH; ASSY TOUCH,NEO,FR-4,NEO-TOUCH	SA	2
1-1-9-2	4	C048	DG94-00722A	ASSY BUTTON SELECT; NEO PJT	SA	1
1-1-10	3	W004	DG96-00290A	ASSY WIRE HARNESS-DC SIGNAL; NV6786BNESR/	SA	1
1-1-11	3	W005	DG96-00291A	ASSY WIRE HARNESS-DC SIGNAL; NV6786BNESR/	SA	1
1-1-12	3	W001	DG96-00292A	ASSY WIRE HARNESS-DC SIGNAL; NV6786BNESR/	SA	2
1-1-13	3	W038	DG96-00295A	ASSY WIRE HARNESS-DC SIGNAL; NV6786BNESR/	SA	1
1-1-15	3		DG64-00395A	BUTTON-INDICATOR; NEO PJT,PC,GE BLACK	SNA	1
1-1-16	3		DG67-00065A	CAP-DIAL SELECT; NEO PJT,ABS+PC,W36.0,L36	SNA	1
1-1-17	3	C244	DG67-00066A	CAP-DIAL ENCODER; NEO PJT,ABS+PC,W36.0,L3	SNA	1