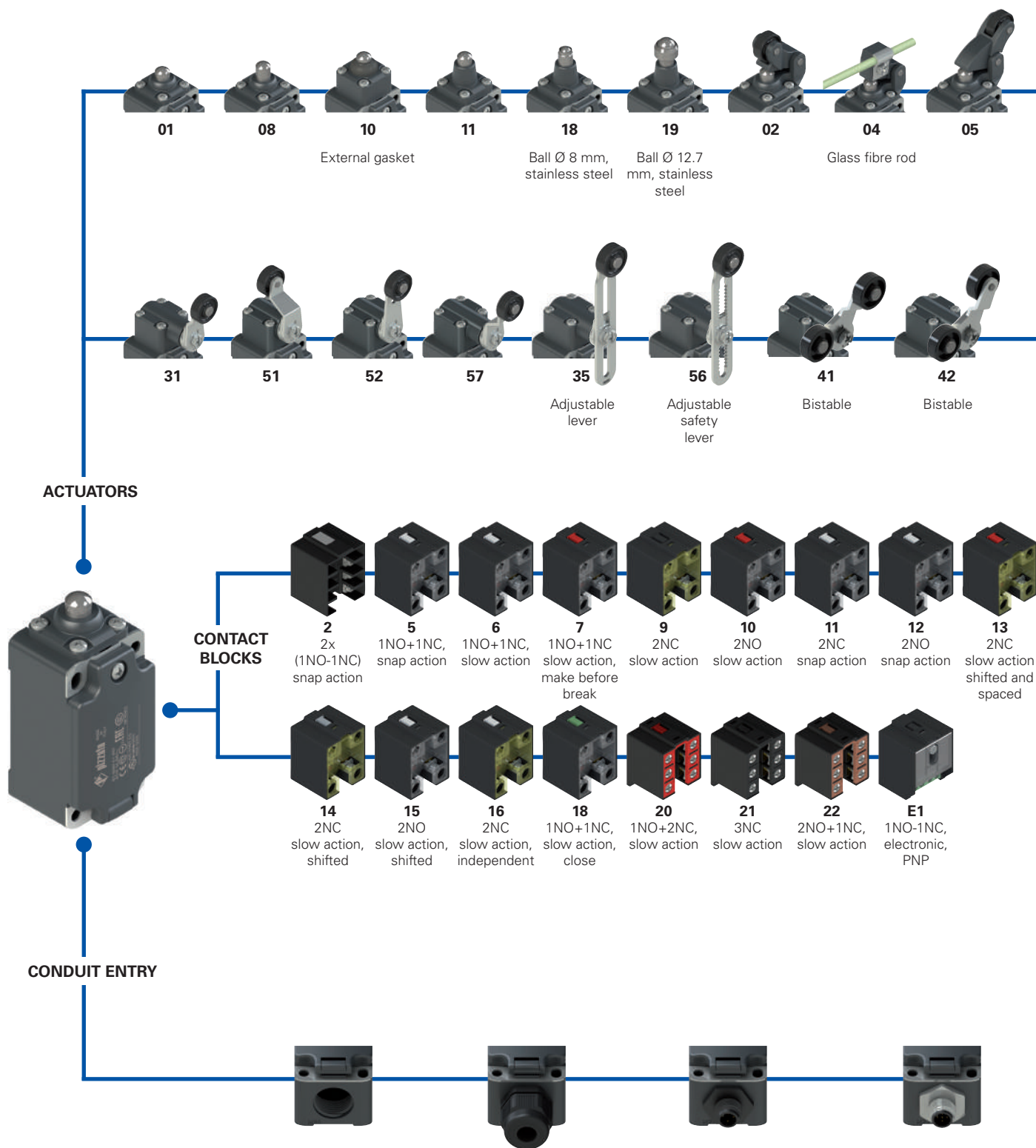


Selection diagram



Threaded conduit entry

M2	M20x1.5 (standard) PG 13.5
-----------	-------------------------------

With cable gland

K23	for cables Ø 6 ... 12 mm
K27	for cables Ø 3 ... 7 mm

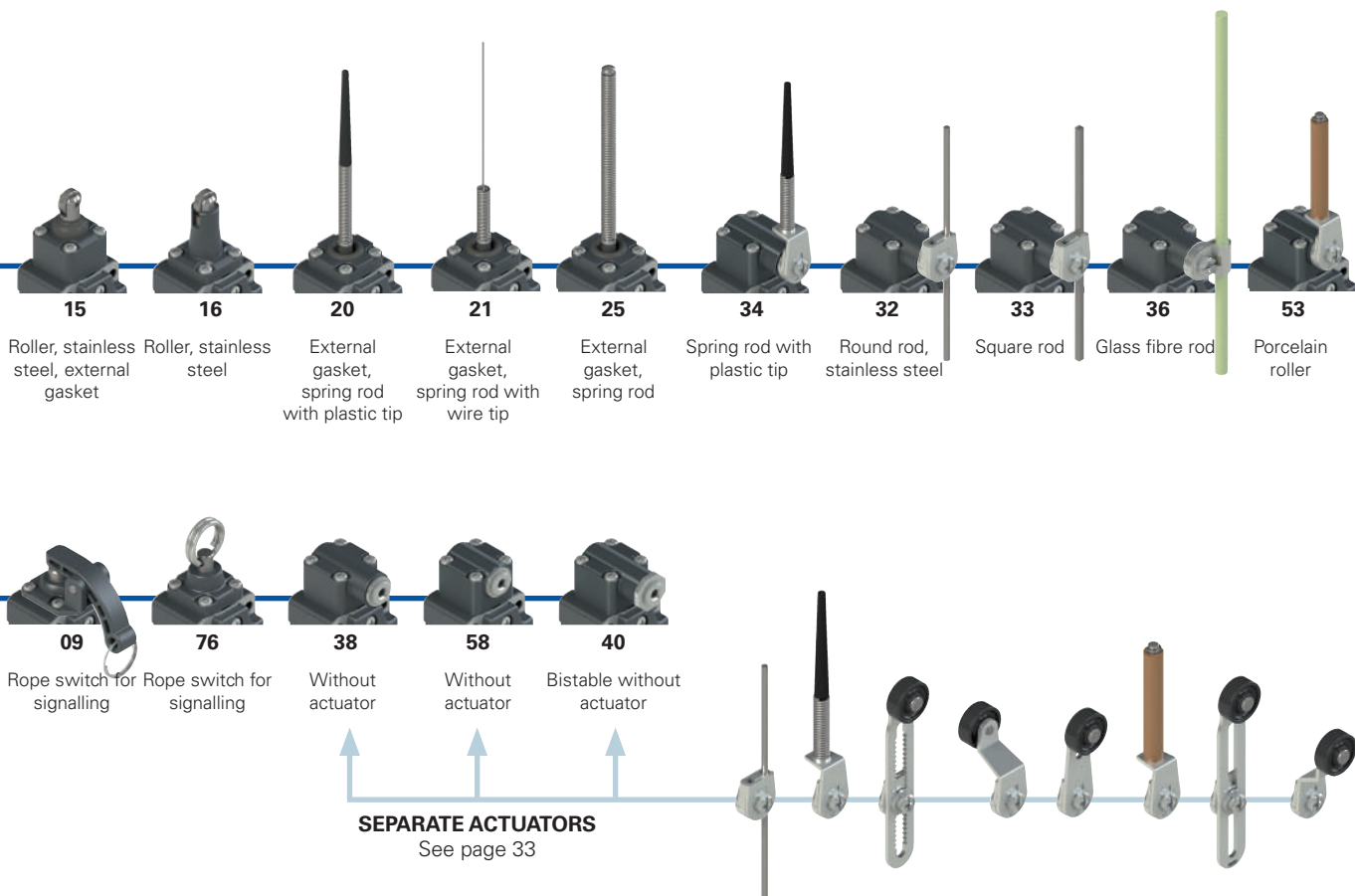
With M12 plastic connector

K70	4-pole, bottom
K45	8-pole, bottom

With M12 metal connector

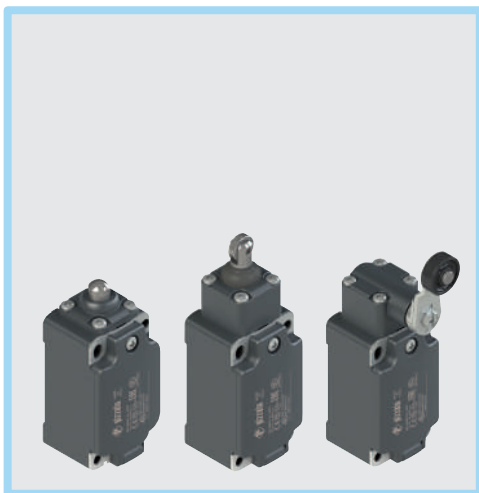
K40	8-pole, bottom
K60	4-pole, bottom

● Product options
→ Sold separately as accessory


Code structure
Attention! The feasibility of a code number does not mean the effective availability of a product. Please contact our sales office.

article
options
options
FP 502-GM2K70R24T6

Housing		Ambient temperature	
FP	technopolymer, one conduit entry		-25°C ... +80°C (standard)
Contact block		T6	-40°C ... +80°C
5	1NO+1NC, snap action	Rollers	
6	1NO+1NC, slow action		standard roller
7	1NO+1NC, slow action, make before break	R24	stainless steel Ø 20 mm (for actuators 02, 05, 31, 35, 51, 52, 56, 57)
...	R25	technopolymer, Ø 35 mm (for actuators 31, 35, 51, 52, 56, 57)
Actuators		R5	rubber, Ø 40 mm (for actuators 31, 35, 51, 52, 56, 57)
01	short plunger	R26	rubber, Ø 50 mm (for actuators 31, 35, 51, 52, 56, 57)
02	roller lever	R27	rubber, protruding, Ø 50 mm (for actuators 35 and 56)
05	angled lever with roller	Pre-installed cable glands or connectors	
...		no cable gland or connector (standard)
Contact type		K23	cable gland for cables Ø 6 ... 12 mm
	silver contacts (standard)	K27	cable gland for cables Ø 3 ... 7 mm
G	silver contacts, 1 µm gold coating	K45	M12 plastic connector, 8-pole
G1	silver contacts, 2.5 µm gold coating (not for contact block 2, 20, 21, 22)	K70	M12 plastic connector, 4-pole
Threaded conduit entry		For the complete list of possible combinations please contact our technical department.	
M2	M20x1.5 (standard)		
	PG 13.5		



Main features

- Technopolymer housing, one conduit entry
- Protection degree IP67
- Stainless steel fixing plates
- 17 contact blocks available
- 29 actuators available
- Versions with M12 connector
- Versions with gold-plated silver contacts

Technical data

Housing

Housing made of glass fibre reinforced technopolymer, self-extinguishing, shock-proof and with double insulation: 

One threaded conduit entry:

M20x1.5 (standard)

Protection degree acc. to EN 60529:

IP67 with cable gland of equal or higher protection degree

General data

Ambient temperature: -25°C ... +80°C (standard)

-40°C ... +80°C (T6 option)

Max. actuation frequency: 3600 operating cycles/hour

Mechanical endurance: 20 million operating cycles

Mounting position: any

Safety parameter B_{10D} : 40,000,000 for NC contacts

Mechanical interlock, not coded: type 1 acc. to EN ISO 14119

Tightening torques for installation: see page 227

Wire cross-sections and wire stripping lengths: see page 247

In compliance with standards:

IEC 60947-5-1, EN 60947-5-1, EN 60947-1, EN 50041, IEC 60204-1, EN 60204-1, EN ISO 14119, EN ISO 12100, IEC 60529, EN 60529, EN IEC 63000, UL 508, CSA 22.2 No.14.

Approvals:

IEC 60947-5-1, UL 508, CSA 22.2 No.14, GB/T14048.5

Compliance with the requirements of:

Low Voltage Directive 2014/35/EU, EMC Directive 2014/30/EU,

RoHS Directive 2011/65/EU.

Positive contact opening in conformity with standards:

IEC 60947-5-1, EN 60947-5-1.

Quality marks:




IMQ approval: EG605


UL approval: E131787

CCC approval: 2020970305002282

EAC approval: RU C-IT.YT03.B.00035/19

Installation for safety applications:

Use only switches marked with the symbol  next to the product code. Always connect the safety circuit to the **NC contacts** (normally closed contacts: 11-12, 21-22 or 31-32) as required by **EN ISO 14119, paragraph 5.4** for specific interlock applications and **EN ISO 13849-2 tables D3** (well-tries components) and **D.8** (fault exclusions) for safety applications in general. Actuate the switch **at least up to the positive opening travel** shown in the travel diagrams on page 228. Actuate the switch **at least with the positive opening force**, reported in brackets below each article, next to the actuating force value.

 **If not expressly indicated in this chapter, for correct installation and utilization of all articles see the instructions given on pages 225 to 240.**

	Electrical data	Utilization category
without connector	Thermal current (I_{th}):	10 A
	Rated insulation voltage (U):	500 Vac 600 Vdc 400 Vac 500 Vdc (contact blocks 2, 11, 12, 20, 21, 22)
	Rated impulse withstand voltage (U_{imp}):	6 kV 4 kV (contact blocks 20, 21, 22)
	Conditional short circuit current: Protection against short circuits: Pollution degree:	1000 A acc. to EN 60947-5-1 type aM fuse 10 A 500 V 3
		Alternating current: AC15 (50÷60 Hz) Ue (V) 250 400 500 Ie (A) 6 4 1 Direct current: DC13 Ue (V) 24 125 250 Ie (A) 3 0.55 0.3
with M12 connector, 4-pole	Thermal current (I_{th}):	4 A
	Rated insulation voltage (U):	250 Vac 300 Vdc
	Protection against short circuits: Pollution degree:	type gG fuse 4 A 500 V 3
		Alternating current: AC15 (50÷60 Hz) Ue (V) 24 120 250 Ie (A) 4 4 4 Direct current: DC13 Ue (V) 24 125 250 Ie (A) 3 0.55 0.3
with M12 connector, 8-pole	Thermal current (I_{th}):	2 A
	Rated insulation voltage (U):	30 Vac 36 Vdc
	Protection against short circuits: Pollution degree:	type gG fuse 2 A 500 V 3
		Alternating current: AC15 (50÷60 Hz) Ue (V) 24 Ie (A) 2 Direct current: DC13 Ue (V) 24 Ie (A) 2



Features approved by IMQ

Rated insulation voltage (U_i): 500 Vac
 400 Vac (for contact blocks 2, 11, 12, 20, 21, 22, 28, 29, 30, 33, 34, 37)

Conventional free air thermal current (I_{th}): 10 A

Protection against short circuits: type aM fuse 10 A 500 V

Rated impulse withstand voltage (U_{imp}): 6 kV
 4 kV (for contact blocks 20, 21, 22, 28, 29, 30, 33, 34)

Protection degree of the housing: IP67

MV terminals (screw terminals)

Pollution degree: 3

Utilization category: AC15

Operating voltage (U_o): 400 Vac (50 Hz)

Operating current (I_o): 3 A

Forms of the contact element: Za, Za+Za, X+X, Zb, Y+Y, Y+Y+X, Y+Y+Y, Y+X+X, Y, X.

Positive opening of contacts on contact blocks 5, 6, 7, 8, 9, 11, 13, 14, 16, 17, 18, 19, 20, 21, 22, 28, 29, 30, 33, 34, 37, 38, 39, 66.

In compliance with standards: EN 60947-1, EN 60947-5-1, fundamental requirements of the Low Voltage Directive 2014/35/EU.

Please contact our technical department for the list of approved products.

Features approved by UL

Electrical Ratings: Q300 pilot duty (69 VA, 125-250 V dc)
 A600 pilot duty (720 VA, 120-600 V ac)

Environmental Ratings: Types 1, 4X, 12, 13

For all contact blocks except 2 and 3 use 60 or 75°C copper (Cu) conductors, rigid or flexible, wire size 12, 14 AWG. Tightening torque for terminal screws of 7.1 lb in (0.8 Nm).

For contact blocks 2 and 3 use 60 or 75°C copper (Cu) conductors, rigid or flexible, wire size 14 AWG. Tightening torque for terminal screws of 12 lb in (1.4 Nm).

The hub is to be connected to the conduit before the hub is connected to the enclosure.

Please contact our technical department for the list of approved products.

Wiring diagram for M12 connectors

Contact block 2 2x(1NO-1NC)	Contact block 5 1NO+1NC	Contact block 6 1NO+1NC	Contact block 7 1NO+1NC	Contact block 9 2NC	Contact block 10 2NO	Contact block 11 2NC	Contact block 12 2NO	Contact block 13 2NC
M12 connector, 8-pole	M12 connector, 4-pole	M12 connector, 4-pole	M12 connector, 4-pole	M12 connector, 4-pole	M12 connector, 4-pole	M12 connector, 4-pole	M12 connector, 4-pole	M12 connector, 4-pole
Contacts Pin no.	Contacts Pin no.	Contacts Pin no.	Contacts Pin no.	Contacts Pin no.	Contacts Pin no.	Contacts Pin no.	Contacts Pin no.	Contacts Pin no.
NO 3-4	NC 1-2	NC 1-2	NC 1-2	NC 1-2	NO 1-2	NC 1-2	NO 1-2	NC (1°) 1-2
NC 5-6	NO 3-4	NO 3-4	NO 3-4	NC 3-4	NO 3-4	NC 3-4	NO 3-4	NC (2°) 3-4
NC 7-8								
NO 1-2								

Contact block 14 2NC	Contact block 15 2NO	Contact block 16 2NC	Contact block 18 1NO+1NC	Contact block 20 1NO+2NC	Contact block 21 3NC	Contact block 22 2NO+1NC	Contact block 33 1NO+1NC	Contact block 34 2NC
M12 connector, 4-pole	M12 connector, 4-pole	M12 connector, 4-pole	M12 connector, 4-pole	M12 connector, 8-pole	M12 connector, 8-pole	M12 connector, 8-pole	M12 connector, 4-pole	M12 connector, 4-pole
Contacts Pin no.	Contacts Pin no.	Contacts Pin no.	Contacts Pin no.	Contacts Pin no.	Contacts Pin no.	Contacts Pin no.	Contacts Pin no.	Contacts Pin no.
NC (1°) 1-2	NO (1°) 1-2	NC, lever to the right 1-2	NC 1-2	NC 3-4	NC 3-4	NC 3-4	NC 1-2	NC 1-2
NC (2°) 3-4	NO (2°) 3-4	NC, lever to the left 3-4	NO 3-4	NC 5-6	NC 5-6	NO 5-6	NO 3-4	NC 3-4
				NO 7-8	NC 7-8	NO 7-8		

Contact block E1
PNP

M12 connector, 4-pole

Contacts	Pin no.
+	1
-	3
NC	2
NO	4

- Contact type
- R** = snap action
 - L** = slow action
 - LO** = slow action, make before break
 - LS** = slow action, shifted
 - LV** = slow action, shifted and spaced
 - LI** = slow action, independent
 - LA** = slow action, close
 - A** = electronic, PNP

			With stainless steel roller on request		With stainless steel roller on request			
Contact block								
2	R FP 201-M2	2x(1NO-1NC)	FP 202-M2	2x(1NO-1NC)	FP 204-M2	2x(1NO-1NC)	FP 205-M2	2x(1NO-1NC)
5	R FP 501-M2	1NO+1NC	FP 502-M2	1NO+1NC	FP 504-M2	1NO+1NC	FP 505-M2	1NO+1NC
6	L FP 601-M2	1NO+1NC	FP 602-M2	1NO+1NC	FP 604-M2	1NO+1NC	FP 605-M2	1NO+1NC
7	LO FP 701-M2	1NO+1NC	FP 702-M2	1NO+1NC	FP 704-M2	1NO+1NC	FP 705-M2	1NO+1NC
9	L FP 901-M2	2NC	FP 902-M2	2NC	FP 904-M2	2NC	FP 905-M2	2NC
10	L FP 1001-M2	2NO	FP 1002-M2	2NO	FP 1004-M2	2NO	FP 1005-M2	2NO
11	R FP 1101-M2	2NC	FP 1102-M2	2NC	FP 1104-M2	2NC	FP 1105-M2	2NC
12	R FP 1201-M2	2NO	FP 1202-M2	2NO	FP 1204-M2	2NO	FP 1205-M2	2NO
13	LV FP 1301-M2	2NC	FP 1302-M2	2NC	FP 1304-M2	2NC	FP 1305-M2	2NC
14	LS FP 1401-M2	2NC	FP 1402-M2	2NC	FP 1404-M2	2NC	FP 1405-M2	2NC
15	LS FP 1501-M2	2NO	FP 1502-M2	2NO	FP 1504-M2	2NO	FP 1505-M2	2NO
18	LA FP 1801-M2	1NO+1NC	FP 1802-M2	1NO+1NC	FP 1804-M2	1NO+1NC	FP 1805-M2	1NO+1NC
20	L FP 2001-M2	1NO+2NC	FP 2002-M2	1NO+2NC	FP 2004-M2	1NO+2NC	FP 2005-M2	1NO+2NC
21	L FP 2101-M2	3NC	FP 2102-M2	3NC	FP 2104-M2	3NC	FP 2105-M2	3NC
22	L FP 2201-M2	2NO+1NC	FP 2202-M2	2NO+1NC	FP 2204-M2	2NO+1NC	FP 2205-M2	2NO+1NC
E1	A FP E101-M2	1NO-1NC	FP E102-M2	1NO-1NC	FP E104-M2	1NO-1NC	FP E105-M2	1NO-1NC
Max. speed	page 227 - type 4		page 227 - type 3		0.5 m/s		page 227 - type 3	
Actuating force	8 N (25 N ⊕)		6 N (25 N ⊕)		0.17 Nm		6 N (25 N ⊕)	
Travel diagrams	page 228 - group 1		page 228 - group 2		page 228 - group 1		page 228 - group 2	

- Contact type
- R** = snap action
 - L** = slow action
 - LO** = slow action, make before break
 - LS** = slow action, shifted
 - LV** = slow action, shifted and spaced
 - LI** = slow action, independent
 - LA** = slow action, close
 - A** = electronic, PNP

			Rope switch for signalling	External gasket				
Contact block								
2	R FP 208-M2	2x(1NO-1NC)	FP 209-M2	2x(1NO-1NC)	FP 210-M2	2x(1NO-1NC)	FP 211-M2	2x(1NO-1NC)
5	R FP 508-M2	1NO+1NC	FP 509-M2	1NO+1NC	FP 510-M2	1NO+1NC	FP 511-M2	1NO+1NC
6	L FP 608-M2	1NO+1NC	FP 609-M2	1NO+1NC	FP 610-M2	1NO+1NC	FP 611-M2	1NO+1NC
7	LO FP 708-M2	1NO+1NC	FP 709-M2	1NO+1NC	FP 710-M2	1NO+1NC	FP 711-M2	1NO+1NC
9	L FP 908-M2	2NC	FP 909-M2	2NC	FP 910-M2	2NC	FP 911-M2	2NC
10	L FP 1008-M2	2NO	FP 1009-M2	2NO	FP 1010-M2	2NO	FP 1011-M2	2NO
11	R FP 1108-M2	2NC	FP 1109-M2	2NC	FP 1110-M2	2NC	FP 1111-M2	2NC
12	R FP 1208-M2	2NO	FP 1209-M2	2NO	FP 1210-M2	2NO	FP 1211-M2	2NO
13	LV FP 1308-M2	2NC	FP 1309-M2	2NC	FP 1310-M2	2NC	FP 1311-M2	2NC
14	LS FP 1408-M2	2NC	FP 1409-M2	2NC	FP 1410-M2	2NC	FP 1411-M2	2NC
15	LS FP 1508-M2	2NO	FP 1509-M2	2NO	FP 1510-M2	2NO	FP 1511-M2	2NO
18	LA FP 1808-M2	1NO+1NC	FP 1809-M2	1NO+1NC	FP 1810-M2	1NO+1NC	FP 1811-M2	1NO+1NC
20	L FP 2008-M2	1NO+2NC	FP 2009-M2	1NO+2NC	FP 2010-M2	1NO+2NC	FP 2011-M2	1NO+2NC
21	L FP 2108-M2	3NC	FP 2109-M2	3NC	FP 2110-M2	3NC	FP 2111-M2	3NC
22	L FP 2208-M2	2NO+1NC	FP 2209-M2	2NO+1NC	FP 2210-M2	2NO+1NC	FP 2211-M2	2NO+1NC
E1	A FP E108-M2	1NO-1NC	FP E109-M2	1NO-1NC	FP E110-M2	1NO-1NC	FP E111-M2	1NO-1NC
Max. speed	page 227 - type 4		0.5 m/s		page 227 - type 4		page 227 - type 4	
Actuating force	8 N (25 N ⊕)		7 N		11 N (25 N ⊕)		8 N (25 N ⊕)	
Travel diagrams	page 228 - group 1		/		page 228 - group 1		page 228 - group 1	

All values in the drawings are in mm

Accessories See page 207

→ The 2D and 3D files are available at www.pizzato.com



Contact type	External gasket		Ball, Ø 8 mm, stainless steel		Ball, Ø 12.7 mm, stainless steel			
	= snap action	= slow action	= snap action	= slow action	= snap action	= slow action		
= slow action, make before break	= slow action, shifted	= slow action, shifted and spaced	= slow action, independent	= slow action, close	= electronic, PNP			
2	R FP 215-M2	2x(1NO-1NC)	FP 216-M2	2x(1NO-1NC)	FP 218-M2	2x(1NO-1NC)	FP 219-M2	2x(1NO-1NC)
5	R FP 515-M2	1NO+1NC	FP 516-M2	1NO+1NC	FP 518-M2	1NO+1NC	FP 519-M2	1NO+1NC
6	L FP 615-M2	1NO+1NC	FP 616-M2	1NO+1NC	FP 618-M2	1NO+1NC	FP 619-M2	1NO+1NC
7	LO FP 715-M2	1NO+1NC	FP 716-M2	1NO+1NC	FP 718-M2	1NO+1NC	FP 719-M2	1NO+1NC
9	L FP 915-M2	2NC	FP 916-M2	2NC	FP 918-M2	2NC	FP 919-M2	2NC
10	L FP 1015-M2	2NO	FP 1016-M2	2NO	FP 1018-M2	2NO	FP 1019-M2	2NO
11	R FP 1115-M2	2NC	FP 1116-M2	2NC	FP 1118-M2	2NC	FP 1119-M2	2NC
12	R FP 1215-M2	2NO	FP 1216-M2	2NO	FP 1218-M2	2NO	FP 1219-M2	2NO
13	LV FP 1315-M2	2NC	FP 1316-M2	2NC	FP 1318-M2	2NC	FP 1319-M2	2NC
14	LS FP 1415-M2	2NC	FP 1416-M2	2NC	FP 1418-M2	2NC	FP 1419-M2	2NC
15	LS FP 1515-M2	2NO	FP 1516-M2	2NO	FP 1518-M2	2NO	FP 1519-M2	2NO
18	LA FP 1815-M2	1NO+1NC	FP 1816-M2	1NO+1NC	FP 1818-M2	1NO+1NC	FP 1819-M2	1NO+1NC
20	L FP 2015-M2	1NO+2NC	FP 2016-M2	1NO+2NC	FP 2018-M2	1NO+2NC	FP 2019-M2	1NO+2NC
21	L FP 2115-M2	3NC	FP 2116-M2	3NC	FP 2118-M2	3NC	FP 2119-M2	3NC
22	L FP 2215-M2	2NO+1NC	FP 2216-M2	2NO+1NC	FP 2218-M2	2NO+1NC	FP 2219-M2	2NO+1NC
E1	A FP E115-M2	1NO-1NC	FP E116-M2	1NO-1NC	FP E118-M2	1NO-1NC	FP E119-M2	1NO-1NC
Max. speed	page 227 - type 2		page 227 - type 2		page 227 - type 4		page 227 - type 4	
Actuating force	11 N (25 N		8 N (25 N		8 N (25 N		8 N (25 N	
Travel diagrams	page 228 - group 1		page 228 - group 1		page 228 - group 1		page 228 - group 1	

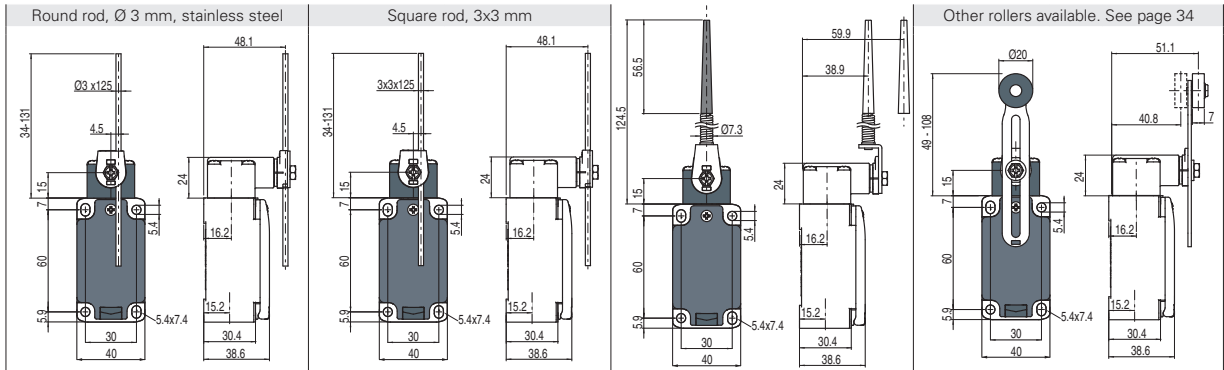
Contact type	External gasket		External gasket		External gasket		Other rollers available. See page 34	
	= snap action	= slow action	= slow action, make before break	= slow action, shifted	= slow action, shifted and spaced	= slow action, independent	= slow action, close	= electronic, PNP
2	R FP 220-M2	2x(1NO-1NC)	FP 221-M2	2x(1NO-1NC)	FP 225-M2	2x(1NO-1NC)	FP 231-M2	2x(1NO-1NC)
5	R FP 520-M2	1NO+1NC	FP 521-M2	1NO+1NC	FP 525-M2	1NO+1NC	FP 531-M2	1NO+1NC
6	L	/	/	/	/	/	FP 631-M2	1NO+1NC
7	LO	/	/	/	/	/	FP 731-M2	1NO+1NC
9	L	/	/	/	/	/	FP 931-M2	2NC
10	L FP 1020-M2	2NO	FP 1021-M2	2NO	FP 1025-M2	2NO	FP 1031-M2	2NO
11	R	/	/	/	/	/	FP 1131-M2	2NC
12	R	/	/	/	/	/	FP 1231-M2	2NO
13	LV	/	/	/	/	/	FP 1331-M2	2NC
14	LS	/	/	/	/	/	FP 1431-M2	2NC
15	LS	/	/	/	/	/	FP 1531-M2	2NO
16	LI	/	/	/	/	/	FP 1631-M2	2NC
18	LA FP 1820-M2	1NO+1NC	FP 1821-M2	1NO+1NC	FP 1825-M2	1NO+1NC	FP 1831-M2	1NO+1NC
20	L FP 2020-M2	1NO+2NC	FP 2021-M2	1NO+2NC	FP 2025-M2	1NO+2NC	FP 2031-M2	1NO+2NC
21	L FP 2120-M2	3NC	FP 2121-M2	3NC	FP 2125-M2	3NC	FP 2131-M2	3NC
22	L FP 2220-M2	2NO+1NC	FP 2221-M2	2NO+1NC	FP 2225-M2	2NO+1NC	FP 2231-M2	2NO+1NC
E1	A FP E120-M2	1NO-1NC	FP E121-M2	1NO-1NC	FP E125-M2	1NO-1NC	FP E131-M2	1NO-1NC
Max. speed	1 m/s		1 m/s		1 m/s		page 227 - type 1	
Actuating force	0.09 Nm		0.08 Nm		0.14 Nm		0.1 Nm (0.25 Nm	
Travel diagrams	page 228 - group 3		page 228 - group 3		page 228 - group 3		page 228 - group 4	

All values in the drawings are in mm

Accessories See page 207

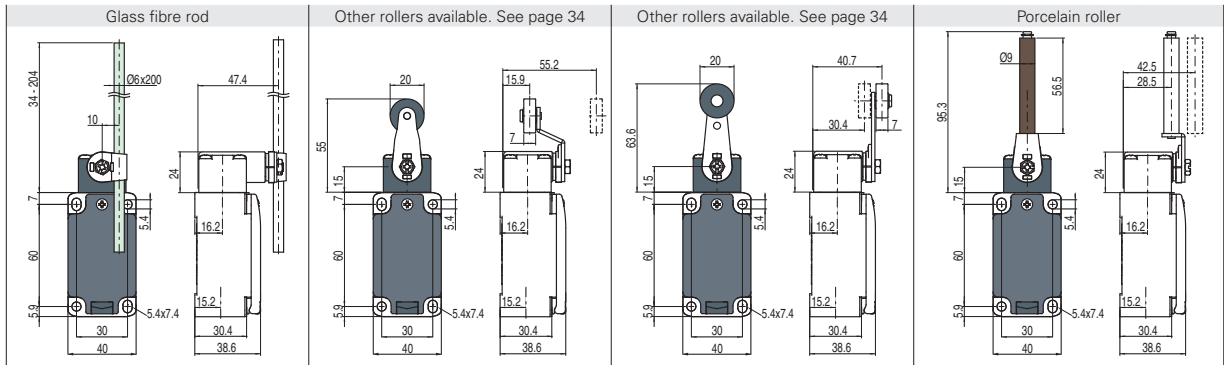
→ The 2D and 3D files are available at www.pizzato.com

- Contact type
- R** = snap action
 - L** = slow action
 - LO** = slow action, make before break
 - LS** = slow action, shifted
 - LV** = slow action, shifted and spaced
 - LI** = slow action, independent
 - LA** = slow action, close
 - ⏏** = electronic, PNP



Contact block	Round rod, Ø 3 mm, stainless steel	Square rod, 3x3 mm	Other rollers available. See page 34
2	R FP 232-M2 2x(1NO-1NC)	FP 233-M2 2x(1NO-1NC)	FP 234-M2 2x(1NO-1NC)
5	R FP 532-M2 1NO+1NC	FP 533-M2 1NO+1NC	FP 534-M2 1NO+1NC
6	L FP 632-M2 1NO+1NC	FP 633-M2 1NO+1NC	FP 634-M2 1NO+1NC
7	LO FP 732-M2 1NO+1NC	FP 733-M2 1NO+1NC	FP 734-M2 1NO+1NC
9	L FP 932-M2 2NC	FP 933-M2 2NC	FP 934-M2 2NC
10	L FP 1032-M2 2NO	FP 1033-M2 2NO	FP 1034-M2 2NO
11	R FP 1132-M2 2NC	FP 1133-M2 2NC	FP 1134-M2 2NC
12	R FP 1232-M2 2NO	FP 1233-M2 2NO	FP 1234-M2 2NO
13	LV FP 1332-M2 2NC	FP 1333-M2 2NC	FP 1334-M2 2NC
14	LS FP 1432-M2 2NC	FP 1433-M2 2NC	FP 1434-M2 2NC
15	LS FP 1532-M2 2NO	FP 1533-M2 2NO	FP 1534-M2 2NO
16	LI FP 1632-M2 2NC	FP 1633-M2 2NC	FP 1634-M2 2NC
18	LA FP 1832-M2 1NO+1NC	FP 1833-M2 1NO+1NC	FP 1834-M2 1NO+1NC
20	L FP 2032-M2 1NO+2NC	FP 2033-M2 1NO+2NC	FP 2034-M2 1NO+2NC
21	L FP 2132-M2 3NC	FP 2133-M2 3NC	FP 2134-M2 3NC
22	L FP 2232-M2 2NO+1NC	FP 2233-M2 2NO+1NC	FP 2234-M2 2NO+1NC
E1	⏏ FP E132-M2 1NO-1NC	FP E133-M2 1NO-1NC	FP E134-M2 1NO-1NC
Max. speed	1.5 m/s	1.5 m/s	1 m/s
Actuating force	0.1 Nm	0.1 Nm	0.1 Nm
Travel diagrams	page 228 - group 4	page 228 - group 4	page 228 - group 4

- Contact type
- R** = snap action
 - L** = slow action
 - LO** = slow action, make before break
 - LS** = slow action, shifted
 - LV** = slow action, shifted and spaced
 - LI** = slow action, independent
 - LA** = slow action, close
 - ⏏** = electronic, PNP



Contact block	Glass fibre rod	Other rollers available. See page 34	Other rollers available. See page 34	Porcelain roller
2	R FP 236-M2 2x(1NO-1NC)	FP 251-M2 2x(1NO-1NC)	FP 252-M2 2x(1NO-1NC)	FP 253-E11M2 2x(1NO-1NC)
5	R FP 536-M2 1NO+1NC	FP 551-M2 1NO+1NC	FP 552-M2 1NO+1NC	FP 553-E11M2V9 1NO+1NC
6	L FP 636-M2 1NO+1NC	FP 651-M2 1NO+1NC	FP 652-M2 1NO+1NC	FP 653-E11M2V9 1NO+1NC
7	LO FP 736-M2 1NO+1NC	FP 751-M2 1NO+1NC	FP 752-M2 1NO+1NC	FP 753-E11M2V9 1NO+1NC
9	L FP 936-M2 2NC	FP 951-M2 2NC	FP 952-M2 2NC	FP 953-E11M2V9 2NC
10	L FP 1036-M2 2NO	FP 1051-M2 2NO	FP 1052-M2 2NO	FP 1053-E11M2V9 2NO
11	R FP 1136-M2 2NC	FP 1151-M2 2NC	FP 1152-M2 2NC	/
12	R FP 1236-M2 2NO	FP 1251-M2 2NO	FP 1252-M2 2NO	FP 1253-E11M2V9 2NO
13	LV FP 1336-M2 2NC	FP 1351-M2 2NC	FP 1352-M2 2NC	FP 1353-E11M2V9 2NC
14	LS FP 1436-M2 2NC	FP 1451-M2 2NC	FP 1452-M2 2NC	FP 1453-E11M2V9 2NC
15	LS FP 1536-M2 2NO	FP 1551-M2 2NO	FP 1552-M2 2NO	FP 1553-E11M2V9 2NO
16	LI FP 1636-M2 2NC	/	/	/
18	LA FP 1836-M2 1NO+1NC	FP 1851-M2 1NO+1NC	FP 1852-M2 1NO+1NC	FP 1853-E11M2V9 1NO+1NC
20	L FP 2036-M2 1NO+2NC	FP 2051-M2 1NO+2NC	FP 2052-M2 1NO+2NC	FP 2053-E11M2V9 1NO+2NC
21	L FP 2136-M2 3NC	FP 2151-M2 3NC	FP 2152-M2 3NC	FP 2153-E11M2V9 3NC
22	L FP 2236-M2 2NO+1NC	FP 2251-M2 2NO+1NC	FP 2252-M2 2NO+1NC	FP 2253-E11M2V9 2NO+1NC
E1	⏏ FP E136-M2 1NO-1NC	FP E151-M2 1NO-1NC	FP E152-M2 1NO-1NC	FP E153-E11M2V9 1NO-1NC
Max. speed	1.5 m/s	page 227 - type 1	page 227 - type 1	0.5 m/s
Actuating force	0.1 Nm	0.06 Nm (0.25 Nm)	0.06 Nm (0.25 Nm)	0.03 Nm (0.25 Nm)
Travel diagrams	page 228 - group 4	page 228 - group 4	page 228 - group 4	page 228 - group 5

(1) Apertura positiva solo con azionatore regolato al massimo. Vedere pagina 34.

All values in the drawings are in mm

Accessories See page 207

→ The 2D and 3D files are available at www.pizzato.com



Contact type	Other rollers available. See page 34		Other rollers available. See page 34		With stainless steel rollers on request		With stainless steel rollers on request		
<ul style="list-style-type: none"> R = snap action L = slow action LO = slow action, make before break LS = slow action, shifted LV = slow action, shifted and spaced LI = slow action, independent LA = slow action, close A = electronic, PNP 									
Contact block									
2	R	FP 256-M2	2x(1NO-1NC)	FP 257-M2	2x(1NO-1NC)	/	/		
5	R	FP 556-M2	1NO+1NC	FP 557-M2	1NO+1NC	FP 541-M2	1NO+1NC	FP 542-M2	
6	L	FP 656-M2	1NO+1NC	FP 657-M2	1NO+1NC	Bistable switch with lyra lever, single track		Bistable switch with lyra lever, dual track	
7	LO	FP 756-M2	1NO+1NC	FP 757-M2	1NO+1NC				
9	L	FP 956-M2	2NC	FP 957-M2	2NC				
10	L	FP 1056-M2	2NO	FP 1057-M2	2NO				
11	R	FP 1156-M2	2NC	FP 1157-M2	2NC				
12	R	FP 1256-M2	2NO	FP 1257-M2	2NO				
13	LV	FP 1356-M2	2NC	FP 1357-M2	2NC				
14	LS	FP 1456-M2	2NC	FP 1457-M2	2NC				
15	LS	FP 1556-M2	2NO	FP 1557-M2	2NO				
16	LI	FP 1656-M2	2NC	FP 1657-M2	2NC				
18	LA	FP 1856-M2	1NO+1NC	FP 1857-M2	1NO+1NC				
20	L	FP 2056-M2	1NO+2NC	FP 2057-M2	1NO+2NC				
21	L	FP 2156-M2	3NC	FP 2157-M2	3NC				
22	L	FP 2256-M2	2NO+1NC	FP 2257-M2	2NO+1NC				
E1	A	FP E156-M2	1NO-1NC	FP E157-M2	1NO-1NC				
Max. speed	page 227 - type 1		page 227 - type 1		0.5 m/s with cam at 30°		0.5 m/s with cam at 30°		
Actuating force	0.1 Nm (0.25 Nm ⊕)		0.1 Nm (0.25 Nm ⊕)		0.21 Nm (0.36 Nm ⊕)		0.21 Nm (0.36 Nm ⊕)		
Travel diagrams	page 228 - group 4		page 228 - group 4		/		/		

Contact type	Rope switch for signalling		
<ul style="list-style-type: none"> R = snap action L = slow action LO = slow action, make before break LS = slow action, shifted LV = slow action, shifted and spaced LI = slow action, independent LA = slow action, close A = electronic, PNP 			
Contact block			
2	R	FP 276-M2	2x(1NO-1NC)
5	R	FP 576-M2	1NO+1NC
6	L	FP 676-M2	1NO+1NC
7	LO	FP 776-M2	1NO+1NC
9	L	FP 976-M2	2NO
10	L	FP 1076-M2	2NC
11	R	FP 1176-M2	2NO
12	R	FP 1276-M2	2NC
13	LV	FP 1376-M2	2NO
14	LS	FP 1476-M2	2NO
15	LS	FP 1576-M2	2NC
16	LI	/	
18	LA	FP 1876-M2	1NO+1NC
20	L	FP 2076-M2	2NO+1NC
21	L	FP 2176-M2	3NO
22	L	FP 2276-M2	1NO+2NC
E1	A	/	
Max. speed	0.5 m/s		
Actuating force	initial 20 N - final 40 N		
Travel diagrams	page 228 - group 6		

All values in the drawings are in mm

Accessories See page 207

→ The 2D and 3D files are available at www.pizzato.com

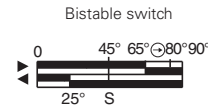
Position switches with swivelling lever without actuator

- Contact type
- R** = snap action
 - L** = slow action
 - LO** = slow action, make before break
 - LS** = slow action, shifted
 - LV** = slow action, shifted and spaced
 - LI** = slow action, independent
 - LA** = slow action, close
 - A** = electronic, PNP

Contact block

	Regular head	Compact head	
2	R FP 238-M2 2x(1NO-1NC)	R FP 258-M2 2x(1NO-1NC)	/
5	R FP 538-M2 \rightarrow 1NO+1NC	R FP 558-M2 \rightarrow 1NO+1NC	FP 540-M2 \rightarrow 1NO+1NC
6	L FP 638-M2 \rightarrow 1NO+1NC	L FP 658-M2 \rightarrow 1NO+1NC	
7	LO FP 738-M2 \rightarrow 1NO+1NC	LO FP 758-M2 \rightarrow 1NO+1NC	
9	L FP 938-M2 \rightarrow 2NC	L FP 958-M2 \rightarrow 2NC	
10	L FP 1038-M2 2NO	L FP 1058-M2 2NO	
11	R FP 1138-M2 \rightarrow 2NC	R FP 1158-M2 \rightarrow 2NC	
12	R FP 1238-M2 2NO	R FP 1258-M2 2NO	
13	LV FP 1338-M2 \rightarrow 2NC	LV FP 1358-M2 \rightarrow 2NC	
14	LS FP 1438-M2 \rightarrow 2NC	LS FP 1458-M2 \rightarrow 2NC	
15	LS FP 1538-M2 2NO	LS FP 1558-M2 2NO	
16	LI FP 1638-M2 \rightarrow 2NC	/	
18	LA FP 1838-M2 \rightarrow 1NO+1NC	LA FP 1858-M2 \rightarrow 1NO+1NC	
20	L FP 2038-M2 \rightarrow 1NO+2NC	L FP 2058-M2 \rightarrow 1NO+2NC	
21	L FP 2138-M2 3NC	L FP 2158-M2 3NC	
22	L FP 2238-M2 \rightarrow 2NO+1NC	L FP 2258-M2 \rightarrow 2NO+1NC	
E1	A FP E138-M2 1NO-1NC	A FP E158-M2 1NO-1NC	
Actuating force	0.1 Nm (0.25 Nm \rightarrow)	0.06 Nm (0.25 Nm \rightarrow)	0.21 Nm (0.36 Nm \rightarrow)
Travel diagrams	page 228 - group 4	page 228 - group 4	/

IMPORTANT
For safety applications: join only switches and actuators marked with symbol \rightarrow next to the product code.
 For more information about safety applications see details on page 225.



S = mechanical switching point
 positive opening on contacts 21-22 only

Separate actuators

IMPORTANT: These separate actuators can be used only with items of the FD, FP, FL, FC series.

Technopolymer roller Ø 20 mm	Adjustable round rod Ø 3x125 mm	Adjustable square rod, 3x3x125 mm	Spring rod with plastic tip	Adjustable actuator with technopolymer roller	Adjustable glass fibre rod	
VF L31 \rightarrow	VF L32 \rightarrow (3)	VF L33 \rightarrow (3)	VF L34	VF L35 \rightarrow (1) (3)	VF L36 \rightarrow (3)	
Lyra actuator, single track	Lyra actuator, dual track	Technopolymer roller, Ø 20 mm	Technopolymer roller, Ø 20 mm	Porcelain roller	Adjustable safety actuator with technopolymer roller	Technopolymer roller, Ø 20 mm
VF L41 \rightarrow	VF L42 \rightarrow	VF L51 \rightarrow	VF L52 \rightarrow	VF L53 \rightarrow (2)	VF L56 \rightarrow (3)	VF L57 \rightarrow

All values in the drawings are in mm

Accessories See page 207

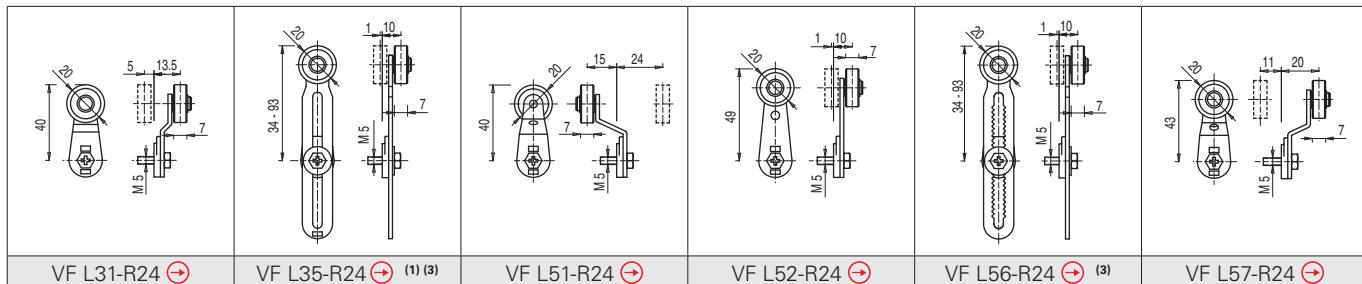
The 2D and 3D files are available at www.pizzato.com



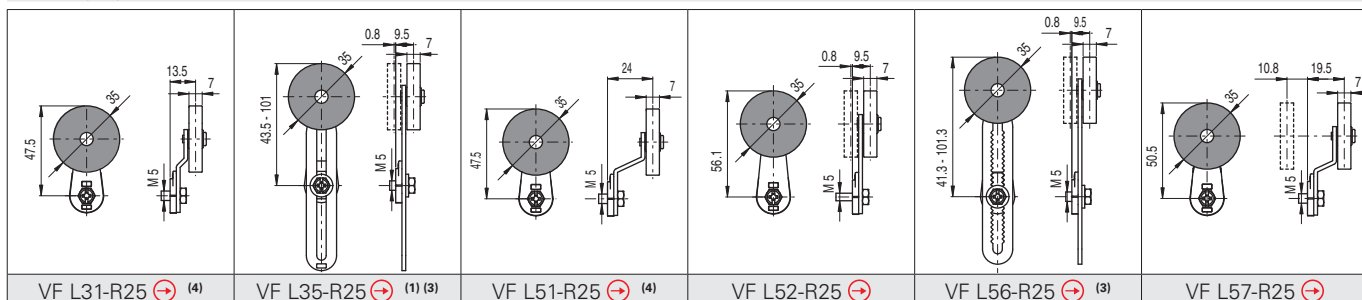
Special separate actuators

IMPORTANT: These separate actuators can be used only with items of the FD, FP, FL, FC series.

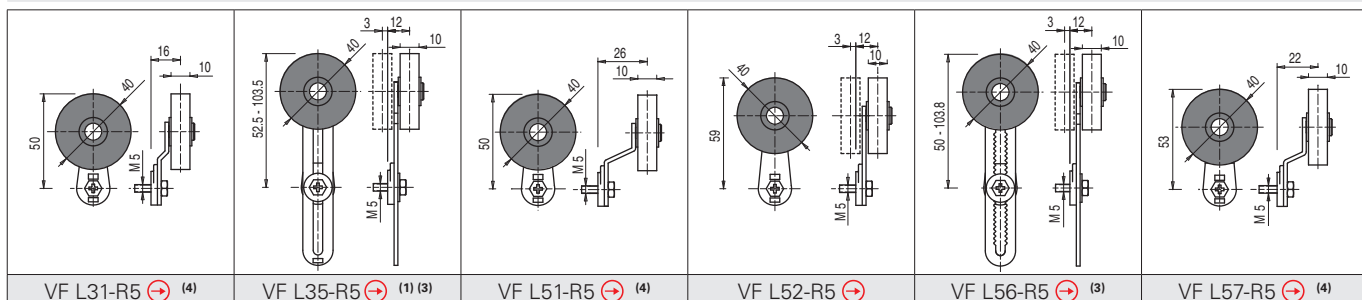
Stainless steel rollers, \varnothing 20 mm



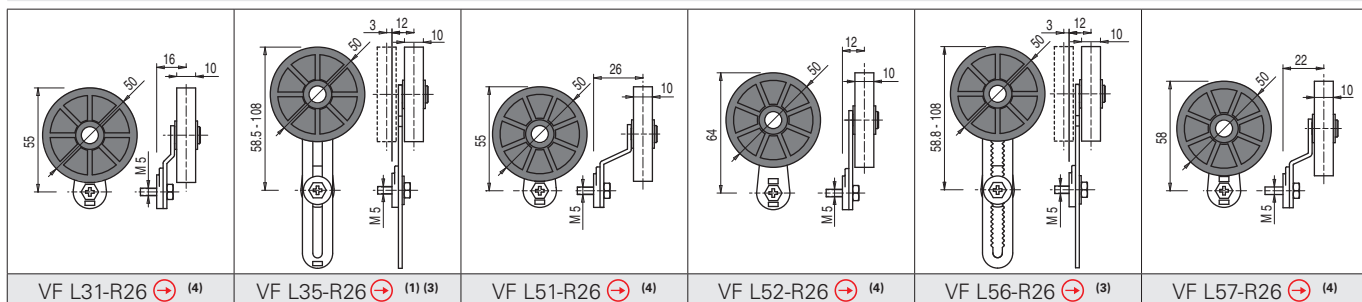
Technopolymer rollers, \varnothing 35 mm



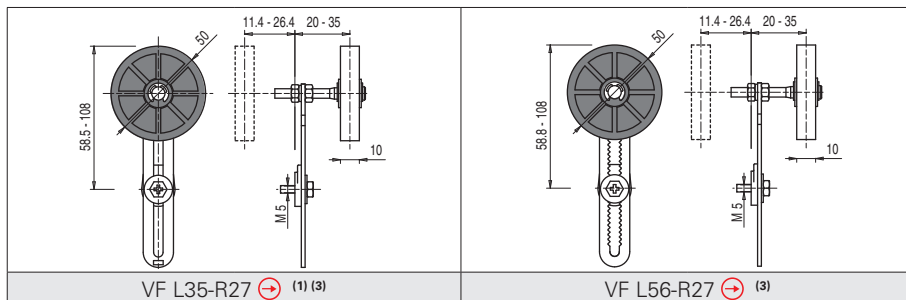
Rubber rollers, \varnothing 40 mm



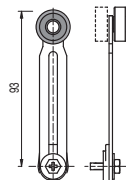
Rubber rollers, \varnothing 50 mm



Protruding rubber rollers, \varnothing 50 mm



- (1) Lever VF L35 can only be used in safety applications if adjusted to its max. length, as shown in the figure to the right. If an adjustable lever is required for safety applications, use the VF L56 adjustable safety lever.
- (2) The position switch obtained by assembling switch FP •58-M2 (e.g. FP 558-M2, FP 658-M2, ...) with actuator VF L53 will not present the same travel diagrams and actuating forces as switch FP •53-E11M2V9 (e.g. FP 553-E11M2V9, FP 653-E11M2V9, ...)
- (3) If installed with switch FP •58-M2 (e.g. FP 558-M2, FP 658-M2, ...) the actuator may hit the housing of the switch upon actuation. This possible interference depends on the fixing position of actuator and switch head.
- (4) The actuator cannot be rotated to the inside because it will hit the switch head upon actuation.



All values in the drawings are in mm

Accessories See page 207

→ The 2D and 3D files are available at www.pizzato.com