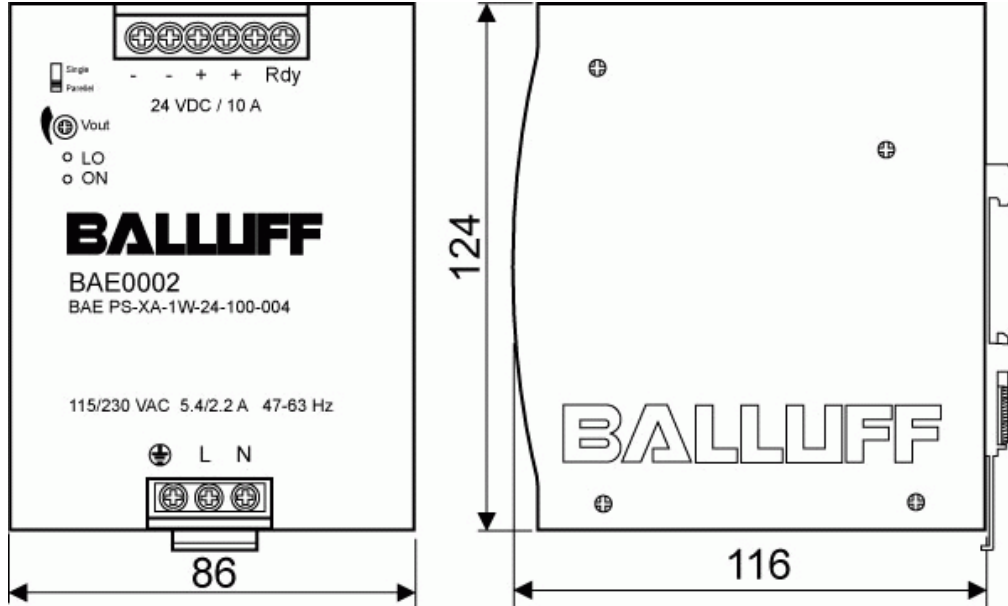


**BAE PS-XA-1W-24-100-004**  
**Ordercode BAE0002**

**Single phase**  
**10 A**

**BALLUFF**  
*sensors worldwide*



**Electrical data:**

Isolation resistance	100 MΩ
Input voltage	115/230 AC (auto select) V
Output current	10 A
Isolation voltage	3000 AC V
Start-up time	< 1 s
Ripple and noise	100 mV
Switching frequency	> 80 kHz
Output wattage	240 VA
Output voltage	24 DC V
Inrush current	115 V AC < 30 A / 230 V AC < 60 A
Line frequency	47...63 Hz
Input fuse	T6.3 A / 250 V AC internal
Voltage trim range	22.5...28.5 DC V
Hold-up time	115 V AC > 25 ms / 230 V AC > 30 ms
Input voltage range	93...132 V AC; 186...264 V AC / 210...370 V DC
Parallel switch mode	Yes

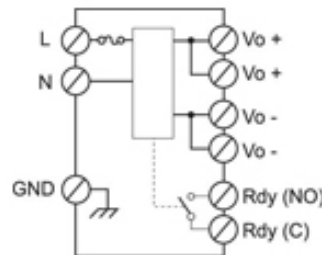
**Mechanical data:**

Temperature coefficient	±0.02 % / °C
Ambient temperature max.	+71 °C
Ambient temperature min.	-25 °C
Housing material	Metal
Weight	1 kg
Derating	-2.5 % / °C from +61 °C

**General data:**

DC ON indicator	Green LED
Output short circuit	Current limited
Degree of protection per IEC 60529	IP 20
Approvals	CE, UL/cUL, TUV
Type	Single phase
DC LOW indicator	Red LED
Efficiency	89 %
Ready output	DC OK output relay
Cooling	Air free convection

**Wiring:**



[www.balluff.com](http://www.balluff.com)

Balluff Europe: +49 7158 173 -0  
 Balluff USA: 1-800-54 3-83 90  
 Balluff Asia: +86 21-50 64 41 31

Online Productinformation  
 2009-02-20