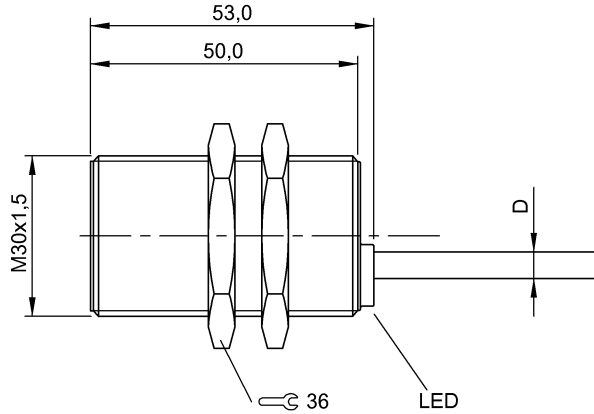


BES M30MI-PSC15B-BV02
Ordering code: BES00AA

Inductive sensor
 Global
 M30x53 mm

DC, direct current
 PNP/Normally open (NO)
 Sn = 15 mm
 Flush (shielded)
 ■■

BALLUFF
 sensors worldwide



Characteristic data

Assured operating distance Sa	12,2
Eff. switching distance Sr	15,00 mm
Tolerance Sr	±10 %
Hysteresis H max. (in % of Sr)	15 %
Repeat accur. R max. (% of Sr)	5 %
Ambient temperature	-25...70 °C
Temp. drift max. (% of Sr)	10%
Switching freq. f max.	100 Hz
Ready delay tv max.	15 ms
Utilisation category	DC 13
Function indicator	Yes
Power-on indicator	No
Short-circuit protected	Yes
Protected against polarity reversal	Yes
Protected against reverse connection	Yes
Degree of protection as per IEC 60529	IP67
Protection class	II

Electrical data

Operating voltage	10...30 V DC
Ripple max. (% of Ue)	15
Rated operating voltage Ue DC	24,0 V
Voltage drop static max.	2,5 V
Rated insulation voltage Ui	250 AC
Effective operating current Ie	200 mA
No-load current Io damped	10 mA
No-load current Io undamped	5 mA
Off-state current Ir max.	10 µA

Minimum operating current Im	0 mA
Rated short circuit current	100 A
Output resistance Ra	33.0k + D
Load capacitance max. (at Ue)	0,5 µF

Mechanical data

Connection type	Cable
Cable diameter D max.	4,6
Cable short designation	LiY-Y-O
Cable length	2 m
Number of conductors	3
Conductor cross-section	0.34 mm ²
Housing material	CuZn
Surface protection	Nickel-free coating
Sensing surface material	PA 12
Cable jacket material	PVC
Mounting length	50 mm
Shock rating	Shock, half-sinus, 30 gn, 11ms
Vibration rating	55 Hz, 1 mm ampl., 3x30 min
Degree of contamination	3
Tightening torque max.	70 Nm

Basic data

Basic standard	IEC 60947-5-2
----------------	---------------

Remarks

The sensor is functional again after the overload has been eliminated.
 Embeddable: See installation notes for inductive sensors with extended switching distance 825357.



Definitions see main catalog

BES M30MI-PSC15B-BV02
Ordering code: BES00AA

Inductive sensor
Global
M30x53 mm

DC, direct current
PNP/Normally open (NO)
Sn = 15 mm
Flush (shielded)
■ ■

BALLUFF
sensors worldwide

subject to change

