

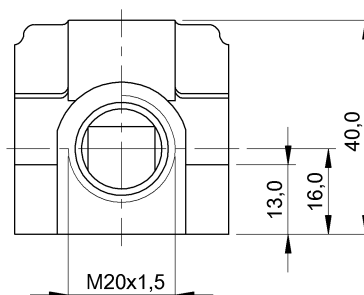
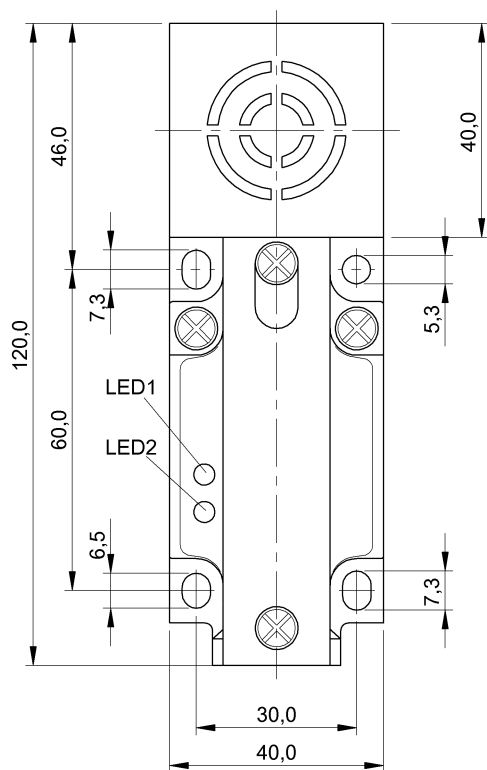
**BES 517-132-M3-H**  
**Ordering code: BES0201**

Inductive sensor  
 40x120x40 mm

DC, direct current  
 PNP/NO/NC  
 Sn = 15 mm  
 Flush (shielded)

**BALLUFF**

sensors worldwide



**Characteristic data**

Eff. switching distance Sr	15 mm
Tolerance Sr	±10 %
Assured operating distance Sa	12 mm
Hysteresis H max. (in % of Sr)	20 %
Repeat accur. R max. (% of Sr)	5 %
Ambient temperature	-25...70 °C
Temp. drift max. (% of Sr)	10%
Switching freq. f max.	100 Hz
Ready delay tv max.	30 ms
Utilisation category	DC 13
Function indicator	Yes
Power-on indicator	Yes
Short-circuit protected	Yes
Degree of protection as per IEC 60529	IP67
Protection class	II
Protected against polarity reversal	Yes
Protected against reverse connection	Yes

**Electrical data**

Operating voltage	
Rated operating voltage Ue DC	24 V
Ripple max. (% of Ue)	15 %
Voltage drop static max.	2,5 V
Rated insulation voltage Ui	250 AC V
Effective operating current Ie	200 mA
No-load current Io undamped	20 mA

No-load current Io undamped	15 mA
Off-state current Ir max.	80 µA
Minimum operating current Im	0 mA
Rated short circuit current	100 A
Output resistance Ra	33.0k + D
Load capacitance max. (at Ue)	1 µF
Principle of operation	Inductive

**Mechanical data**

Housing material	PBT
Sensing surface material	PBT
Tightening torque max.	4-5 Nm (M20x1.5)
Wire cross-section max.	2.5 mm²
Tightening torque for clamping	0,8 Nm
Connection type	Screw terminal
Shock rating	Shock, half-sinus, 30 gn, 11ms
Vibration rating	55 Hz, 1 mm ampl., 3x30 min
Degree of contamination	3
Cable gland thread size.	M20x1.5

**Basic data**

Basic standard	IEC 60947-5-2
----------------	---------------

**Remarks**

The sensor is functional again after the overload has been eliminated.  
 LED 1: Function; LED 2: Operating voltage

**BES 517-132-M3-H**  
**Ordering code: BES0201**  
Inductive sensor  
40x120x40 mm

DC, direct current  
PNP/NO/NC  
Sn = 15 mm  
Flush (shielded)

**BALLUFF**  
*sensors worldwide*



Definitions see main catalog

subject to change

