

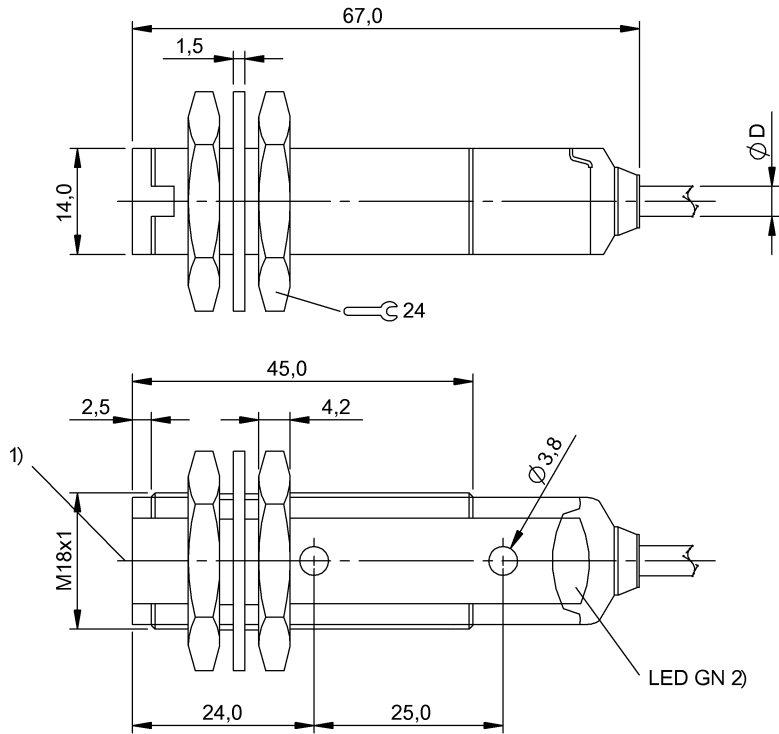
BLS 18KF-XX-1LT-L-02
Ordering code: BOS00EL

Through-beam sensor
 Series 18KF
 Working Range: 0...60 mm

Laser red light, Laserklasse 1
 DC, direct current

BALLUFF

sensors worldwide



1) Optical axis, 2) Power

Characteristic data

Operating voltage	10...30 V DC
Connection	Cable, 2m, PVC
Indicator	Power - LED GN
Input function	Test (Emitter off)
Reference receiver	BLE 18KF-...-1LT-...
Protected against polarity reversal	yes
Enclosure Type per IEC 60529	IP67
Protection class	II

Optical data

Principle of optical operation	Emitter
Light type	Laser red light
Wavelength	650 nm
Laser class per IEC 60825-1	1
Average power Po max.	< 390 µW (IEC 60825-1)

Electrical data

Rated operating voltage Ue DC	24 V
Rated insulation voltage Ui	75 V DC
Ripple max. (% of Ue)	8
No-load current max. Io at Ue	35 mA

Mechanical data

Operating range Ro	0...60 m
Range Sn	Sn = 60 m, adjustable
Cable length	2 m
Cable jacket material	PVC
Number of conductors	4
Cable diameter D max.	4
Conductor cross-section	0.14 mm ²
Sensing surface material	PMMA
Housing material	PBT
Mounting type	Nut M18x1
Design	Screw M3
Ambient temperature	Flat cylinder, straight optics
Tightening torque	-10...50 °C
	1.5 Nm

Basic data

Basic standard	IEC 60947-5-2
For additional information, refer to user's guide.	
Order accessories separately.	

BLS 18KF-XX-1LT-L-02
Ordering code: BOS00EL

Through-beam sensor
Series 18KF
Working Range: 0...60 mm

Laser red light, Laserklasse 1
DC, direct current

BALLUFF
sensors worldwide

