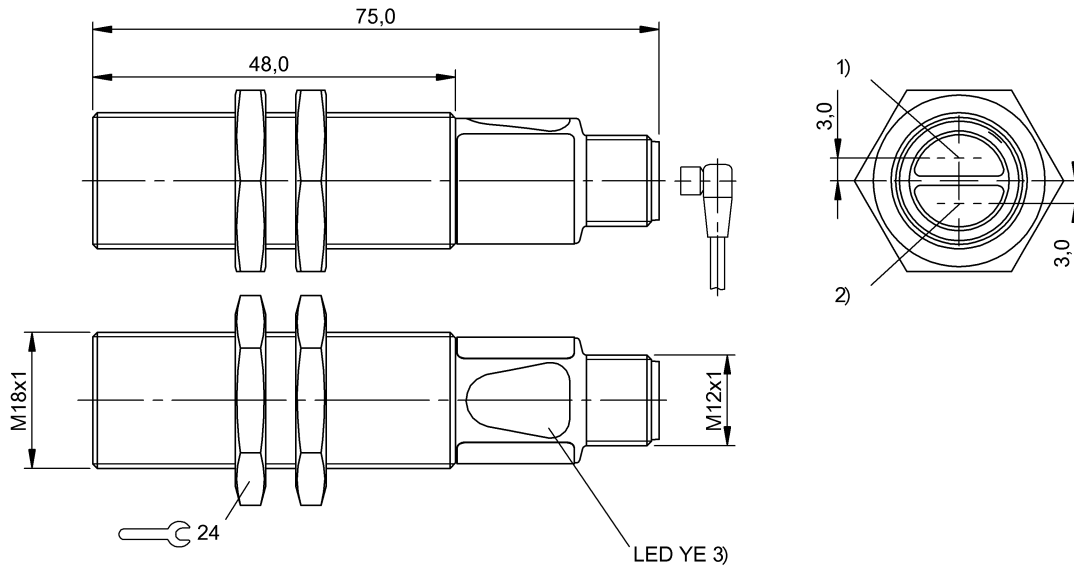
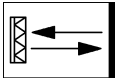


BOS 18M-PS-PR23-S4
Ordering code: BOS01F8

Retroreflective sensor
 Series 18M
 Working Range: 0...4 mm

PNP (1x), NO (pin 4)
 LED, red light
 DC, direct current

BALLUFF
sensors worldwide



1) Optical axis receiver, 2) Optical axis emitter, 3) Light reception/Limit range

Characteristic data

Operating voltage	10...30 V DC
Connection	Connector, M12x1-S04
Switching freq. f max.	400 Hz
Indicator	Light receipt - LED YE
Adjuster	No
Reference reflector	BOS R-1
Short-circuit protected	yes
Protected against polarity reversal	yes
Enclosure Type per IEC 60529	IP67
Protection class	II

Optical data

Principle of optical operation	Retro-reflective sensor
Switching function, optical	NO: dark-on
Light type	LED, red light
Wavelength	626 nm
Ambient light max.	10,000 Lux
Polarising filter	yes
LED group per IEC 62471	Risk group 1

Electrical data

Rated operating voltage Ue DC	24,0 V
Effective operating current Ie	100 mA
Rated insulation voltage Ui	75 V DC
Load capacitance max. (at Ue)	0,1 µF
Ripple max. (% of Ue)	15

Switching output	PNP (1x)
Switching function	NO (pin 4)
Turn-off delay toff max.	1,25 ms
Turn-on delay ton max.	1,25 ms
No-load current max. Io at Ue	30 mA
Voltage drop Ud max. (at Ie)	2,5 V

Mechanical data

Eff. switching distance Sr	4.000 mm
Operating range Ro	0...4 m
Beam characteristic	Divergent
Range Sn	Sn = 4 m
Connector type	M12x1-S04
Sensing surface material	Glass
Housing material	Brass
Oberflächenschutz	Nickel-plated
Mounting type	Nut M18x1
Design	Cylinder, straight optics
Ambient temperature	-5...55 °C

Basic data

Basic standard IEC 60947-5-2
 The sensor is functional again after the overload has been eliminated.
 Polarizing filters prevent spurious switching due to reflecting and shiny parts.
 For additional information, refer to user's guide.
 Order accessories separately.

BOS 18M-PS-PR23-S4
Ordering code: BOS01F8

Retroreflective sensor
Series 18M
Working Range: 0...4 mm

PNP (1x), NO (pin 4)
LED, red light
DC, direct current

BALLUFF
sensors worldwide

