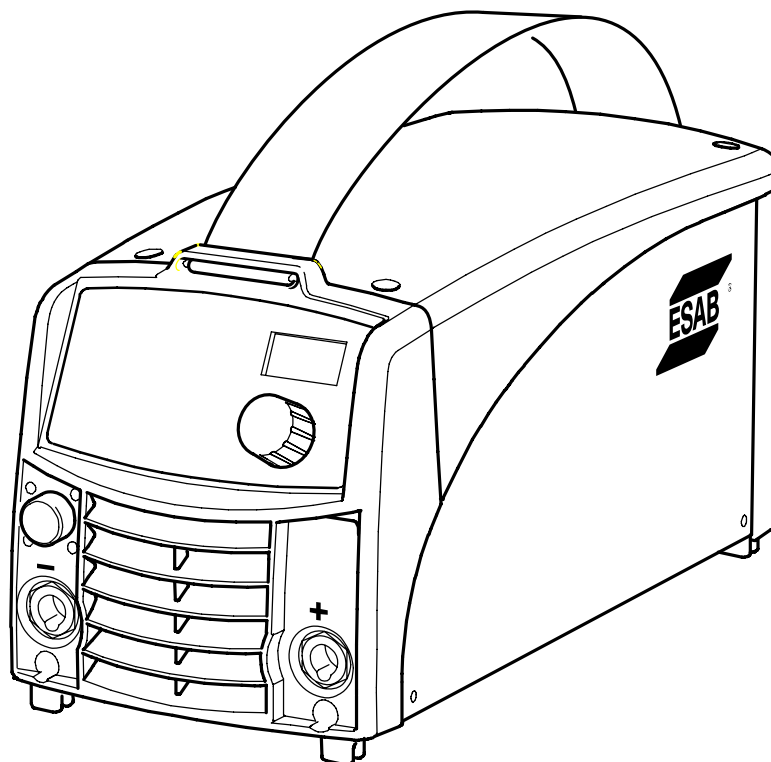


Spare parts list

Edition 091021



Valid for serial no. 810-xxx-xxx,

Ordering no. Product

0460 300 880 Caddy™ Arc 251i, A32

0460 300 881 Caddy™ Arc 251i, A34

Spare parts are to be ordered through the nearest ESAB agency. Kindly indicate type of unit, serial number, denominations and ordering numbers according to the spare parts list.

Maintenance and repair work should be performed by an experienced person, and electrical work only by a trained electrician. Use only recommended spare parts.

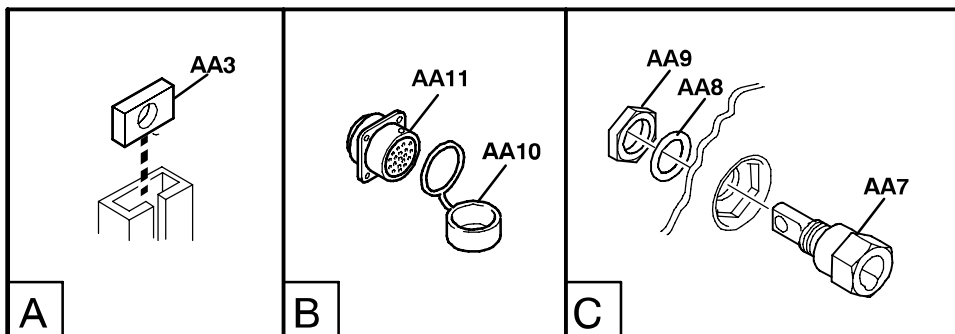
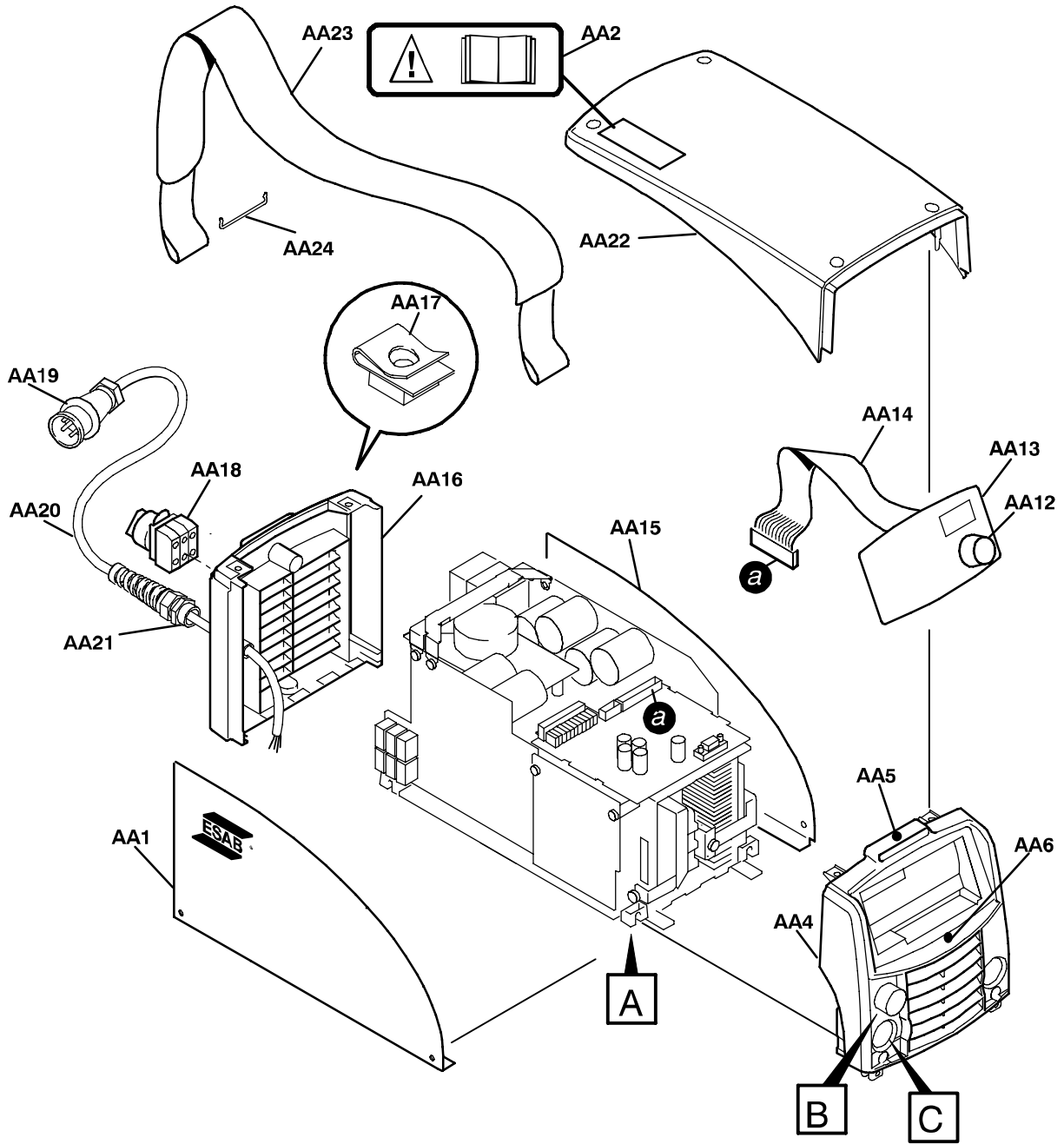
Rights reserved to alter specifications without notice.

C = component designation in the circuit diagram

Item	Qty	Ordering no.	Denomination	Notes	C
AA1	1	0460 479 001	Side cover	Left	
AA2	1	0458 950 001	Sign		
AA3	4	0366 588 001	Nut	4-K	
AA4	1		Front panel	Included in item AA50	
AA5	1	0459 184 005	Sticker	ESAB, included in item AA50	
AA6	1	0460 221 002	Label	Arc 251i	
AA7	2	0160 362 026	OKC 50 contact	Welding connection, Included in item AA50	XS1, XS2
AA8	2	0366 306 003	Spring washer	Ø 21/15 x 1, included in item AA50	
AA9	2	0366 247 001	Nut	6-k brass, included in item AA50	
AA10	1	0366 285 001	Protection cap	For 12-pole connection, included in item AA50	
AA11	1	0460 482 887	Cable with connection	Included in item AA50	29XS7
AA12	1	0460 600 528	Knob	Included in item AA13	
AA13	1	0460 250 883	MMC Module A32	Complete, configured	
	1	0460 250 885	MMC Module A34	Complete, configured	
	1	0460 420 001	Insulation sticker	Included in item AA13	
AA14	1	0193 700 711	Ribbon cable with connectors		1XS1, 1XS2
AA15	1	0460 479 002	Side cover	Right	
AA16	1	0460 140 002	Rear panel		
AA17	6	0469 381 002	Fast look nut	M5	
AA18	1	0460 424 880	Main switch	Complete	2QF1
AA19	1	0349 891 207	Motor plug		2XT1
AA20	1	0456 193 882	Mains cable	4G1.5 grounded	
AA21	1	0194 034 001	Ferrite core		2L1
AA22	1	0460 143 001	Cover		
AA23	1	0460 265 001	Strap		
AA24	2	0468 497 001	Holder		

SPARE PARTS SETS

Item	Qty	Ordering no.	Denomination	Notes
AA50	1	0460 379 885	Front complete	Includes items AA4, AA5, AA7, AA8, AA9, AA10 and AA11. When replacing "front complete" also item AA13, MMC module, must be replaced.



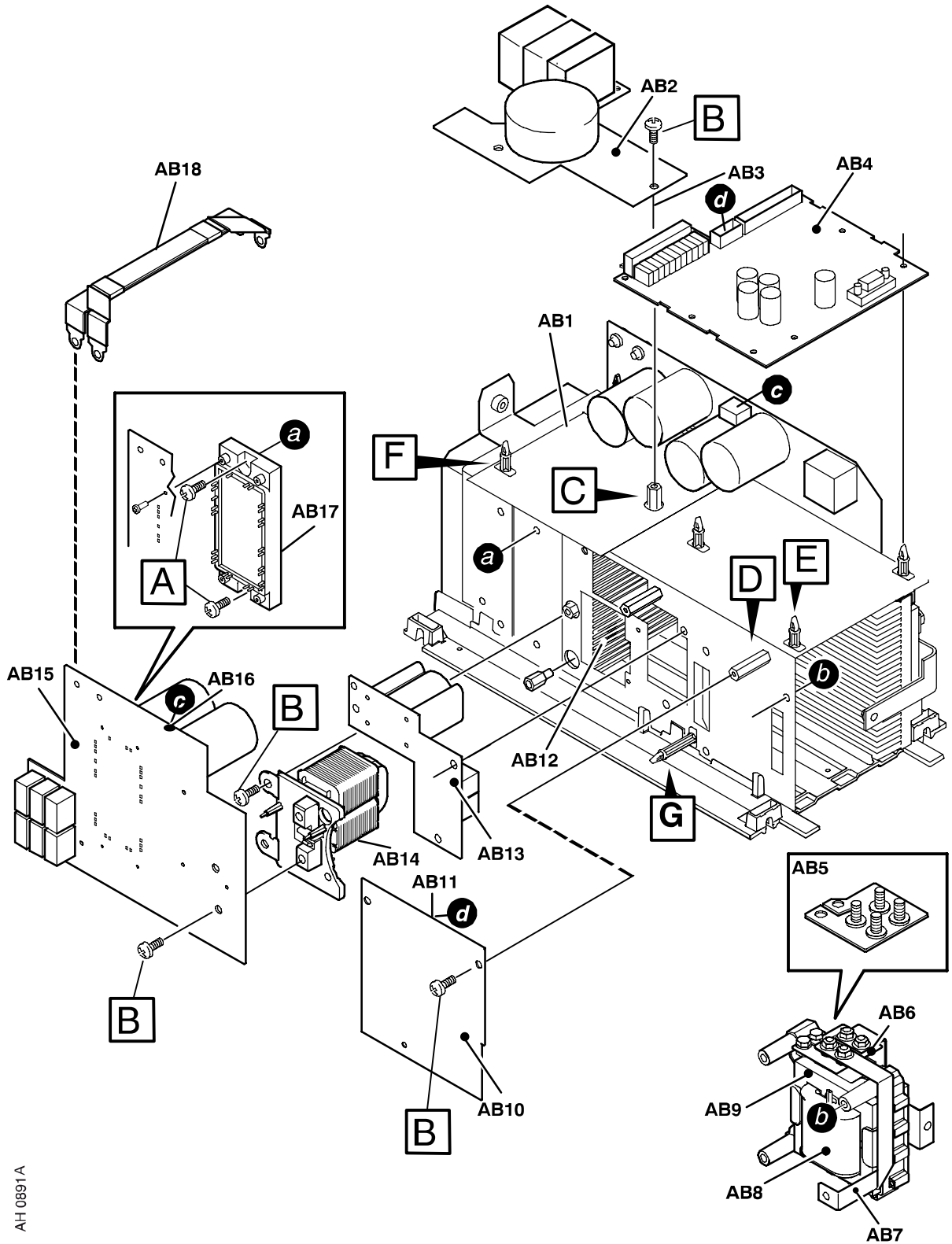
AH 0890

C = component designation in the circuit diagram

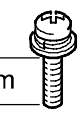
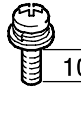

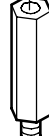



Item	Qty	Ordering no.	Denomination	Notes	C
AB1	1	0192 790 102	Circuit card holder		
AB2	1	0487 584 880	Printed circuit board	EMC board	2AP1
AB3	1	0194 034 002	Ferrite core		2L3
AB4	1	0487 599 885	Control module (VRD) digital	Control board configured for Arc 251i A32	20AP1
AB4	1	0487 599 886	Control module (VRD) digital	Control board configured for Arc 251i A34	20AP1
AB5	1	0457 304 880	Shunt	Included in item AB51	15RS1
AB6	2	0468 538 002	Current bar	Included in item AB51	
AB7	1	0460 423 001	Bar minus	Included in item AB51	
AB8	1		Coil inductor complete	Included in item AB51	15L2
AB9	2		Ferrit core	Included in item AB51	
AB10	1	0487 588 880	Printed circuit board	Power supply	2AP2
AB11	1	0193 700 719	Ribbon cable with connectors		20XS3, 20XS4
AB12	1	0460 312 001	Heat sink rectifier		
AB13	1	0487 618 880	Printed circuit board	LC filter	15AP2
AB14	1	0460 117 001	Inductor	PFC	17L1
AB15	1		Printed circuit board	PFC board, included in item AB50	17AP1
AB16	1	0193 700 717	Ribbon cable with connectors		17XS3, 17XS4
AB17	1		Primary module	Included in item AB50	
AB18	1	0460 501 001	Rail DC-buss		
AB19	1	0394 516 034	Spacing screw	M5x15	
AB20	2	0394 516 038	Spacing screw	M5x30	
AB21	4	0192 790 102	Spacer	6.3 mm	
AB22	2	0192 790 104	Spacer	12.7 mm	
AB23	1	0192 790 109	Spacer	28.6 mm	

SPARE PARTS SETS

Item	Qty	Ordering no.	Denomination	Notes
AB50	1	0460 653 881	PFC-board kit	Includes item AB14, AB15, AB17 screws (type A and B), 2 capacitors 470 µF, 2 capacitors 1 µF, thermal compound and roller
		0458 910 002	Roller handle	For the roller in the spare parts sets above
		0192 058 101	Thermal compound	
AB51	1	0460 328 880	Inductor secondary	Includes item AB5, AB6, AB7, AB8 and AB9



AH 0891A

 <p>16mm</p> <p>A M5x16</p>	 <p>10mm</p> <p>B M5x10</p>	<p>AB19</p>  <p>C</p>	<p>AB20</p>  <p>D</p>	<p>AB21</p>  <p>E</p>	<p>AB22</p>  <p>F</p>	<p>AB23</p>  <p>G</p>
---	---	---	---	--	---	---

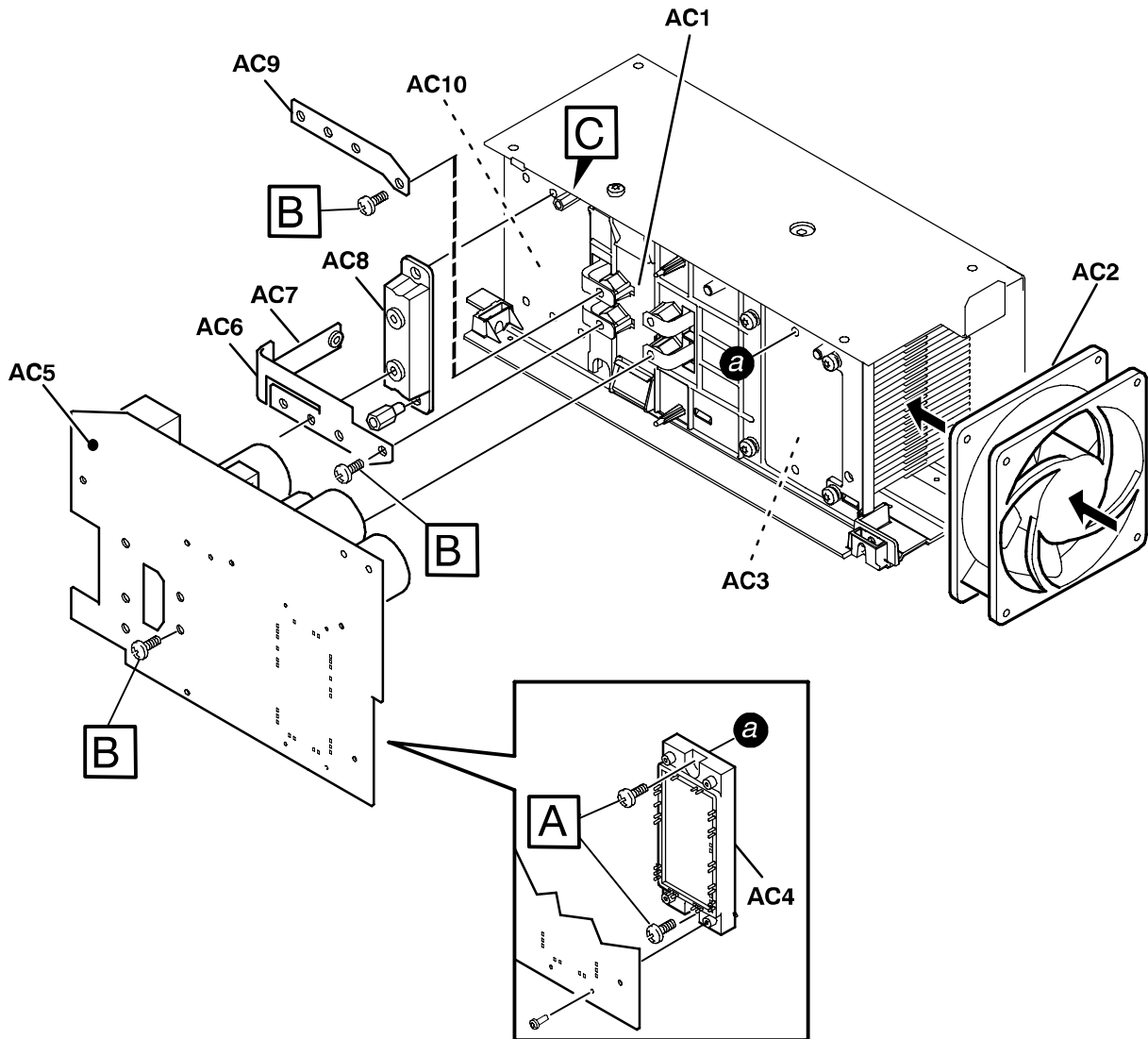
C = component designation in the circuit diagram

Item	Qty	Ordering no.	Denomination	Notes	C
AC1	1	0460 329 880	Transformer		15TM1
AC2	1	0460 414 001	Fan		15EV1
AC3	1	0460 312 001	Heat sink rectifier	Inverter	
AC4	1		Primary module	Included in AC50	
AC5	1		Printed circuit board	Power board, Included in AC50	15AP1
AC6	1	0460 484 001	Cu-bar		
AC7	1	0190 209 118	Hose	L =0.04 m, Ø 12 mm, To be ordered per metre	
AC8	3	0193 948 001	Diode module		15D1, 15D2, 15D3
AC9	1	0460 413 001	Rail, secondary		
AC10	1	0460 338 001	Heat sink for secondary diod		
AC11	1	0394 516 023	Distancescrew	M4x25	

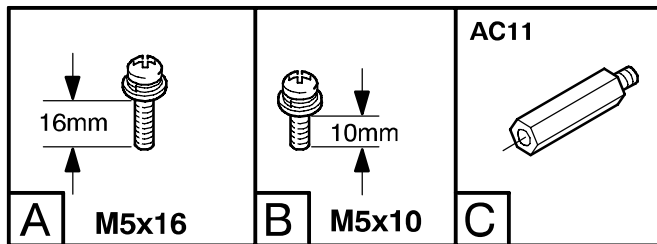
SPARE PARTS SETS

Item	Qty	Ordering no.	Denomination	Notes
AC50	1	0460 653 880	Power board kit	Includes item AC4, AC5, screws (type A and B), thermal compound and roller
		0458 910 002	Roller handle	For the roller in the spare parts sets above
		0192 058 101	Thermal compound	




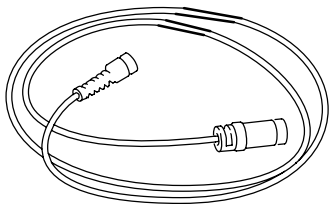
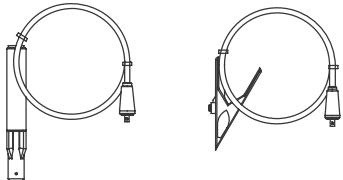
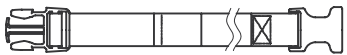

Arc 251i



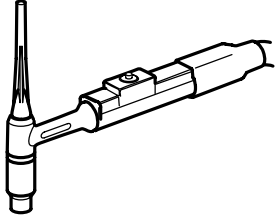
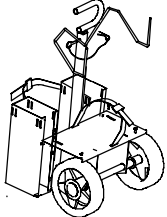

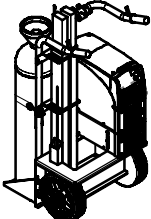
AH 0892



Accessories

	<p>Remote control unit AT1 0459 491 896 MMA and TIG: setting of current</p>
	<p>Remote control unit AT1 CF 0459 491 897 MMA and TIG: rough and fine setting of current</p>
	<p>Foot pedal FS002 with 5 m cable 0349 090 886</p>
	<p>Remote cable 12 pole – 8 pole</p> <p>5 m 0459 552 880 10 m 0459 552 881 15 m 0459 552 882 25 m 0459 552 883</p>
	<p>Welding cable kit 0700 006 902 Return cable kit 0700 006 903</p>
	<p>Cable holder 0460 265 002</p>
	<p>Shoulder strap 0460 265 003</p>

Arc 251i

	<p>Tig torch TXH 150 4 m 0460 011 843 Tig torch TXH 150 8 m 0460 011 883 Tig torch TXH 200 4 m 0460 012 841 Tig torch TXH 200 8 m 0460 012 881</p>
	<p>Trolley for 5-10 litre gas cylinder 0459 366 885</p>
	<p>Trolley for 20-50 litre gas cylinder 0459 366 886</p>
	<p>Trolley for 20-50 litre gas cylinder 0460 330 880</p>

