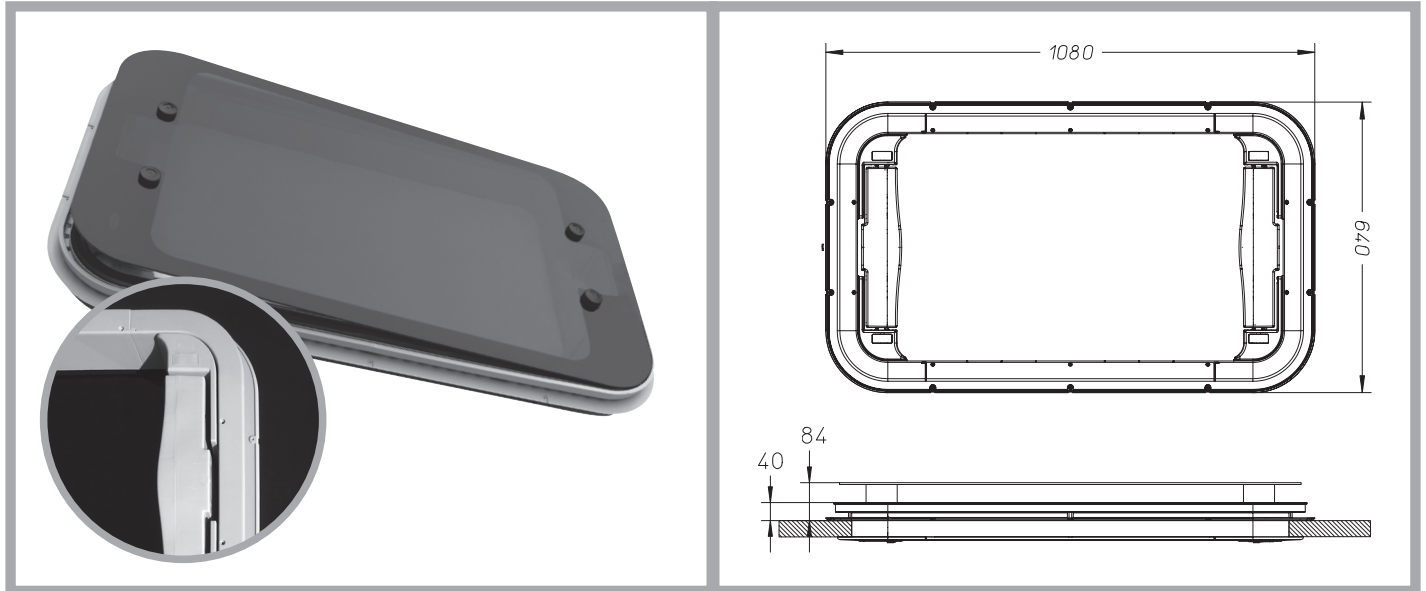


<u>Dakluiken</u>	<u>Dachluken</u>	<u>Roof Hatches</u>
	970 x 530	Electric

EMC APPROVED



TECHNICAL DETAILS

Part. Nr.	Description	Aperture Size	Radius	Remarks
90-6000-E	Roof Hatch Electric 24 Volt*	970 ⁺¹⁰ ₋₀ x 530 ⁺⁵ ₋₀	R80	UV Transmission 6%, Heat Transmission 16%, Light Transmission 17%

* For 12 Volt application, use our 12V to 24V Converter (89-STEP12-24)

- Emergency exit according EC2001/85
- Glass Dome homologated ECE 43R
- Standard Dark tinted glass
- Homologated according EC 2004/104
- Suits roof thickness 30mm - 70mm
- High Quality Gaskets
- Internal frame easy to mount in outside frame
- Pre-drilled mounting holes in outside frame

*** Use always our control unit 30-6000 in combination with the electric roofhatch!**

TECHNISCHE VERANDERINGEN VOORBEHOUDEN!

TECHNISCHE ANDERUNGEN VORBEHALTEN!

TECHNICAL CHANGES RESERVED!