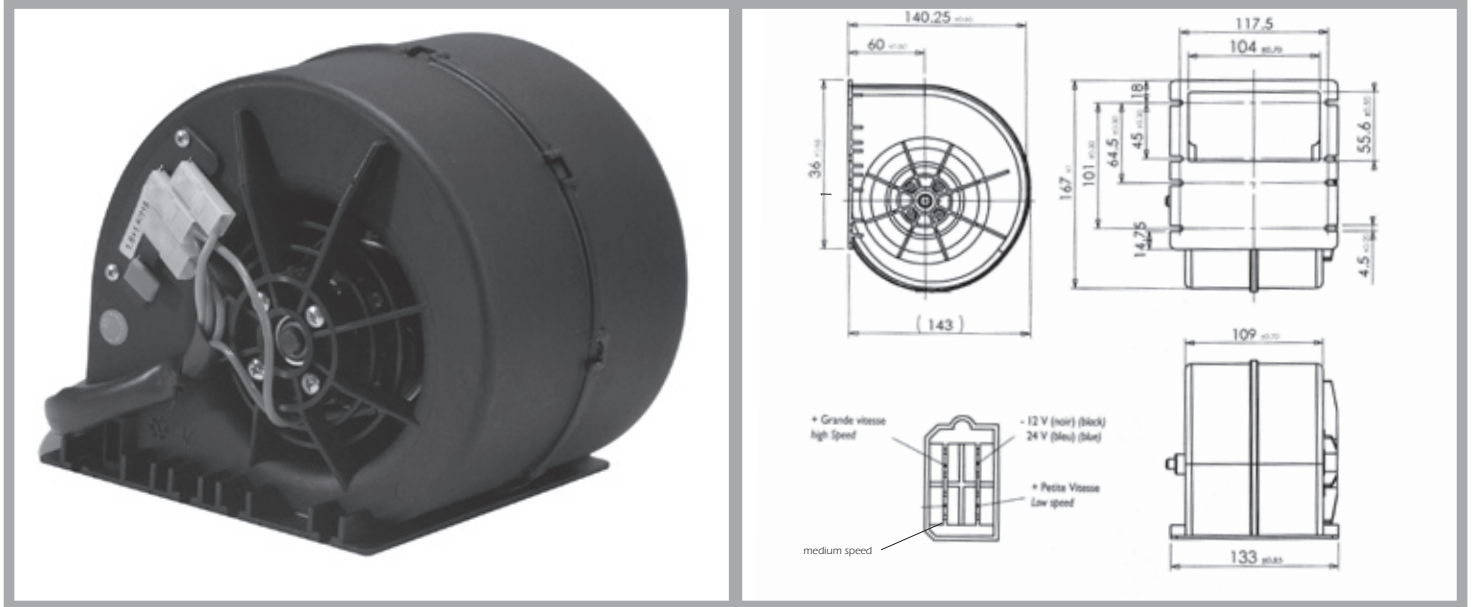


Radiaal ventilatoren	Radial Lüfter	Radial Ventilator
		Single

EMC APPROVED



TECHNICAL DETAILS

Part. Nr.	Description	Voltage V	Air flow m ³ /h	Weight kg	Watt W
04-8705	Radial Blower, 3 speeds	12	538	1,2	250
04-8710	Radial Blower, 3 speeds	24	538	1,2	250

Part. Nr.	Nominal speed RPM
04-8705	3700
04-8710	3700

Static Pressure: 1 mmH₂O=0.04 In H₂O=9.8 Pa
Air Flow Rate: 1 m³/h=0.59 cfm

04-8705		
Static Pressure mmH ₂ O	Air Flow Rate m ³ /h	Current A
TEST VOLTAGE: 13.0 VDC		
0	500	18.0
10	480	17.0
20	450	16.0
30	420	15.2
40	380	14.0
50	330	13.0
60	275	11.8
70	200	10.0
80	55	7.0
83	0	6.0

04-8710		
Static Pressure mmH ₂ O	Air Flow Rate m ³ /h	Current A
TEST VOLTAGE: 26.0 VDC		
0	510	8.3
10	480	7.9
20	450	7.5
30	415	7.1
40	380	6.6
50	340	6.2
60	260	5.2
70	140	4.0
78	0	2.8

OPTIES	OPTIONEN	OPTIONAL
		Rotary switch 4 positions On/off switch

TECHNISCHE VERANDERINGEN VOORBEHOUDEN!

TECHNISCHE ANDERUNGEN VORBEHALTEN!

TECHNICAL CHANGES RESERVED!



G&C Systems B.V.
Kazemat 7
3905 NR VEENENDAAL
The Netherlands

Phone: +31 (0)318 576744
Fax: +31 (0)318 576733
Internet: www.gnc-systems.com
E-mail: info@gnc-systems.com

Radiaal ventilatoren / Radial Lüfter / Radial Ventilator

Hoofdstuk 4.2